

# XCHWM3 XGBWM3 LED SERIES INSTALLATION & ASSEMBLY INSTRUCTIONS

- WARNING:** BEFORE PROCEEDING, READ ALL INSTRUCTIONS CAREFULLY TO INSURE PROPER AND SAFE INSTALLATION.
- WARNING:** RISK OF FIRE OR ELECTRICAL SHOCK. DISCONNECT POWER BEFORE INSTALLING OR SERVICING.
- WARNING:** RISK OF ELECTRICAL SHOCK.
- WARNING:** ALL WIRING TO BE PERFORMED PER NATIONAL ELECTRICAL CODE AND LOCAL CODE BY A QUALIFIED ELECTRICIAN.
- WARNING:** VERIFY THAT SITE INPUT VOLTAGE MATCHS DRIVER VOLTAGE RATING BEFORE WIRING.
- WARNING:** FAILURE TO FOLLOW THE INSTRUCTIONS COULD RESULT IN DAMAGE TO THE PRODUCT & VOID ALL WARRANTIES!
- NOTE:** KEEP THESE INSTRUCTIONS FOR FUTURE REFERENCE.

## LUMINAIRE ASSEMBLY:

**TOOLS REQUIRED:** • 5/16 NUT DRIVER • SPIRIT LEVEL

1. REMOVE LUMINAIRE AND MOUNTING PLATE FROM CARTON. PLACE LUMINAIRE ON CARDBOARD TO PROTECT FINISH. POSITION LUMINAIRE SO CLAMP SCREWS ARE FACING UP. SEE FIGURE 1.
2. LOOSEN 2 CLAMP SCREWS ON BACK OF LUMINAIRE, SO THAT NO SCREW THREADS ARE SHOWING PAST PEM NUTS. SEE FIGURE 1A. SET MOUNTING PLATE AND GASKET ASIDE. NOTE: DO NOT REMOVE SCREWS OR CLAMP!

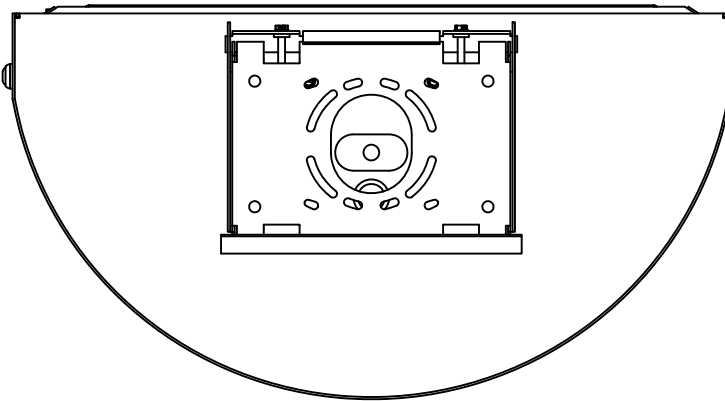


FIGURE. 1

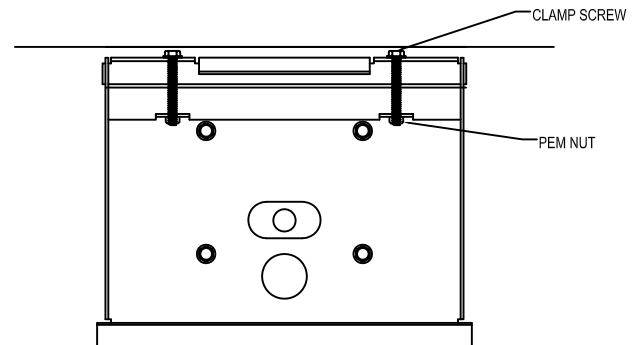


FIGURE. 1A

3. MOUNT EITHER AN OCTOGONAL OR SQUARE JUNCTION BOX (NOT SUPPLIED) TO WALL (RECESSED OR SURFACE). SEE FIGURE 2. NOTE: IF USING OPTIONAL SURFACE WIRING BOX, MOUNT TO WALL NOTCH-SIDE DOWN, THEN PROCEED TO STEP8. SEE FIGURE 2A.
4. PLACE GASKET OVER JUNCTION BOX OPENING. SECURE LUMINAIRE MOUNTING PLATE (SUPPLIED) TO JUNCTION BOX TEMPORARILY USING JUNCTION BOX SCREWS. MAKE SURE MOUNTING PLATE'S LONGEST SIDES ARE RUNNING HORIZONTAL, NOT VERTICAL. SEE FIGURE 3.

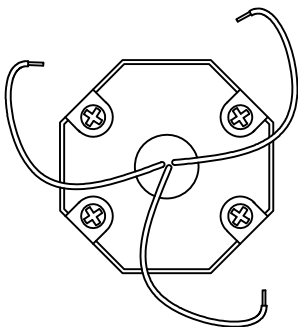


FIGURE. 2

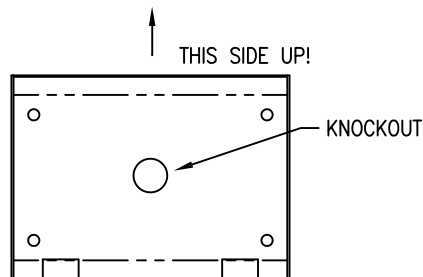


FIGURE. 2A

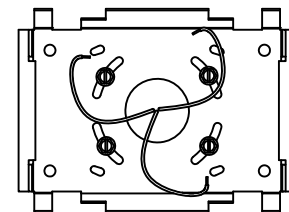


FIGURE. 3



A Company with a *Smart Vision*

INSTALLATION QUESTIONS?  
CALL LSI FIELD SERVICE  
800-436-7800 EXT 3300  
FAX 513-984-9723

5. LEVEL MOUNTING PLATE TO WALL USING A SPIRIT LEVEL. SEE FIGURE 4.

6. IF JUNCTION BOX IS RECESSED INTO WALL (FLUSH WITH WALL SURFACE), MARK 4 LARGE HOLES ONTO WALL. SECURE PLATE TO WALL WITH SUITABLE FASTENERS AND ANCHORS. SEE FIGURE 5. WARNING: DO NOT RELY ON JUNCTION BOX SCREWS ALONE TO SECURE MOUNTING PLATE TO WALL! PROCEED TO STEP 8.

7. IF JUNCTION BOX IS SURFACE-MOUNTED TO WALL, SECURE MOUNTING PLATE TO JUNCTION BOX. PROCEED TO STEP 8.

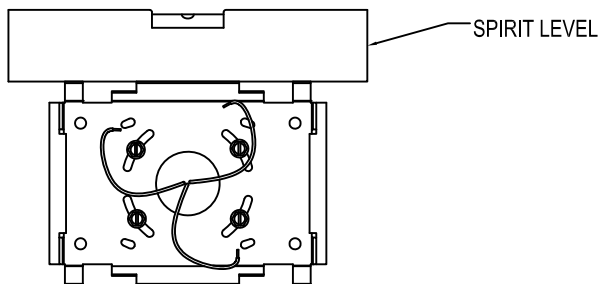


FIGURE. 4

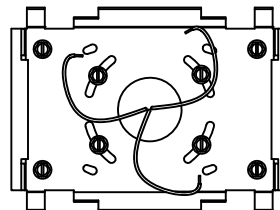


FIGURE. 5

8. POSITION LUMINAIRE BACK NEAR MOUNTING PLATE. WIRE PER LOCAL AND NATIONAL ELECTRIC CODE. .

**WIRING:**



**WARNING: VERIFY THE SITE INPUT VOLTAGE. MAKE SURE IT MATCHES THE VOLTAGE OF THE LUMINAIRE. WIRE PROTRUDING OUT OF THE WIREWAY HOLE IS MARKED TO SHOW LUMINAIRE VOLTAGE. PLACE AND SECURE ALL WIRING AND CONNECTIONS IN THE JUNCTION BOX.**

9. MOUNTING LUMINAIRE TO MOUNTING PLATE BY SLIDING FROM TOP TO BOTTOM OVER PLATE. SEE FIGURE 6. IMPORTANT: LUMINAIRE DOOR CANNOT BE POSITIONED FACING UP IN WET LOCATION APPLICATIONS.

10. TIGHTEN 2 CLAMP SCREWS EVENLY. SEE FIGURE 6A.

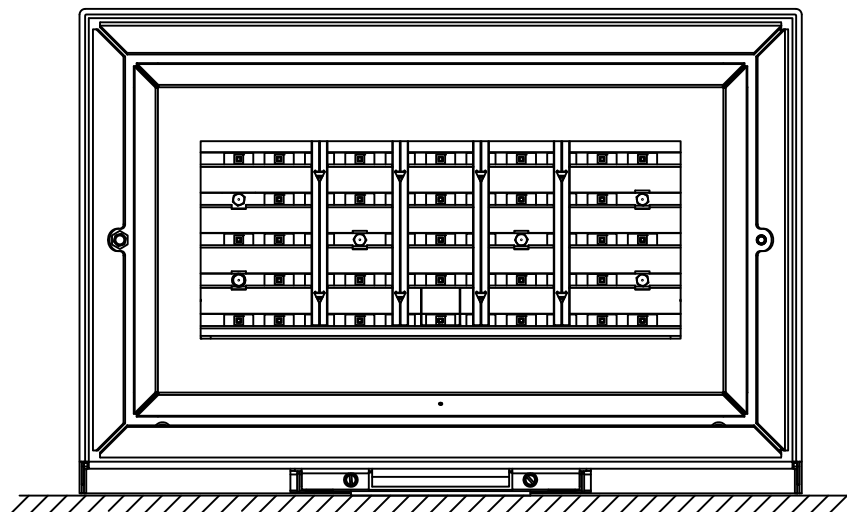


FIGURE. 6

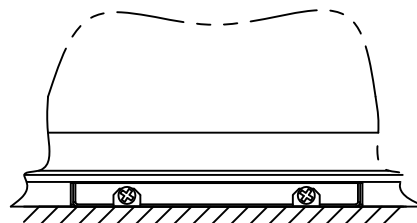


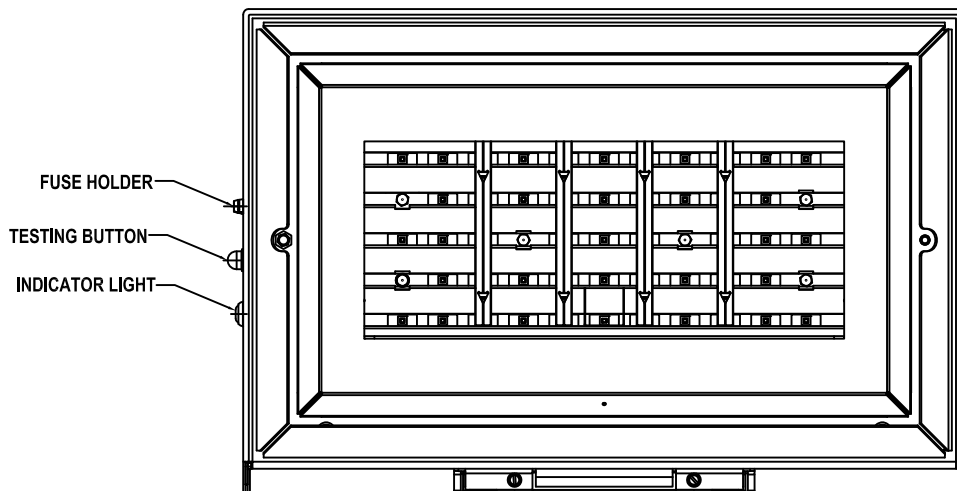
FIGURE. 6A

**FOR EMERGENCY BATTERY BACK UP OPTION ONLY:**

**NOTE: READ EMERGENCY BATTERY BACK UP MANUFACTURE'S INSTRUCTION FOR DETAILS.**

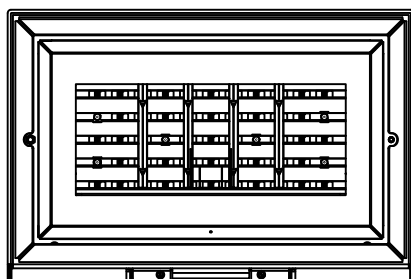
**FUSE INSTALLATION:**

1. COMPLETE FIXTURE INSTALLATION PER ABOVE INSTRUCTIONS.
2. AC POWER IS SUPPLIED.
3. TURN THE FUSE HOLDER CAP COUNTERCLOCKWISE AND PULL OUT TO REMOVE. INSERT FUSE INTO THE CAP. INSTALL THE FUSE HOLDER CAP & FUSE INTO THE FUSE HOLDER. TURN THE CAP CLOCKWISE.

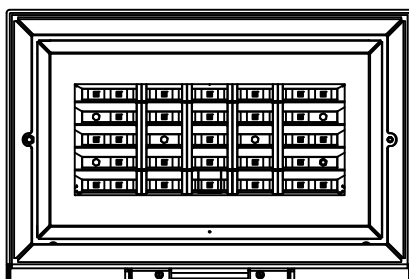


**FIGURE. 7**

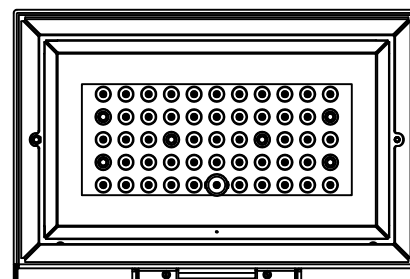
**OPTIC:**



**TYPE FT**



**TYPE WT**



**TYPE WW**