

Installation and Assembly Instructions

SCV Series UNV Retrofit to 2x2 Mount Box (LSI's Masters & Dakota, Whiteway, Jet Philips)

⚠ WARNING

Risk of fire, electric shock, injury or property damage

Risk of electric shock--Disconnect power to equipment before installing or servicing.
 Risk of fire or electric shock. Install this kit only in luminaires that have the construction features and dimensions shown in drawings and where the input rating of the retrofit kit does not exceed the input rating of the luminaire.
 To prevent wiring damage or abrasion, do not expose wiring to edges of sheet metal or other sharp objects.
 This equipment must be installed according to all applicable codes & ordinances.
 Installation and service of this equipment must be performed by qualified service personnel.
 Do not install damaged equipment. Read these instructions before installing, servicing or maintaining this equipment.
 Save these instructions for maintaining and servicing.

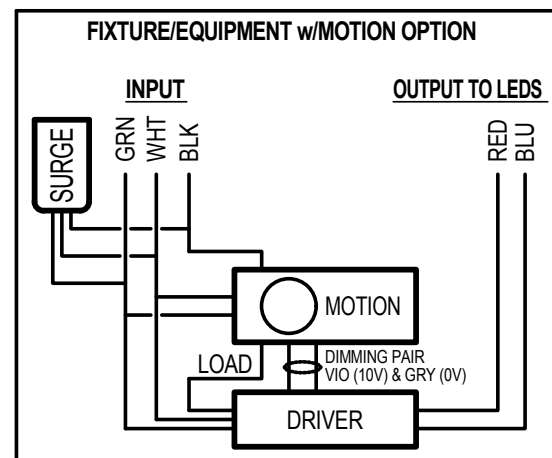
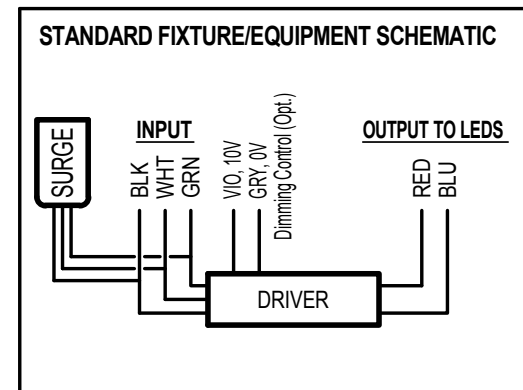
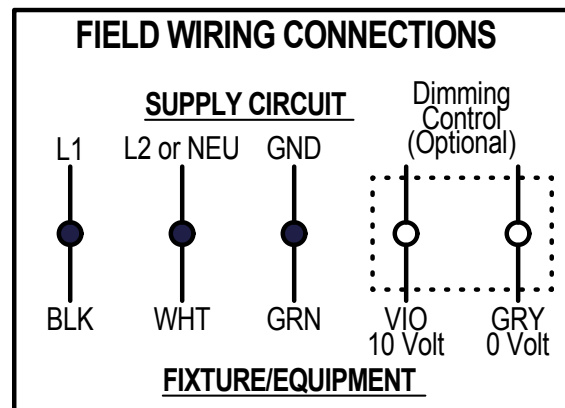
⚠ CAUTION

Failure to follow instructions or altering equipment could result in damage and void warranty.
 Edges may cut--wear gloves while handling or servicing this equipment.
 Inspect equipment for damage from shipping and handling.

LUMINAIRE PREPARATION

- Remove the luminaire from the carton and inspect luminaire for damage. Do not install a damaged luminaire.

WIRING INFORMATION



Installation Questions
 Call LSI Field Service Dept.
 800-436-7800 ext. 3300

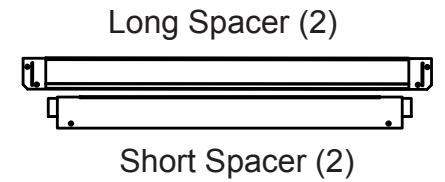
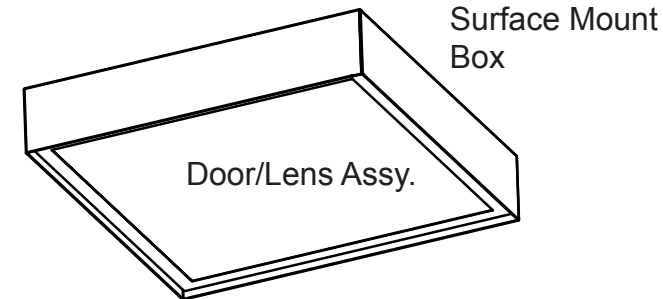
Installation and Assembly Instructions

SCV Series UNV Retrofit to 2x2 Mount Box (LSI's Masters & Dakota, Whiteway, Jet Philips)

UNV KIT (Part# 673427) includes the following:

- Retrofit Pan; (2) Long Spacers; (2) Short Spacers; (4) Screws, (4) Nuts

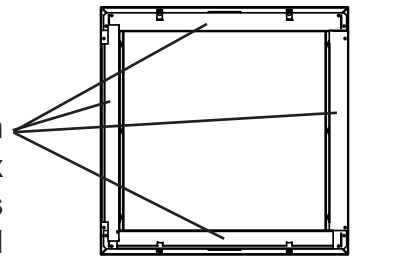
STEP 1: Existing Luminaire



STEP 2: ADD SPACERS to BOX OPENING to FIT PAN SIZE

- Remove existing door/lens assembly and existing internal components in preparation for retrofit installation.
- Un-wire primary wiring from existing ballast.
- Do not make or alter any open holes in an enclosure of wiring or electrical components during kit installation.
- Apply sealant (by others) to box and decking as necessary to prevent water entry from top side to bottom side of canopy.

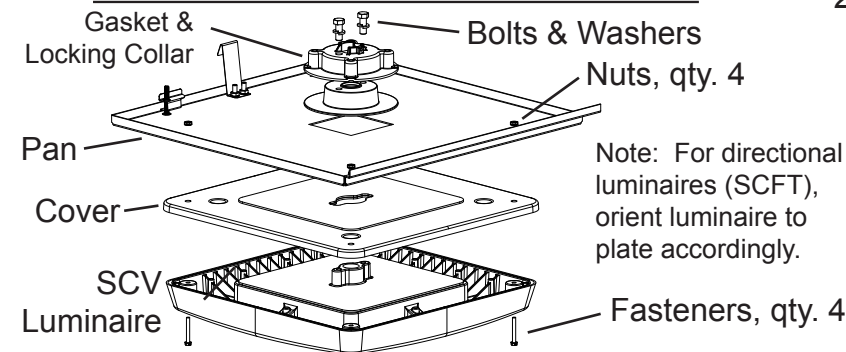
Position and fasten spacers inside of box on rim (use spacers as needed, 2 long and 2 short provided for varying box sizes)



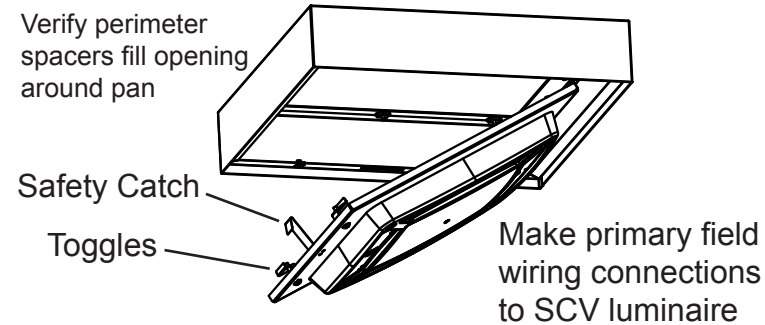
Bottom View of Box

21-3/4" Sq. Box: (1) short & (1) long.
 23" Sq. Box: (2) short & (2) long.
 21" Sq. Box: None

STEP 3: ASSEMBLE LUMINAIRE TO PAN

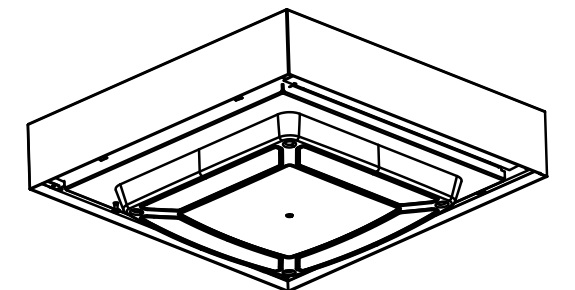


STEP 4: POSITION PAN/LUMINAIRE IN BOX



Installation Questions
 Call LSI Field Service Dept.
 800-436-7800 ext. 3300

STEP 5: COMPLETED INSTALLATION



Swing closed and tighten (2) screws/toggles
Make sure screw toggles are fully engaged on inside of rim!