

Installation and Assembly Instructions SCV Series Retrofit to Richmond (RECU) Box

⚠️ WARNING

Risk of fire, electric shock, injury or property damage

Risk of electric shock--Disconnect power to equipment before installing or servicing.

Risk of fire or electric shock. Install this kit only in luminaires that have the construction features and dimensions shown in drawings and where the input rating of the retrofit kit does not exceed the input rating of the luminaire.

To prevent wiring damage or abrasion, do not expose wiring to edges of sheet metal or other sharp objects.

This equipment must be installed according to all applicable codes & ordinances.

Installation and service of this equipment must be performed by qualified service personnel.

Do not install damaged equipment.

Read these instructions before installing, servicing or maintaining this equipment.

Save these instructions for maintaining and servicing.

⚠️ CAUTION

Failure to follow instructions or altering equipment could result in damage and void warranty.

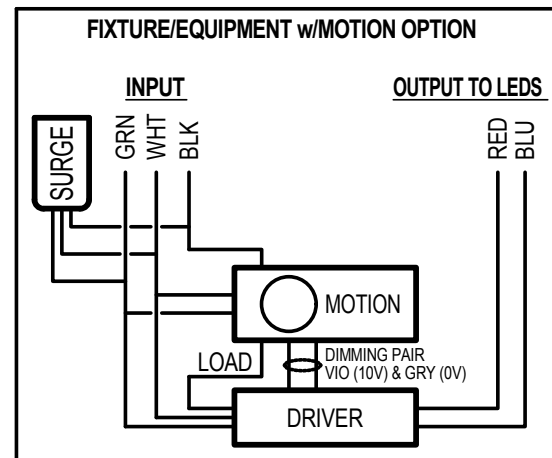
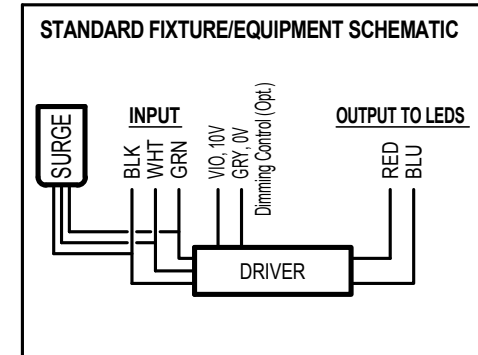
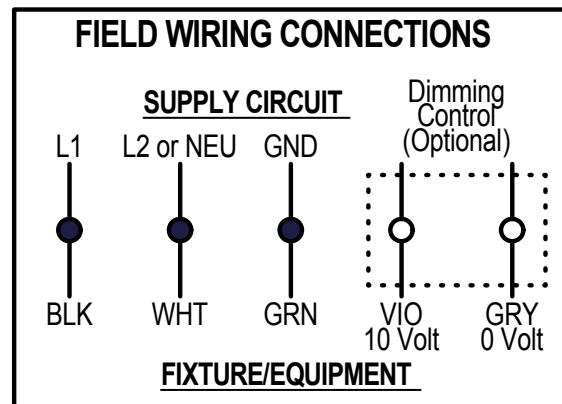
Edges may cut--wear gloves while handling or servicing this equipment.

Inspect equipment for damage from shipping and handling.

LUMINAIRE PREPARATION

- Remove the luminaire from the carton and inspect luminaire for damage. Do not install a damaged luminaire.

WIRING INFORMATION



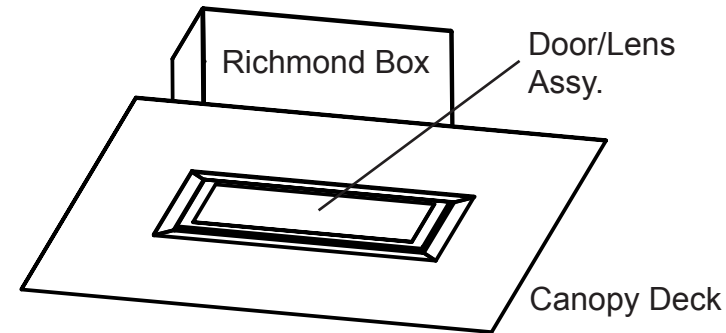
Installation Questions
Call LSI Field Service Dept.
800-436-7800 ext. 3300

Installation and Assembly Instructions SCV Series Retrofit to Richmond (RECU) Box

RECU KIT (Part# 673426) includes the following:

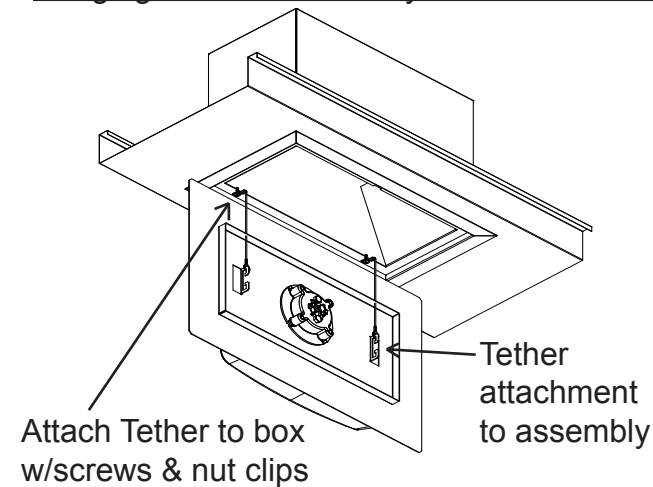
- Retrofit Plate; Retrofit Alignment Pan
- (2) Tethers, (2) Screws, (2) Nut Clips

STEP 1: Existing Luminaire



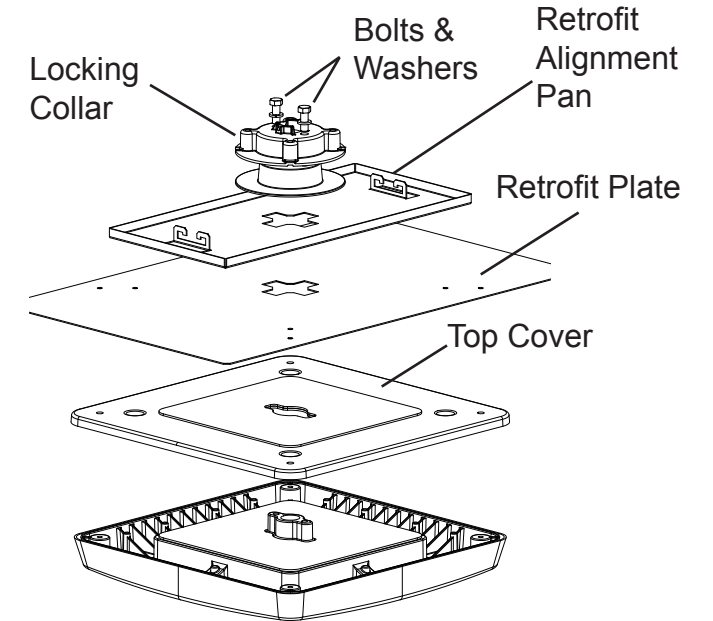
- Removing existing doors/lens assembly and existing internal components in preparation for retrofit installation.
- Prepare primary wiring for reconnection to retrofit luminaire.
- Do not make or alter any open holes in an enclosure of wiring or electrical components during kit installations.
- Apply sealant (by others) to box, decking, holes and fastener penetrations as necessary to prevent water entry from top side to bottom side of canopy.

STEP 3: Attach Tethers for Hands-Free Hanging and Make Primary Wire Connection



Installation Questions
Call LSI Field Service Dept.
800-436-7800 ext. 3300

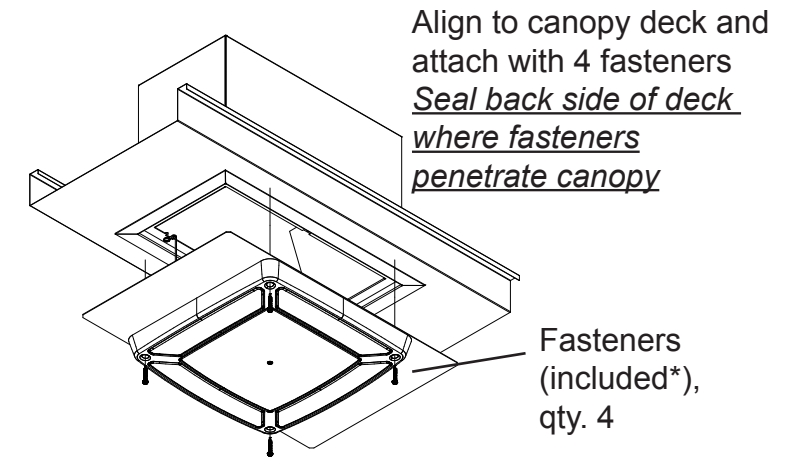
STEP 2: ASSEMBLE LUMINAIRE TO PAN



Note: For directional luminaires (SCFT), orient luminaire to plate accordingly.

Attach Tethers to Luminaire & Make Primary Wire Connections

STEP 4: ATTACH LUMINAIRE ASSY. TO DECK



*Fasteners provided for single deck steel canopies specifically. Suitability, strength, and installation workmanship of fasteners for any canopy/surface is the ultimate responsibility of the installing contractor. Other suitable fasteners may be required--provided by others.