

Installation and Assembly Instructions Scottsdale Vertex (SCV) Series



WARNING

Risk of fire, electric shock, injury or property damage

Risk of electric shock--Disconnect power to equipment before installing or servicing.
This equipment must be installed according to all applicable codes & ordinances.
Installation and service of this equipment must be performed by qualified service personnel.
Do not install damaged equipment.
Read these instructions before installing, servicing or maintaining this equipment.
Save these instructions for maintaining and servicing.

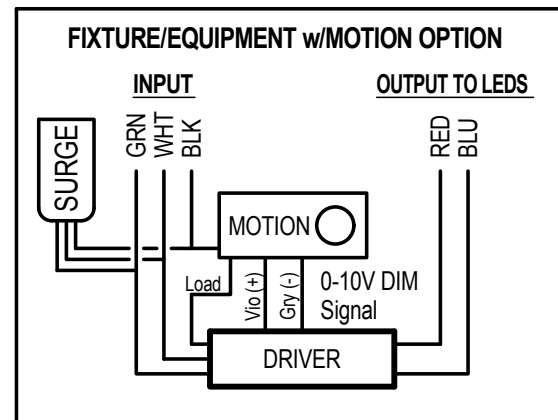
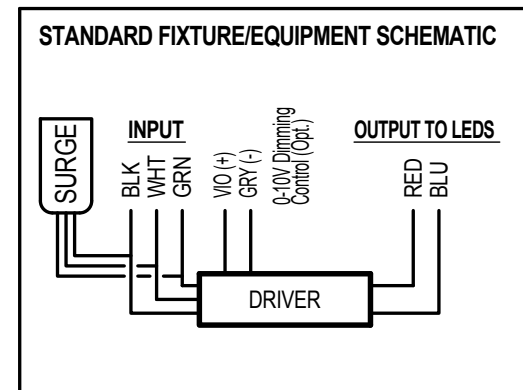
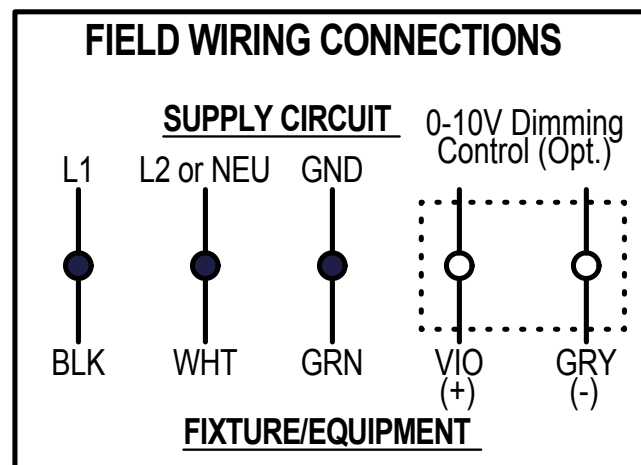
CAUTION

Failure to follow instructions or altering equipment could result in damage and void warranty.
Edges may cut--wear gloves while handling or servicing this equipment.
Inspect equipment for damage from shipping and handling.

LUMINAIRE PREPARATION

1. Remove the luminaire from the carton and inspect luminaire for damage. Do not install a damaged luminaire.
2. Identify which model has been ordered and determine mounting method for appropriate mounting instructions below.

WIRING INFORMATION

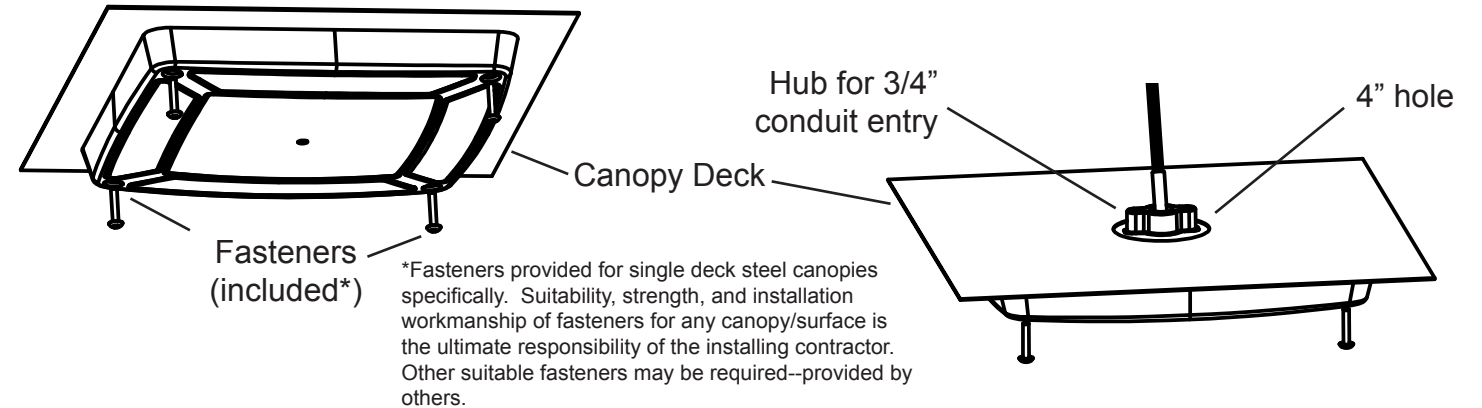


Installation Questions
Call LSI Field Service Dept.
800-436-7800 ext. 3300

Installation and Assembly Instructions Scottsdale Vertex (SCV) Series

Step 1: Below Canopy

1. Drill 4" hole in canopy deck to receive luminaire hub (position of hole is center of luminaire).
2. Align fixture to 4" hole in canopy. Note: For directional luminaire (SCFT), orient luminaire to canopy accordingly--use arrows located in the corners of the SCFT optical lenses.
3. Attach luminaire to canopy deck with 4 suitable fasteners*.



ACCESSORY (order separately)

Junction Box Kit includes:

- Part# 687461
- Junction Box
 - Cover

Parts included:

- Locking Collar
- Gasket
- Fasteners (2 Bolts & 2 Washers)
- Conduit & Conduit Nuts

Junction Box & Cover

Conduit Nuts

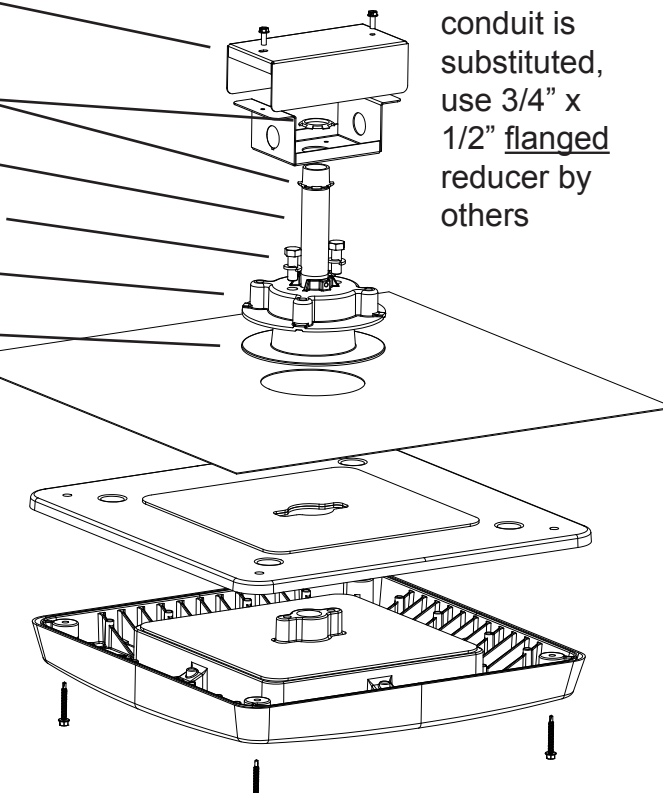
3/4" Conduit**

Bolts & Washers

Locking Collar

Gasket

**If 1/2" conduit is substituted, use 3/4" x 1/2" flanged reducer by others



Installation Questions
Call LSI Field Service Dept.
800-436-7800 ext. 3300