

INSTALLATION AND ASSEMBLY INSTRUCTIONS

COURTSIDER® XL SERIES



Listed for wet locations.

WARNING: Risk of fire or electrical shock. Disconnect power before installing or servicing.

WARNING: Verify the existing input voltage and choose matching voltage on Multi-tap ballast before wiring.

POLE FOUNDATION

The width and depth of the pole foundations for specific installations can best be furnished by consulting engineers familiar with local soil conditions. **Note: The concrete foundation should be reinforced for the full depth below grade. Concrete should be poured in undisturbed soil; soil should not be fresh fill.**

1. See chart below. Anchor bolts provided should be set into the foundation on an 11" bolt circle diameter. Bolts should be positioned so they are square with court edge. See Figure 1.
2. Bolts should project above top of foundation. Two sets of nuts are provided for each bolt for pole leveling. Stand pole on anchor bolts and plumb using nuts and washers provided. See Figure 2.
3. For direct burial poles, pole shaft should be set to a depth of 4' into foundation. A 3" x 6" handhole and 3/4" coupling are provided for wiring purposes. See Figure 3.

Configuration	Anchor Bolt Size	Anchor Bolt Projection	Base Plate Dimensions	Base Plate Thickness
Single, D70, D180 (4" O.D.)	3/4" x 30"	3-1/4"	10-1/8" square	3/4"
Quad (5" O.D.)	1" x 36"	4"	10-1/8" square	1"

MOUNTING BRACKET TO POLE

1. Slip bracket over tenon on pole top. Position bracket square with court edge and tighten (8) set screws on bracket. See Figure 4.

MOUNTING LUMINAIRE TO BRACKET

1. Luminaire is supplied with mounting studs projecting from the rear of housing (see Figure 5). Position luminaire near bracket. Feed supplied pigtail wiring from luminaire to bracket.
2. Position luminaire so studs slide through holes in bracket plate. Studs are able to "float" on luminaire for leveling. Secure luminaire to bracket with stainless nuts and washers provided.
3. Releasing lens door fasteners, open door frame. Open ballast cover lid to gain access to ballast compartment.
Note: Field mounting connections are to be made in such a manner as to exclude water from wireway.

WIRING CONNECTIONS

WARNING: Risk of electrical shock. High temperature inside luminaire. Make certain that supply wiring is not "hot" before wiring. Luminaire may be equipped with a multi-tap ballast. It may be necessary to change ballast primary lead to match supply voltage. All unused ballast leads must be individually capped.

NOTE: Supplied pigtail wiring is rated 150 C!

1. Connect wiring according to local code and National Electrical Code.
2. Secure ballast lid.
3. Clean surface of reflector and inside/outside of door lens with soft cloth and non-ammonia, non-static cleaner.
4. Locate loosely-shipped lamp. Check to make sure lamp type and wattage are the same as shown on luminaire label.
5. To ensure best contact in socket, tighten, loosen, and re-tighten lamp. Wipe lamp with a soft, dry, clean cloth.
6. Close door frame and secure fasteners.
7. Loosen (8) set screws on bracket. Adjust orientation of luminaire and arm to proper alignment with court. Retighten (8) set screws.
8. Field-drill through tenon and secure bracket with supplied through-bolt. See Figure 6.
9. Install base cover if supplied.



INSTALLATION AND ASSEMBLY INSTRUCTIONS, con't.

COURTSIDER® XL SERIES

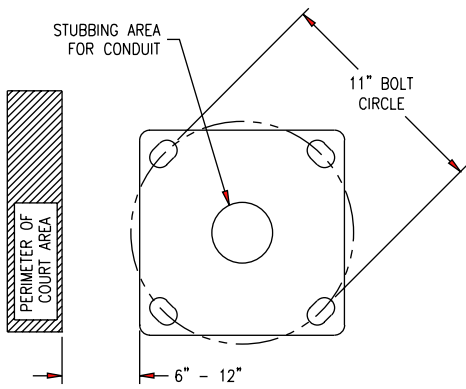


FIGURE 1

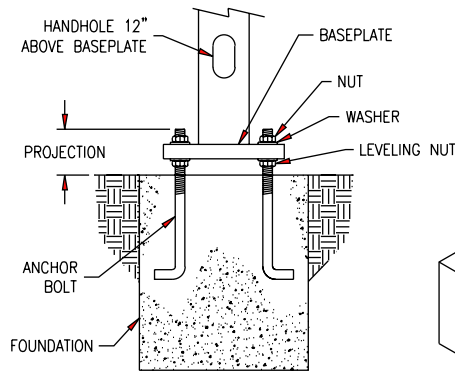


FIGURE 2

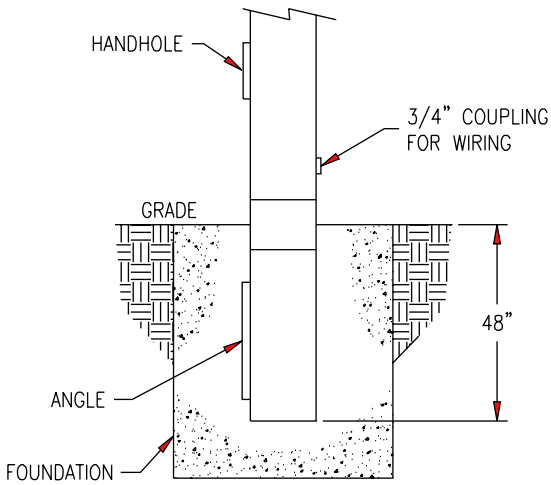
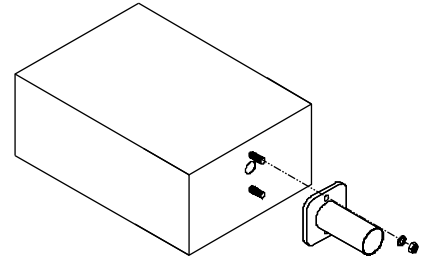


FIGURE 3

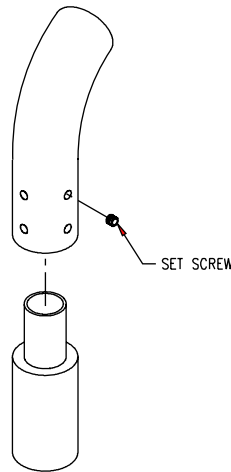


FIGURE 4

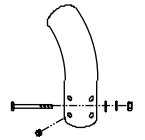


FIGURE 7

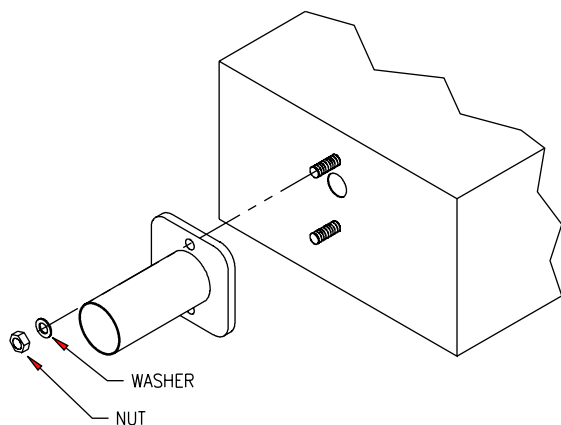
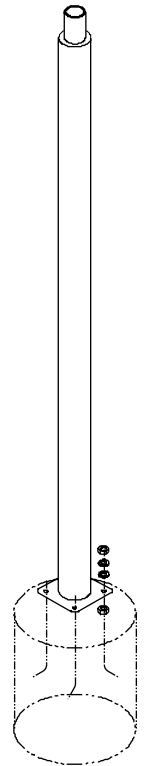


FIGURE 5

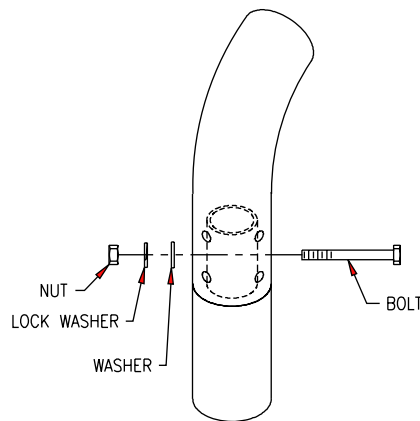


FIGURE 6

Installation Questions?
 Call LSI Field Service Department at:
 1-800-436-7800 Ext. 3300 Fax: 1-877-861-1368

