

Installation and Assembly Instructions Commercial Bollard (CBR7) Series

WARNING

Risk of fire, electric shock, injury or property damage

Risk of electric shock--Disconnect power to equipment before installing or servicing.
This equipment must be installed according to all applicable codes & ordinances.
Installation and service of this equipment must be performed by qualified service personnel.
Do not install damaged equipment.
Read these instructions before installing, servicing or maintaining this equipment.
Save these instructions for maintaining and servicing.

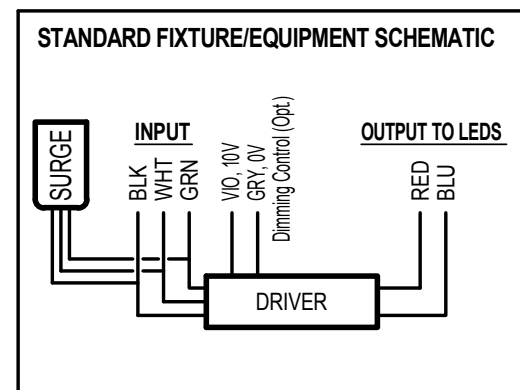
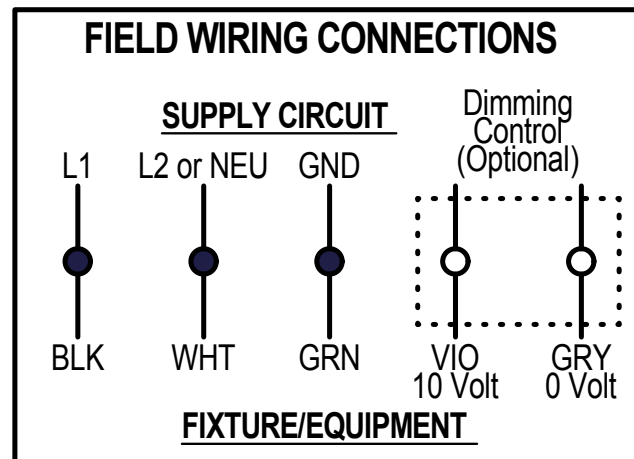
CAUTION

Failure to follow instructions or altering equipment could result in damage and void warranty.
Edges may cut--wear gloves while handling or servicing this equipment.
Inspect equipment for damage from shipping and handling.

LUMINAIRE PREPARATION

1. Remove the luminaire from the carton and inspect luminaire for damage. Do not install a damaged luminaire.

WIRING INFORMATION

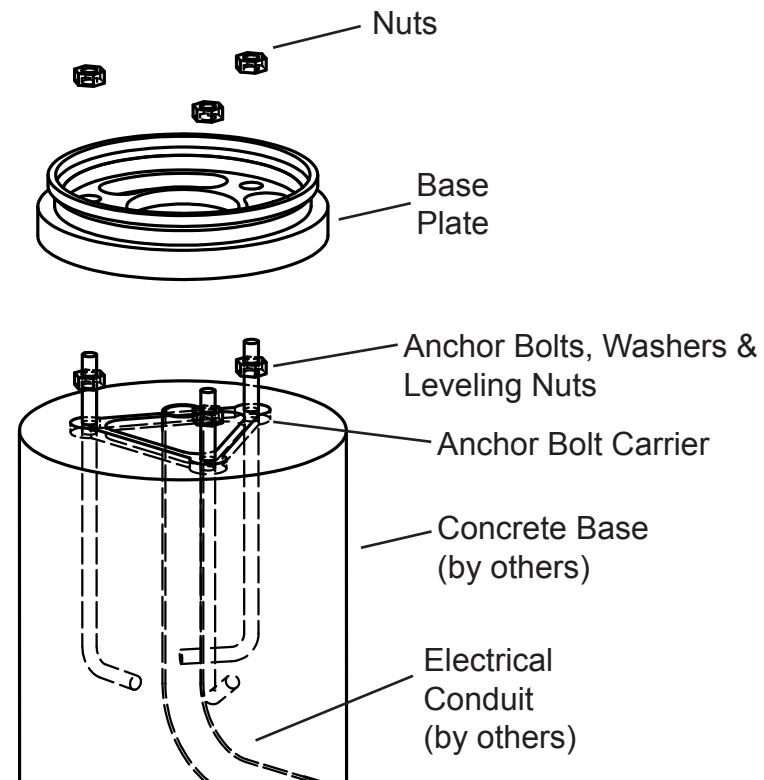


Installation Questions
Call LSI Field Service Dept.
800-436-7800 ext. 3300

Installation and Assembly Instructions Commercial Bollard (CBR7) Series

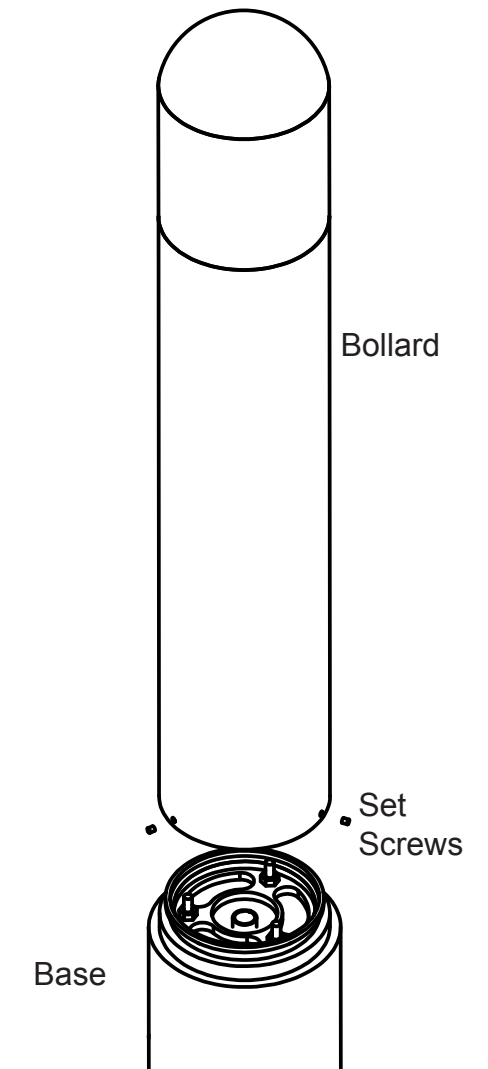
Step 1: Base Preparation

1. Use anchor bolt carrier to determine placement of anchor bolts in concrete. Anchor bolts should extend 1-1/2 to 2 inches above concrete and anchor bolt carrier should be embedded flush to concrete (this allows room for leveling nuts underneath base plate). Position electrical conduit in the center of the anchor bolts.
2. Once anchor bolts are set in cured concrete, place base plate over anchor bolts and level base plate with leveling nuts.
3. Place and tighten nuts securing the base plate to the foundation.



Step 2: Wire and Place Bollard

1. Lay bollard on its side next to base plate and make primary wiring connections.
2. Place bollard on base plate and secure bollard using (3) set screws at the base.



Installation Questions
Call LSI Field Service Dept.
800-436-7800 ext. 3300