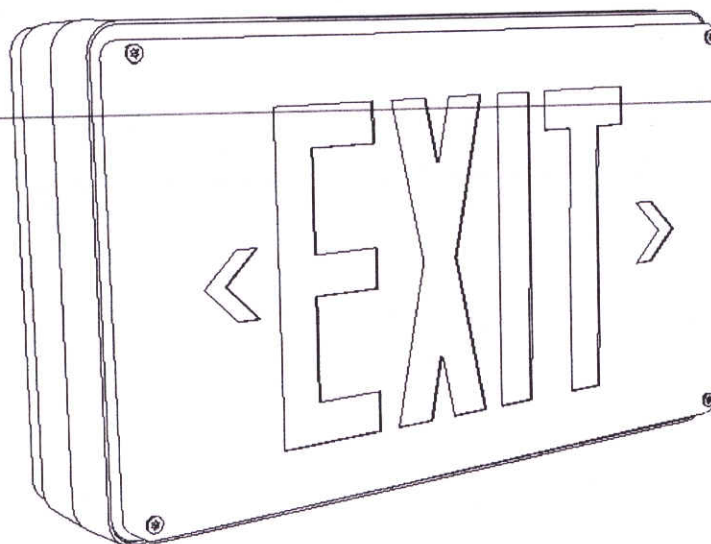


**INSTALLATION INSTRUCTIONS  
NAV LED EMERGENCY EXIT SIGNS  
NAV SERIES 120/277VAC**

---



**IMPORTANT SAFEGUARDS**

When using electrical equipment, basic safety precautions should always be followed including the following:

1. **READ AND FOLLOW ALL SAFETY INSTRUCTIONS**
2. Turn off power supply before attempting to install the unit.
3. Do not let power cords touch hot surfaces.
4. Do not mount near gas or electric heaters.
5. Equipment should be mounted in locations and at heights where unauthorized personnel will not readily subject it to tampering.
6. The use of accessory equipment not recommended by the Manufacturer., may cause an unsafe condition, and will void the unit's warranty.
7. Do not use this equipment for other than its intended purpose.
8. Qualified service personnel should perform servicing of this equipment.
9. Consult building code for approved wiring and installation
10. The fixture must be grounded to avoid potential electric shock

**SAVE THESE INSTRUCTIONS!**

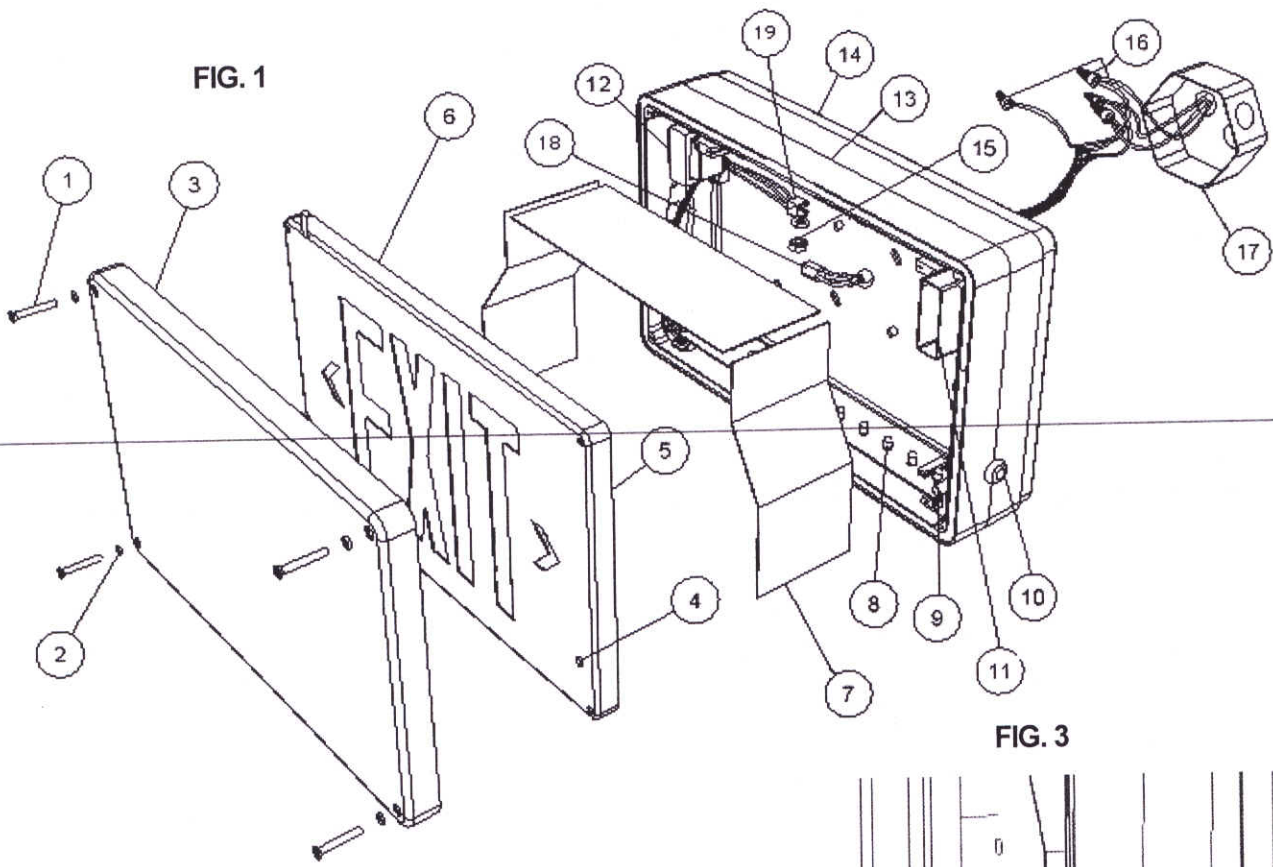
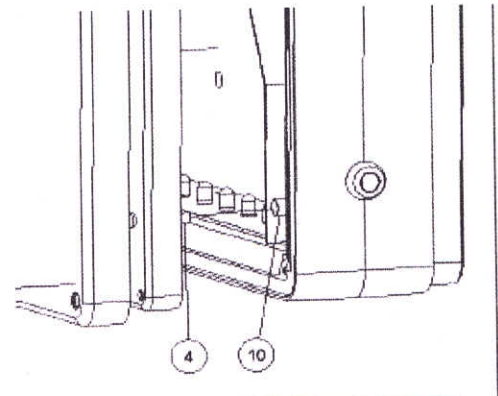


FIG. 1

FIG. 3

**WALL MOUNT INSTALLATION:**

1. Remove torx screws (1) to release clear face cover (3). There are 4 O-rings (2) inserted to the clear cover screw holes. Release the black stencil (6) from the clear face cover (3). Knockout to remove the chevron as necessary from the stencil. Peel off backing paper from the tape on the back of the stencil (6) and carefully position and stick the colored fibre (5) to the stencil.
2. Remove the back plate (14) knockouts using applicable knockout holes. Unscrew the cable harness (21) - see Fig. 2 from the canopy and secure it into the large centre Knockout with the lock nut (15). Plug harness into connector inside housing. Using silicone put a continuous bead around the outer edge of the back plate then secure the back plate and housing to the wall. Connect wire (16) as follows: Black – 120VAC or Orange - 277 VAC, White – Neutral, Green – Ground. See wiring diagram. *Caution! Failure to insulate unused wire may result in a shock hazard or unsafe condition as well as equipment failure.*
3. Replace faceplate, clear cover and torx screws. *Note: When installing the cover, be sure to align the light pipe (4) and LED indicator (9). See fig. 3*
4. Apply power.



**PARTS LIST**

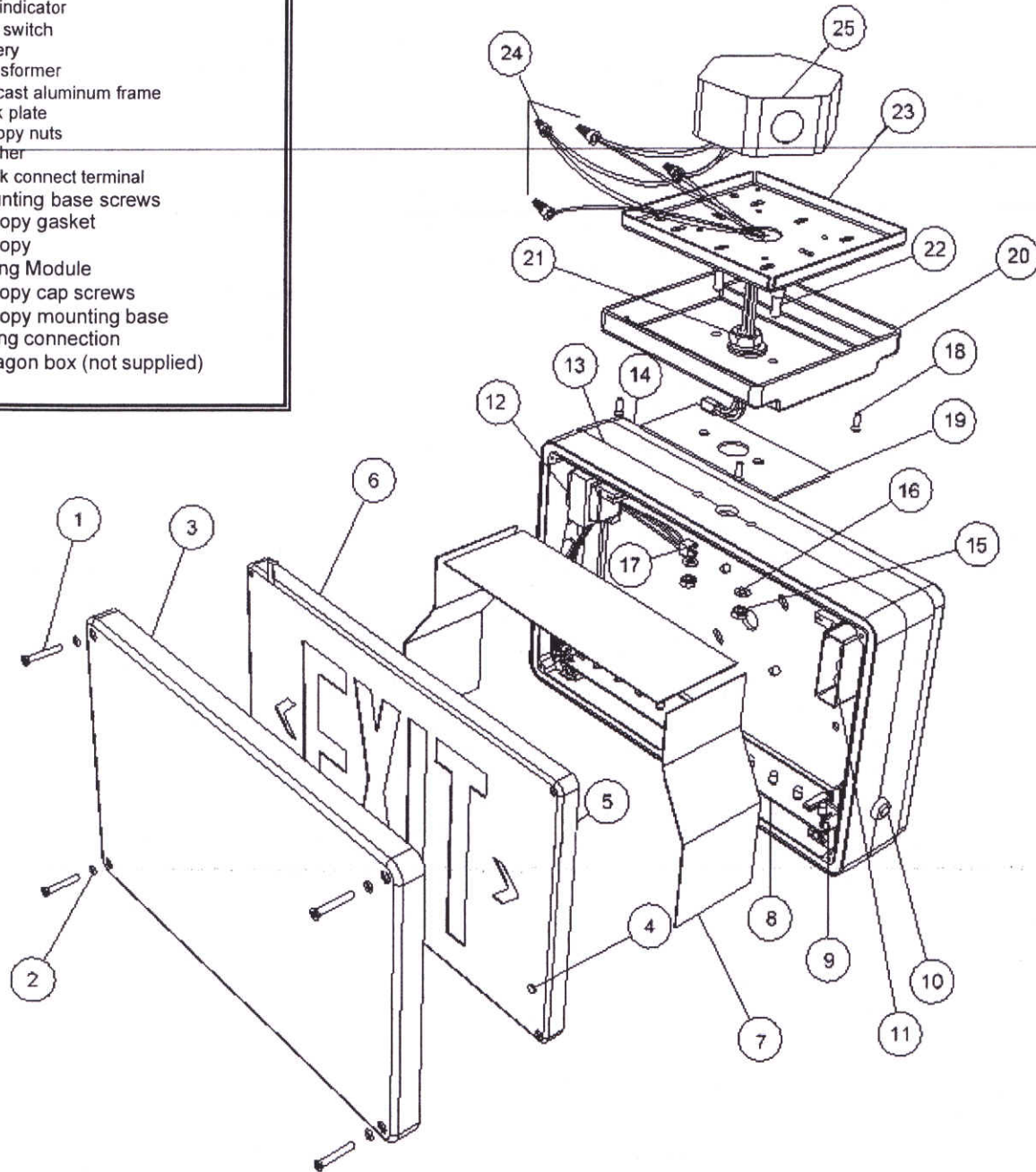
- |     |                            |
|-----|----------------------------|
| 1.  | Torx tamper proof screw    |
| 2.  | O-ring                     |
| 3.  | Clear face cover           |
| 4.  | Pipe light                 |
| 5.  | Colored Fibre              |
| 6.  | Black stencil              |
| 7.  | White strip                |
| 8.  | Led board                  |
| 9.  | Led indicator              |
| 10. | Test switch                |
| 11. | Battery                    |
| 12. | Transformer                |
| 13. | Die cast aluminum frame    |
| 14. | Back plate                 |
| 15. | Lock nut                   |
| 16. | Wiring                     |
| 17. | Octagon box (not supplied) |
| 18. | Four (4) Pin Plug          |
| 19. | Four (4) Pin Socket        |

## PARTS LIST

1. Torx tamper proof screws
2. O-ring
3. Clear face cover
4. Pipe light
5. Colored Fibre
6. Black stencil
7. White strip
8. Led board
9. Led indicator
10. Test switch
11. Battery
12. Transformer
13. Die cast aluminum frame
14. Back plate
15. Canopy nuts
16. Washer
17. Quick connect terminal
18. Mounting base screws
19. Canopy gasket
20. Canopy
21. Wiring Module
22. Canopy cap screws
23. Canopy mounting base
24. Wiring connection
25. Octagon box (not supplied)

## CEILING/END MOUNT INSTALLATION

FIG. 2



## CEILING/END MOUNT INSTALLATION:

1. Remove torx screws (1) to release clear cover (3). There are 4 O-rings (2) inserted to the clear cover screw holes. Release the black stencil (6) from the clear cover (3). Knockout to remove the chevron (5) as necessary from the stencil. (3) Peel off backing paper from the tape on the back of the stencil and carefully position and stick the colored fibre to the stencil.
2. To install canopy kit (13), 3 knockout on the top (for ceiling mount) or the 3 knockout on the side (for end mount). Position canopy gasket (19) and the canopy (20). Install the cap screws (22) and the washers (16). Attach canopy nuts (15) and then tighten. Install the wiring module (21). Install the canopy mounting base (23) to the octagon box (25) (not supplied). Connect wires as follows: Black - 120VAC or Orange - 277VAC, White - Neutral, Green - Ground. See wiring diagram.  
*Caution! Failure to insulate unused wire may result in a shock hazard or unsafe condition as well as equipment failure.*  
The mounting base can be rotated for the desired mounting angle. Install the canopy (20) to the mounting base (23) with the supplied screws (18). Connect the wiring module to the quick connect terminal (17) inside the unit.
3. *Note: When installing the cover, be sure to align the light pipe (4) and LED indicator (9). See fig. 3.*
4. Apply power.

## MAINTENANCE

The equipment is to be tested once a year in accordance with the code requirements. The equipment is to be repaired whenever the equipment fails to operate as intended during the duration test. Written records of test results and any repairs made must be maintained. Manufacturer strongly recommends compliance with these code requirements.

NOTE: The servicing of any parts should be performed by qualified service personnel only. The use of replacement parts not furnished by the manufacturer may cause equipment failure and will void the warranty.

