

**INSTALLATION AND ASSEMBLY INSTRUCTIONS  
AUL LED AUREUS SERIES**



**WARNING:** Failure to follow instructions could result in damage to product and void warranties!

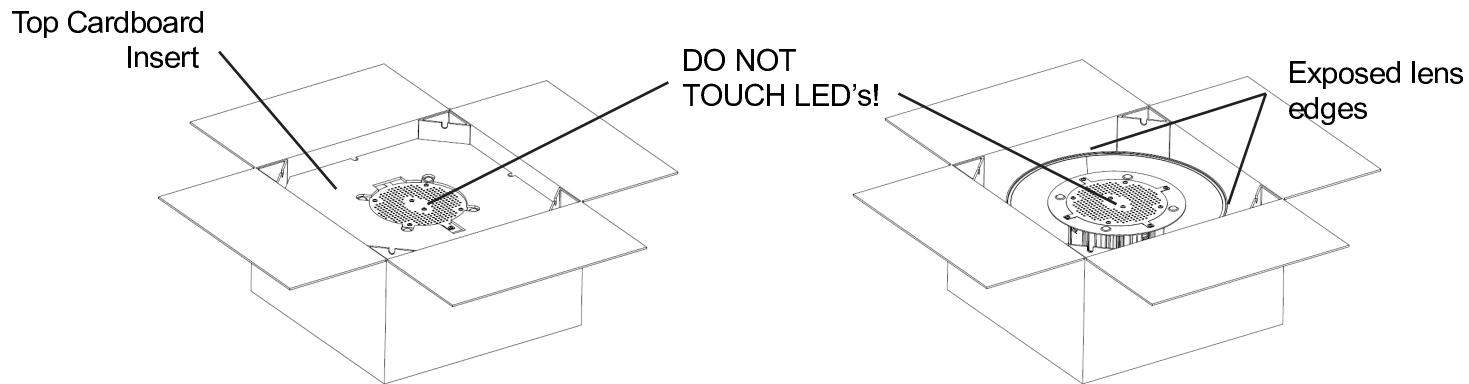
**WARNING:** Risk of fire or electrical shock. Disconnect power before installing or servicing.

**WARNING:** Wiring to be performed by Qualified, Licensed Electrician to NEC and local code!

**Installation Questions?**  
Call LSI Field Service Department at:  
1-800-436-7800 Ext. 3300  
Fax: 1-877-861-1368

**ALL MODELS (HCP, LCP, DIRECT, and PENDANT MOUNT)**

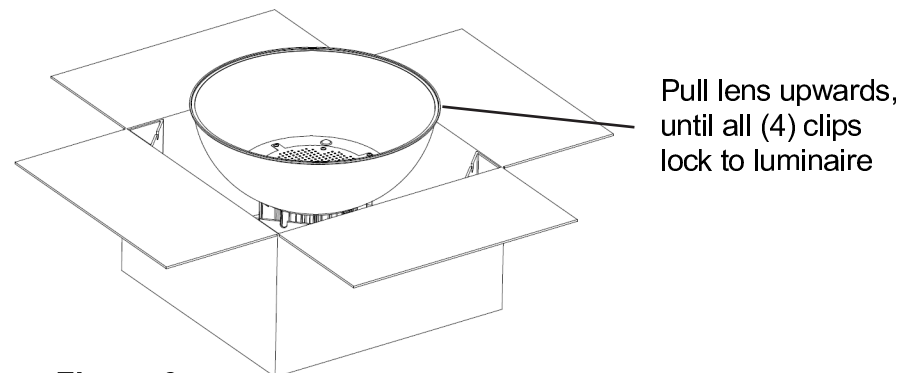
1. After opening carton top, remove top cardboard insert. **IMPORTANT! Do not touch the exposed LED's in center of luminaire!** See Figure 1. Removing this insert exposes the outer lens. See Figure 2.



**Figure 1**

**Figure 2**

2. With luminaire still in carton, pull up on lens perimeter. The lens will rise, and the luminaire will stay in carton. Continue pulling until lens snaps into place, becoming locked to luminaire. Once all (4) clips are in place, remove luminaire/lens assembly from carton. Place on protective surface, lens facing downward. See Figure 3.



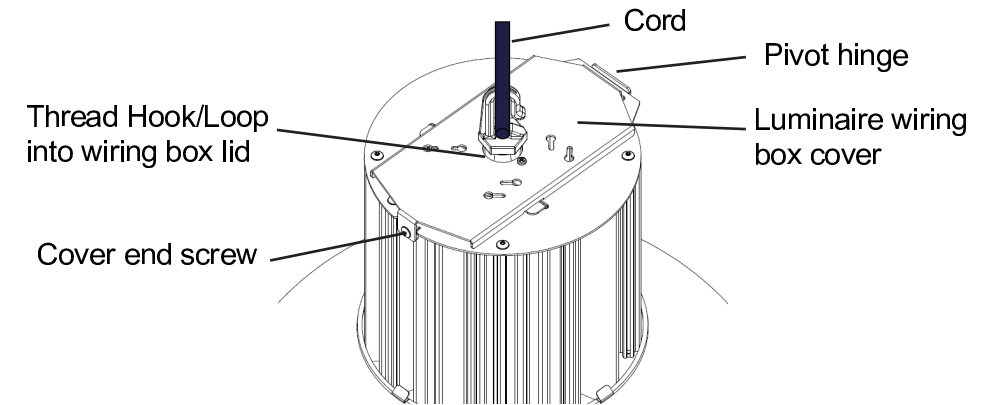
**Figure 3**

**AUL LED, cont'd.**

**AUL USING HCP or LCP OPTION (HOOK or LOOP, CORD, & PLUG)**

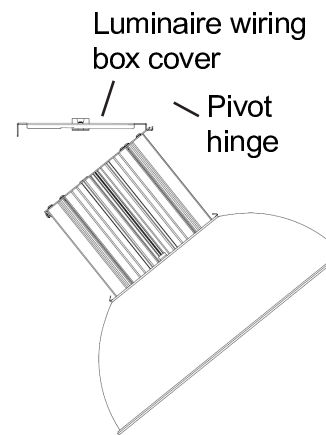
**NOTE: FOR DIRECT MOUNT, SEE PAGE 3. FOR PENDANT MOUNT, SEE PAGE 4.**

1. Hook / Loop is not factory-installed. Thread hook/loop into luminaire's wiring box cover. See Figure 3.

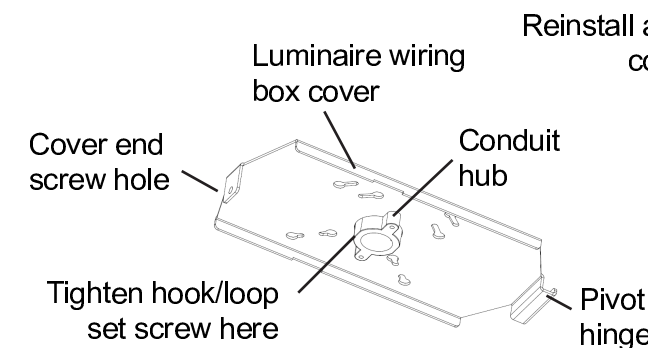


**Figure 3**

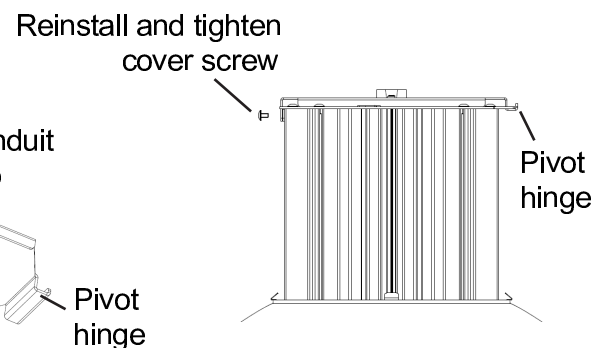
2. Hang luminaire from suitable surface, using hook / loop.
  3. Loosen screw in end of luminaire's wiring box cover and remove. Allow luminaire to hang from pivot hinge. See Figures 4 and 5.
  4. Tighten hook / loop set screw located on side of conduit hub. See Figure 5.
  5. Swing luminaire back up to luminaire wiring box cover. Secure cover to luminaire by reinstalling cover screw. See Figure 6.
4. Plug luminaire into outlet (supplied by others).



**Figure 4**



**Figure 5**



**Figure 6**

**NOTE: CORD AND HOOK/LOOP ARE NOT SHOWN IN FIGURES 4, 5, AND 6 FOR CLARITY!**

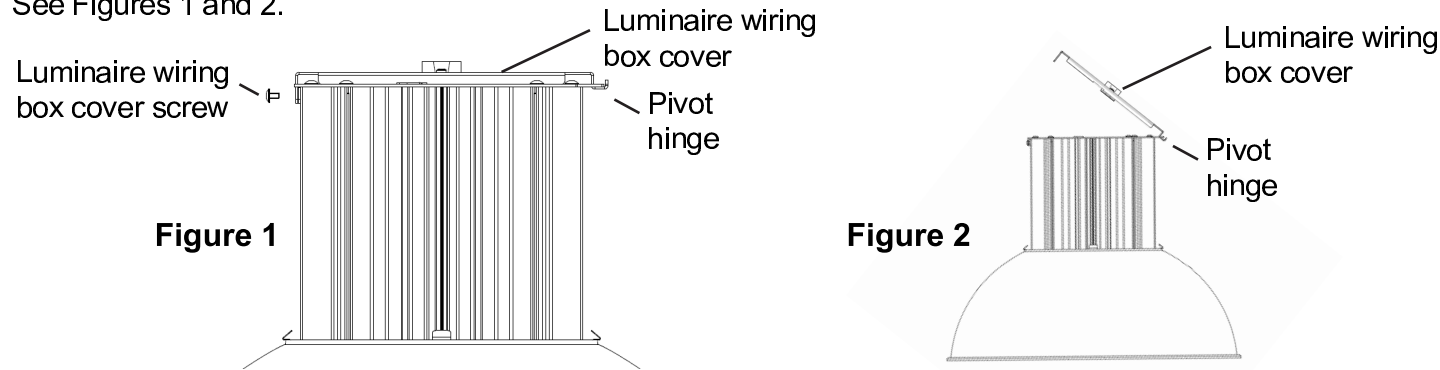


**AUL LED, cont'd.**

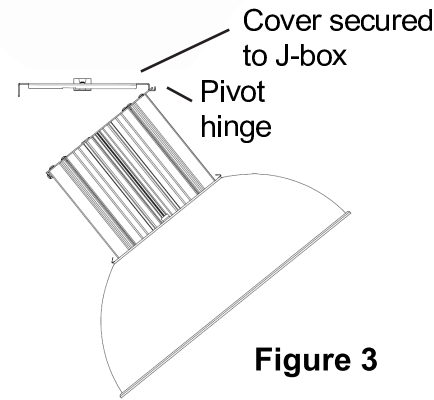
**DIRECT MOUNT MODEL**

**NOTE: FOR HCP/LCP MOUNT MODEL, SEE PAGE 2. FOR PENDANT MOUNT MODEL, SEE PAGE 4.**

1. Remove Luminaire wiring box cover by removing the cover end screw. Swing the cover up and off of pivot hinge. See Figures 1 and 2.



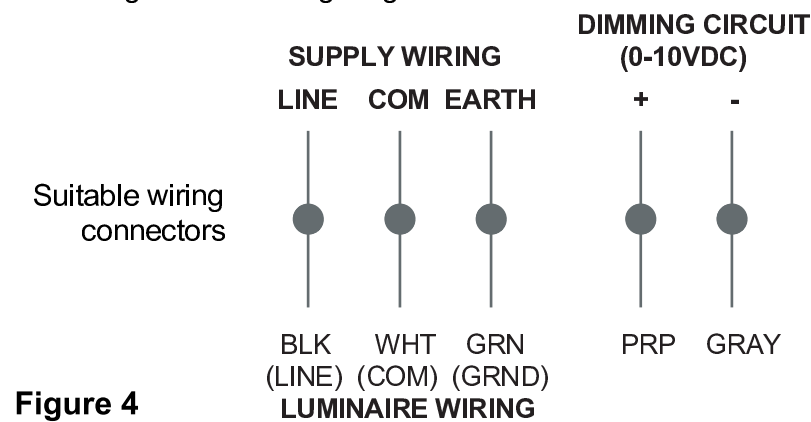
2. Secure cover to J-box (not supplied) with suitable screws (not supplied). Note orientation and position, so that it will re-connect to luminaire. Use all (4) slots in cover to attach to J-box. Hang Luminaire onto Cover, so that it suspends from pivot hinge. See Figure 3.



**IMPORTANT! The following instructions are for qualified electricians ONLY!**

**IMPORTANT! Match incoming supply voltage to luminaire voltage rating!**

3. Luminaire leads are now exposed. Perform wiring per National Electrical Code and local code. Use suitable wiring connectors. See Figure 4 for wiring diagram.



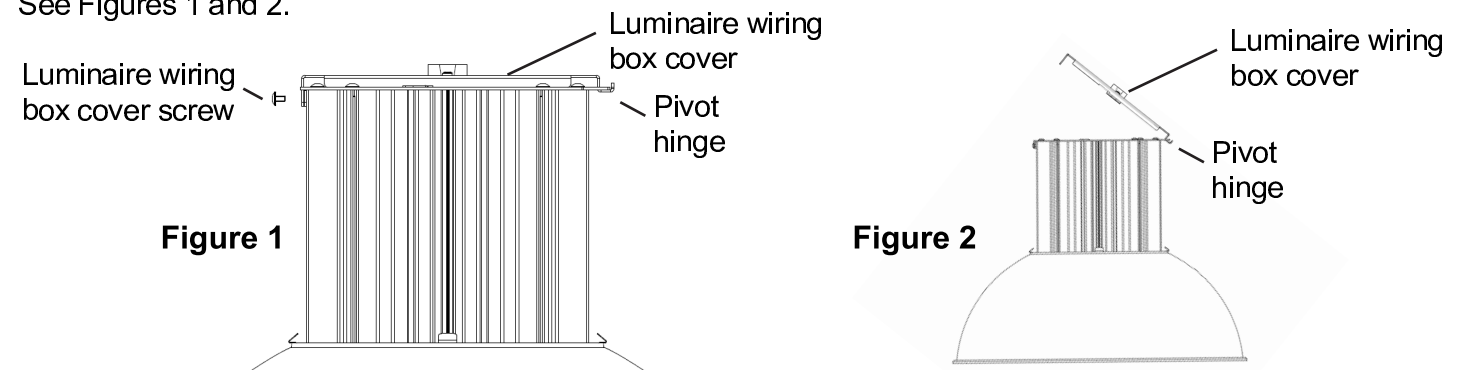
4. Reinstall driver mount plate, then swing luminaire up to Cover plate. Re-install screw into luminaire to secure to Cover Plate.

**AUL LED, cont'd.**

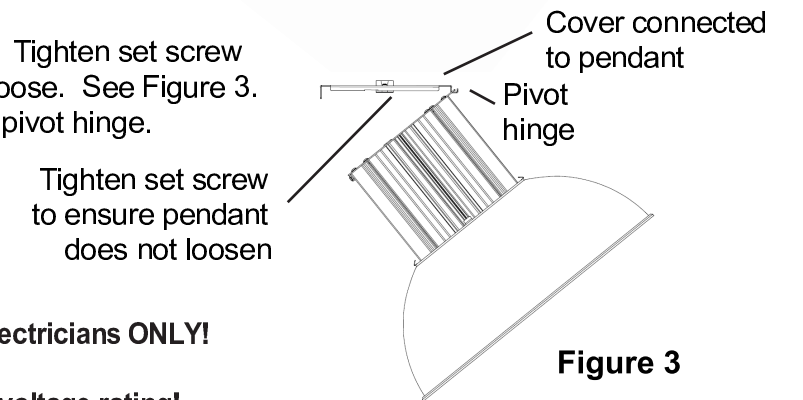
**PENDANT MOUNT MODEL**

**NOTE: FOR HCP/LCP MOUNT MODEL, SEE PAGE 2. FOR PENDAN MOUNT MODEL, SEE PAGE 4.**

1. Remove Luminaire wiring box cover by removing the cover end screw. Swing the cover up and off of pivot hinge. See Figures 1 and 2.



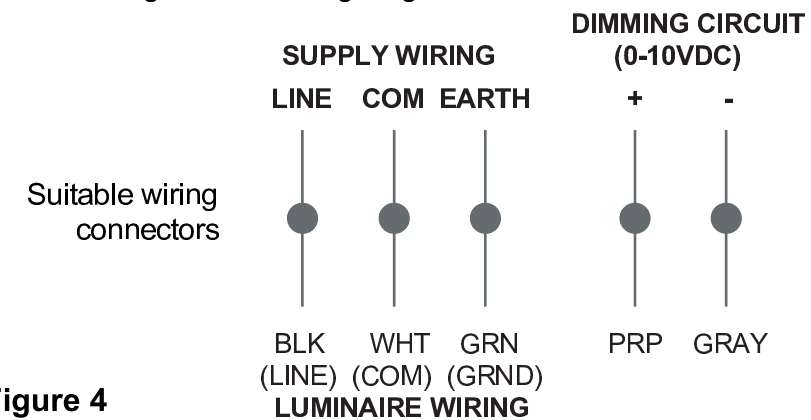
2. Secure conduit pendant (not supplied) to cover plate. Tighten set screw on side of hub, to ensure pendant does not become loose. See Figure 3. Hang Luminaire onto Cover, so that it suspends from pivot hinge. See Figure 3.



**IMPORTANT! The following instructions are for qualified electricians ONLY!**

**IMPORTANT! Match incoming supply voltage to luminaire voltage rating!**

3. Luminaire leads are now exposed. Perform wiring per National Electrical Code and local code. Use suitable wiring connectors. See Figure 4 for wiring diagram.



4. Reinstall driver mount plate, then swing luminaire up to Cover plate. Re-install screw into luminaire to secure to Cover Plate.