

XLPGK LED RETRO FIT KIT INSTALLATION AND ASSEMBLY INSTRUCTIONS



SMARTVISION®

WARNING: Before proceeding, read all instructions carefully to insure proper and safe installation.

WARNING: Risk of shock. Disconnect power before installing or servicing.

WARNING: Risk of fire or electrical shock. Luminaire wiring, power supply, or other electrical parts may be damaged when drilling for installation of retrofit assembly hardware. Inspect wiring or components for damage.

WARNING: To prevent wiring damage or abrasion, do not expose wiring to edges of sheet metal or other sharp objects.

WARNING: Risk of fire or electric shock. Install this kit only in the luminaires that have the construction features and dimensions shown on the photographs and/or drawings and where the input rating of the retrofit kit does not exceed the input rating of the PGF luminaire.

- Verify that supply wiring voltage matches power supply voltage by comparing it with power supply label.
- Make all electrical and grounded connections in accordance with the National Electric Code (NEC) and any other applicable local code requirements.
- The Retrofit kit is accepted as component of a luminaire where the suitability of the combination shall be determined by CSA or authorities having jurisdiction.
- LED Retrofit luminaire conversion for use only in LSI Industries Inc., Model PGF luminaires in accordance with the instructions provided with this retrofit kit.

WARNING: Risk of fire or electric shock. LED Retrofit Kit installation requires knowledge of luminaires electrical systems. If not qualified, do not attempt installation. Contact a qualified electrician.

CAUTION: RISK OF INJURY.

- Wear gloves and safety glasses at all times when removing luminaire from carton, installing, servicing or performing maintenance.
- Allow lamp/luminaire/ballast to cool before handling.

NOTICE: RISK OF PRODUCT DAMAGE – Failure to follow instructions could result in damage to product and void ALL warranties.

IMPORTANT: Not every unit is identical. Placement of proper luminaire is important. Refer to layout drawing to verify location identification, product location, and feed points.

IMPORTANT: Do not electrically connect to live wiring.

- Never connect components under load.



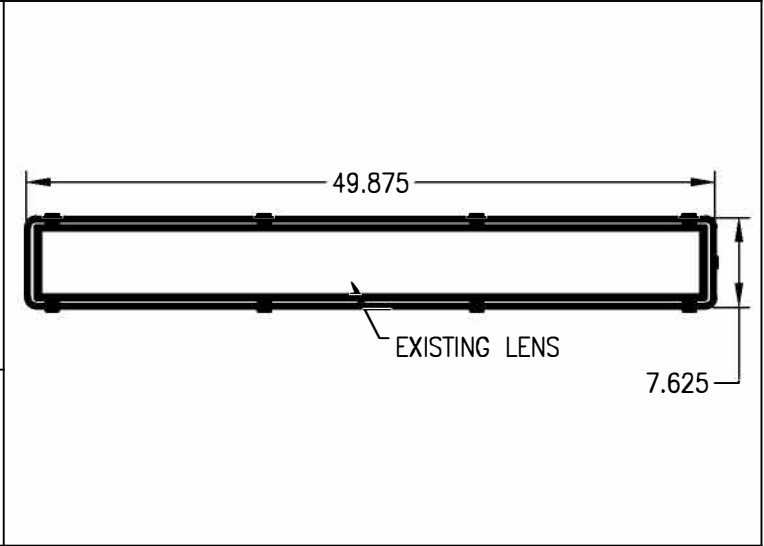
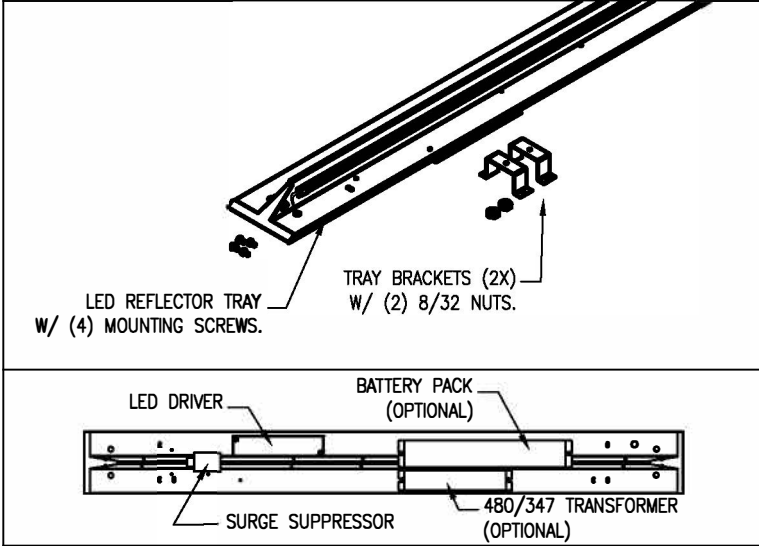
Installation Questions?
Call LSI Field Service Department at:
1-800-436-7800 Ext. 3300 Fax 877-861-1368

LSI Industries Inc. ♦ 10000 Alliance Road ♦ Cincinnati, OH 45242 ♦ 513-793-3200 ♦ Fax (513) 793-0147 ♦ www.lsi-industries.com

XLPGK LED RETRO FIT KIT INSTALLATION AND ASSEMBLY INSTRUCTIONS

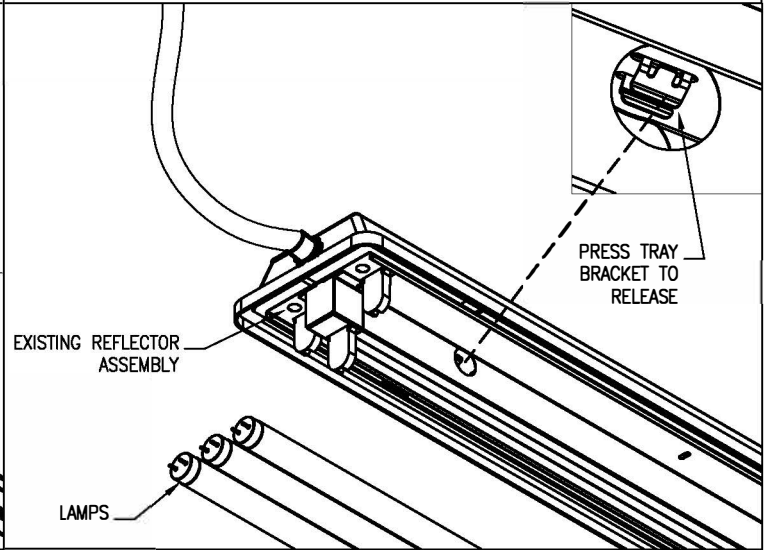
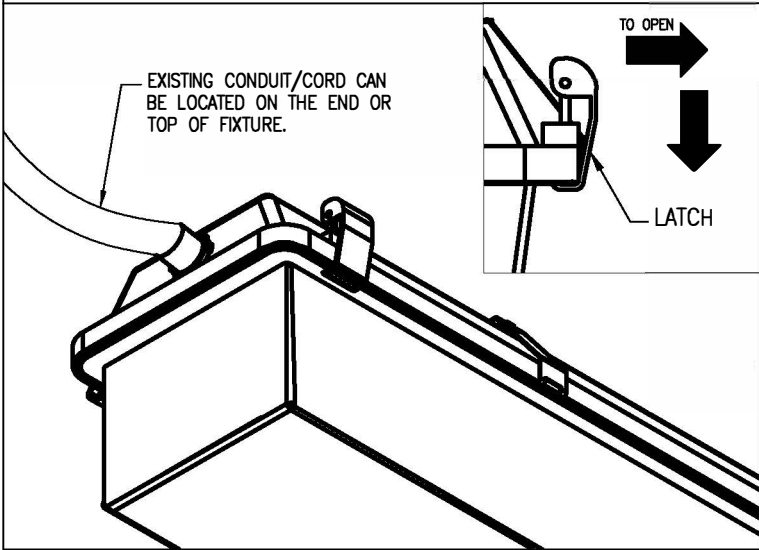


SMARTVISION®



1. UNPACK AND INSPECT RETRO FIT KIT FOR INSTALLATION.

2. VERIFY THE LENGTH AND WIDTH OF EXISTING FIXTURE FOR RETRO FIT KIT COMPONENTS.



3. TURN OFF/DISCONNECT POWER TO UNIT FOR RETRO FIT KIT INSTALL.
 4. OPEN LATCHES TO REMOVE EXISTING LENS FROM FIXTURE. SAVE LENS IF REUSING EXISTING DEEP LENS FOR RETRO FIT INSTALLATION.

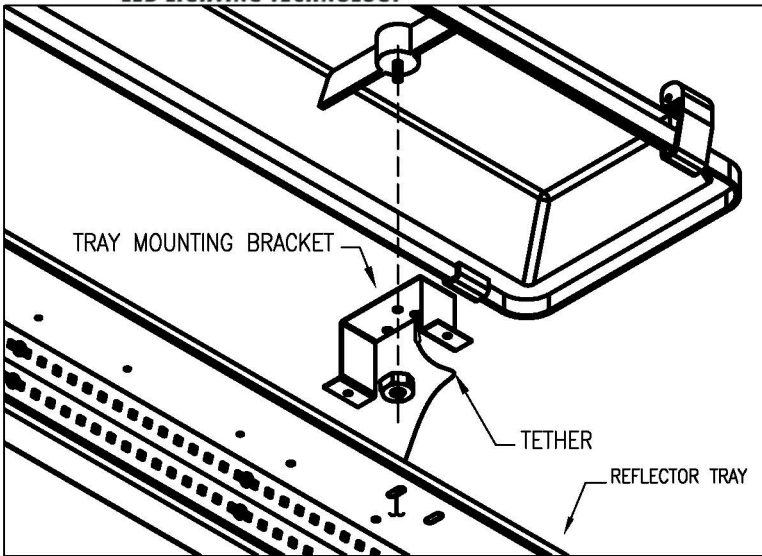
5. REMOVE LAMPS.
 6. PRESS BRACKETS TO RELEASE REFLECTOR ASSEMBLY FROM HOUSING. REPEAT FOR BOTH ENDS.
 7. DISCONNECT/CUT POWER LEADS FROM BUILDING SUPPLY TO FIXTURE.
 8. REMOVE GEAR TRAY ASSEMBLY AND TRAY BRACKETS FROM HOUSING. (APPROPRIATELY DISCARD REMOVED PARTS FROM FIXTURE PER LOCAL CODES.)



Installation Questions?
 Call LSI Field Service Department at:
 1-800-436-7800 Ext. 3300 Fax 877-861-1368

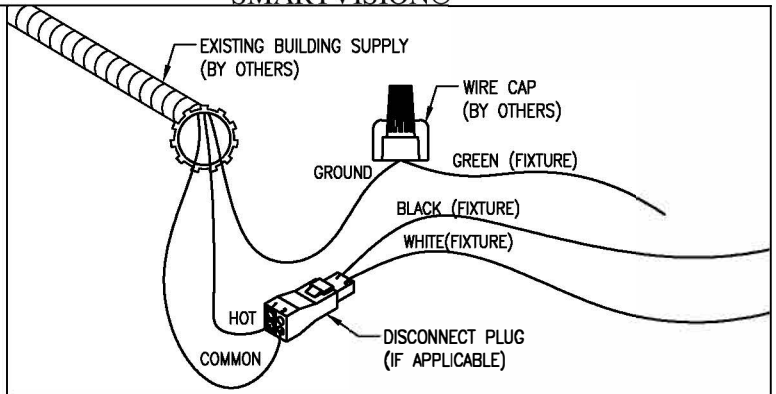
LSI Industries Inc. ♦ 10000 Alliance Road ♦ Cincinnati, OH 45242 ♦ 513-793-3200 ♦ Fax (513) 793-0147 ♦ www.lsi-industries.com

XLPGK LED RETRO FIT KIT INSTALLATION AND ASSEMBLY INSTRUCTIONS



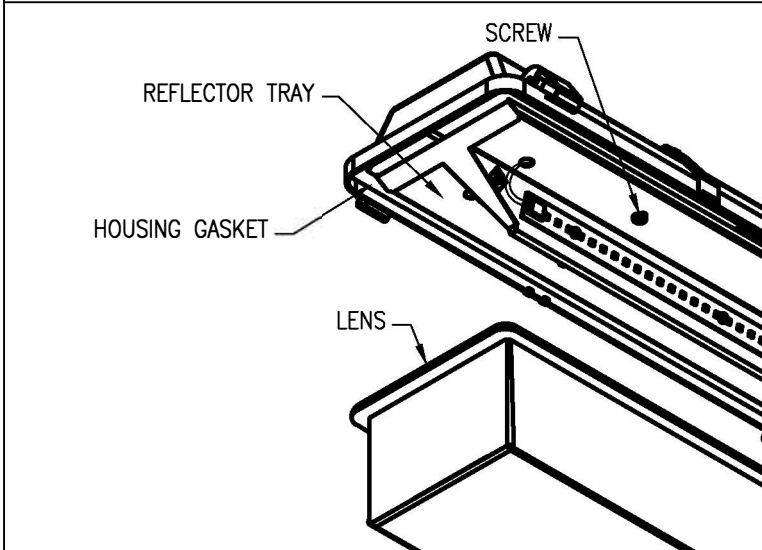
9.) FASTEN THE NEW TRAY MTG. BRACKETS WITH SAFETY TETHER TO HOUSING.
 10.) ATTACH OTHER END OF TETHER TO LED REFLECTOR TRAY.

SMARTVISION®

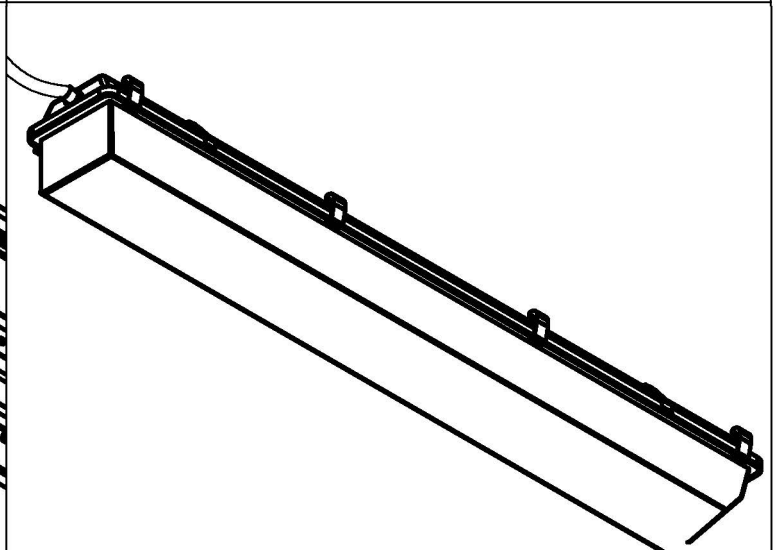


- NOTES:
- SEE BALLAST/DRIVER FOR CURRENT AND VOLTAGE.
 - HOT LEAD TO BLACK
 - COMMON LEAD TO WHITE
 - GROUND LEAD TO GREEN

11.) MAKE APPROPRIATE WIRE CONNECTIONS. (SEE DIAGRAM)
 12.) BATTERY BACK-UP OPTION – SEE MANUFACTURERS INSTRUCTIONS PACKED WITH FIXTURE.



13.) PLACE LED REFLECTOR TRAY ON BRACKETS AND ALIGN HOLES TO FASTEN IN PLACE WITH SCREWS. (TWO (2) SCREWS PER BRACKET)
 14.) INSTALL NEW/EXISTING LENS ON HOUSING GASKET AND LOCK INTO PLACE WITH HOUSING LATCHES.



15.) RETRO FIT KIT IS NOW INSTALLED AND READY TO BE ENERGIZED.



Installation Questions?
 Call LSI Field Service Department at:
 1-800-436-7800 Ext. 3300 Fax 877-861-1368

LSI Industries Inc. ♦ 10000 Alliance Road ♦ Cincinnati, OH 45242 ♦ 513-793-3200 ♦ Fax (513) 793-0147 ♦ www.lsi-industries.com