

W44 INSTALLATION AND ASSEMBLY INSTRUCTIONS

WARNING: Before proceeding, read all instructions carefully to insure proper and safe installation.

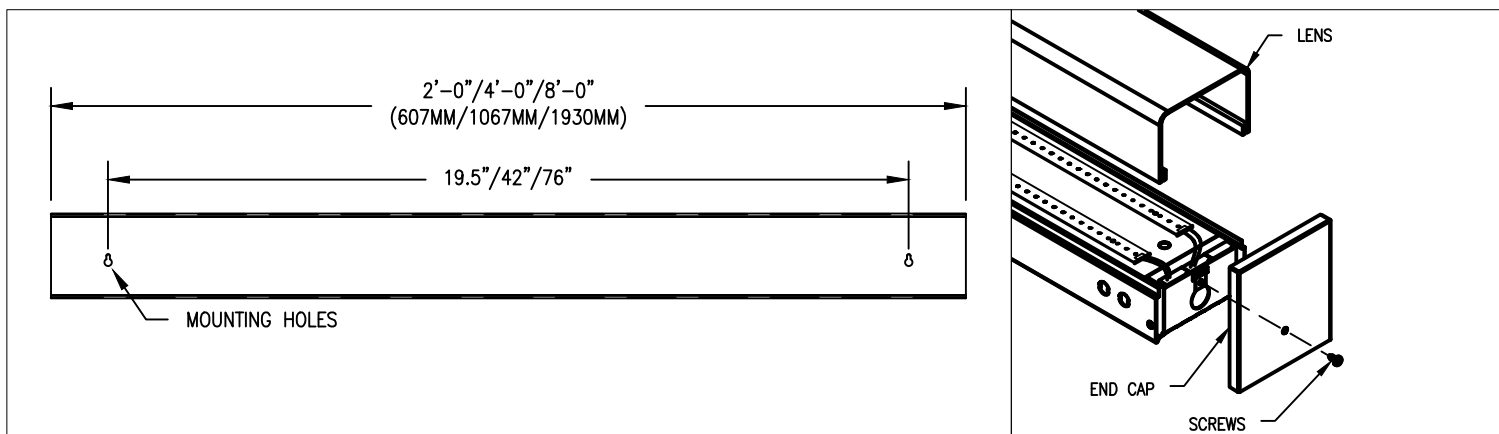
WARNING: Risk of fire or electrical shock. Disconnect power before installing or servicing.

WARNING: Risk of electrical shock. High temperatures inside luminaire. Make certain line voltage corresponds with ballast's primary voltage. (See ballast label).

WARNING: All wiring to be performed per National Electrical Code and local code by a qualified electrician.

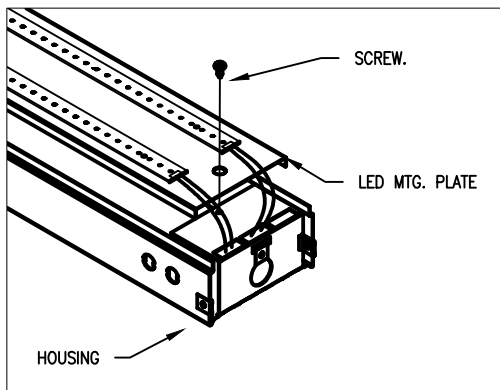
IMPORTANT - Always wear eye protection. Make sure area below fixture is clear.

IMPORTANT: Not every unit is identical! Placement of proper luminaire section (by length, emergency option, etc.) within each row is important. Refer to layout drawing to verify row identification, product location, and feed points!

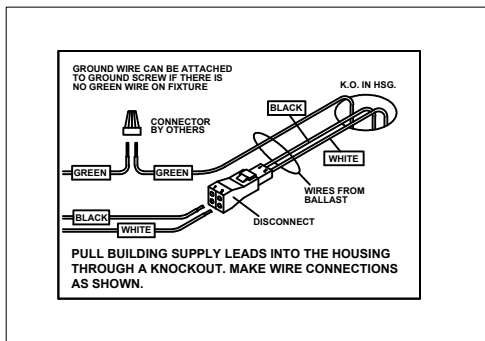


1.) MOUNTING CENTERS LOCATION LAYOUT.

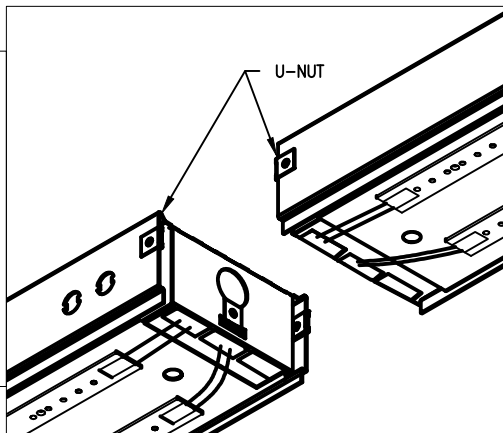
2.) REMOVE END CAP AND LENS FOR INSTALLATION.



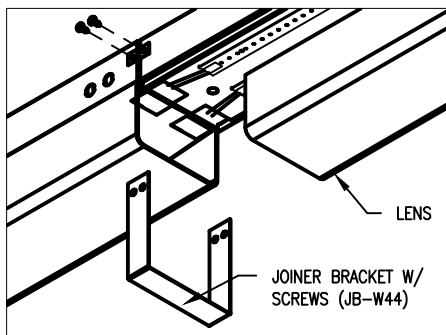
3.) REMOVE LED MOUNTING PLATE TO SECURE FIXTURE TO WALL/CEILING AND MAKE WIRE CONNECTIONS. BLACK TO HOT, WHITE TO COMMON AND GREEN TO GROUND. REPLACE BALLAST COVER.



4.) WIRE FIXTURE



FOR ROW MOUNTING ONLY
5.) CLIP ON U-NUTS (4X) TO THE SIDES AND ALIGN HOLES FOR SCREWS. (JB-W44 ORDERED SEPARATELY)



6.) REPLACE LENS AND SECURE IN PLACE WITH JOINER BRACKET AND SCREWS OR END CAP.



LSI INDUSTRIES INC.
10000 Alliance Road
Cincinnati, Ohio 45242
(513)793-3200 Fax (513)793-0147
www.lsi-industries.com

A Company with a Smart Vision

Installation Questions?
Call LSI Field Service Department at:
1-800-436-7800 Ext. 3300 Fax 877-861-1368