

GA, LA LED INSTALLATION AND ASSEMBLY INSTRUCTIONS



SMARTVISION®

CAUTION: Risk of shock. Disconnect power before installing or servicing.

WARNING: Before proceeding, read all instructions carefully to insure proper and safe installation.

WARNING: Risk of electrical shock. High temperatures inside luminaire. Make certain line voltage corresponds with ballast/driver primary voltage (see ballast/driver label).

WARNING: All wiring to be performed per National Electrical Code and local code by a qualified electrician.

IMPORTANT: Not every unit is identical. Placement of proper luminaire is important. Refer to layout drawing to verify location identification, product location, and feed points.

IMPORTANT: Do not electrically connect to live wiring.



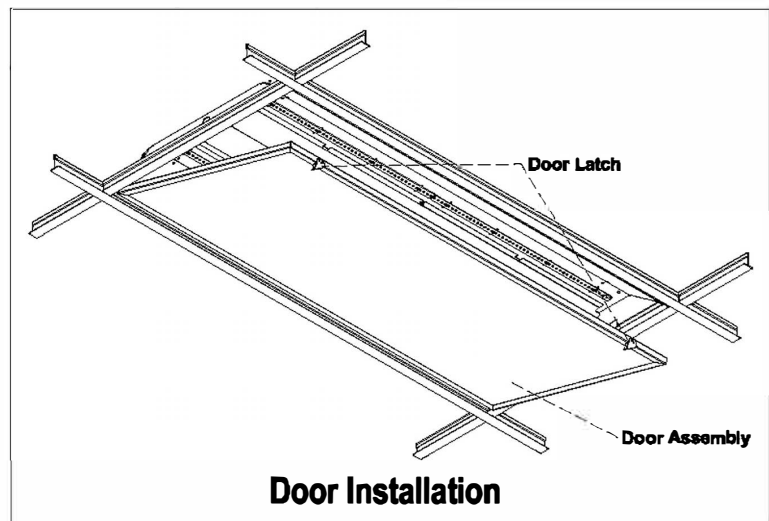
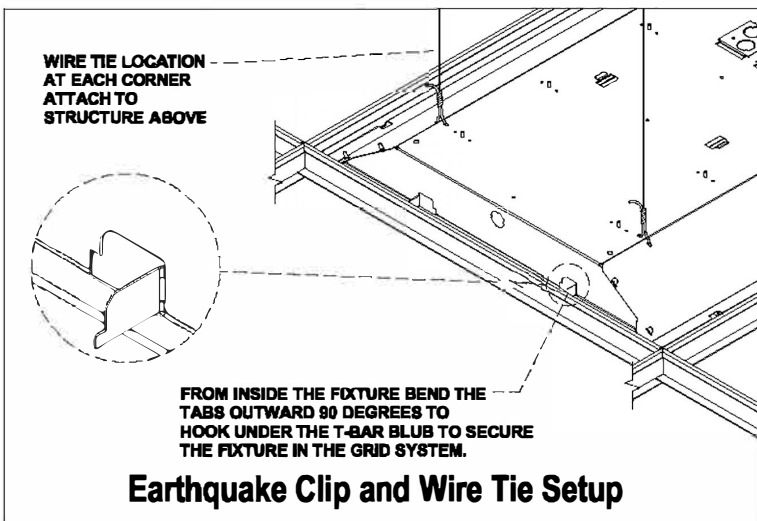
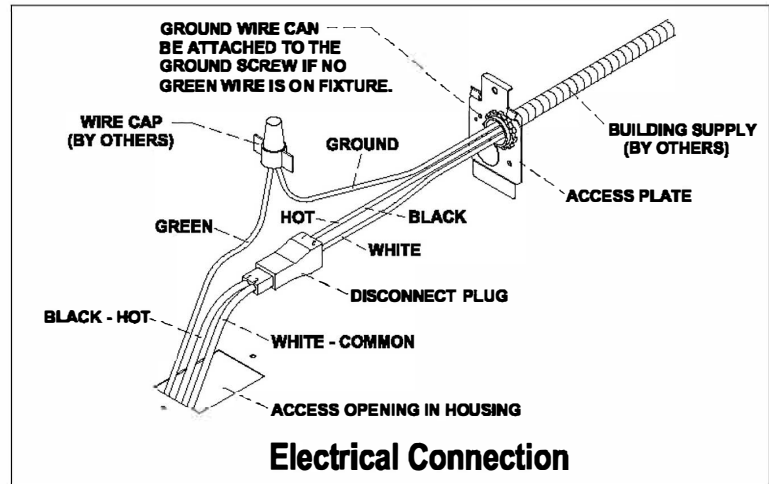
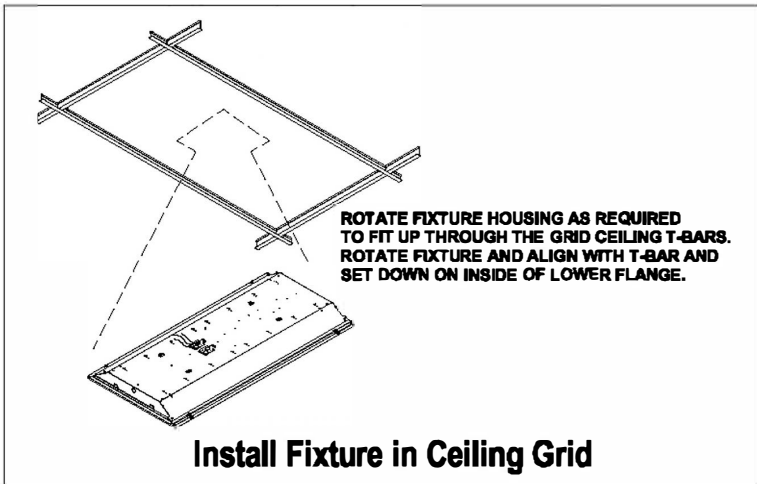
Installation Questions?
Call LSI Field Service Department at:
1-800-436-7800 Ext. 3300 Fax 877-861-1368

LSI Industries Inc. ♦ 10000 Alliance Road ♦ Cincinnati, OH 45242 ♦ 513-793-3200 ♦ Fax (513) 793-0147 ♦ www.lsi-industries.com

GA, LA LED INSTALLATION AND ASSEMBLY INSTRUCTIONS



SMARTVISION®



Installation Questions?
 Call LSI Field Service Department at:
 1-800-436-7800 Ext. 3300 Fax 877-861-1368

LSI Industries Inc. ♦ 10000 Alliance Road ♦ Cincinnati, OH 45242 ♦ 513-793-3200 ♦ Fax (513) 793-0147 ♦ www.lsi-industries.com