

# **LOW PROFILE LED DUETTO INSTALLATION AND ASSEMBLY INSTRUCTIONS**



SMARTVISION®

**CAUTION:** Risk of shock. Disconnect power before installing or servicing.

**WARNING:** Before proceeding, read all instructions carefully to insure proper and safe installation.

**WARNING:** Risk of electrical shock. High temperatures inside luminaire. Make certain line voltage corresponds with ballast/driver primary voltage (see ballast/driver label).

**WARNING:** All wiring to be performed per National Electrical Code and local code by a qualified electrician.

**IMPORTANT:** Not every unit is identical. Placement of proper luminaire is important. Refer to layout drawing to verify location identification, product location, and feed points.

**IMPORTANT:** Do not electrically connect to live wiring.

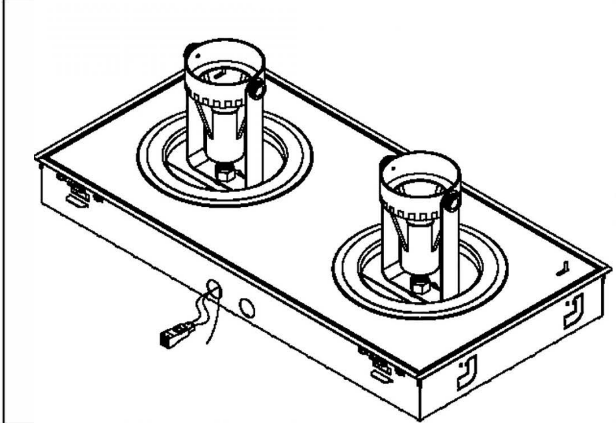
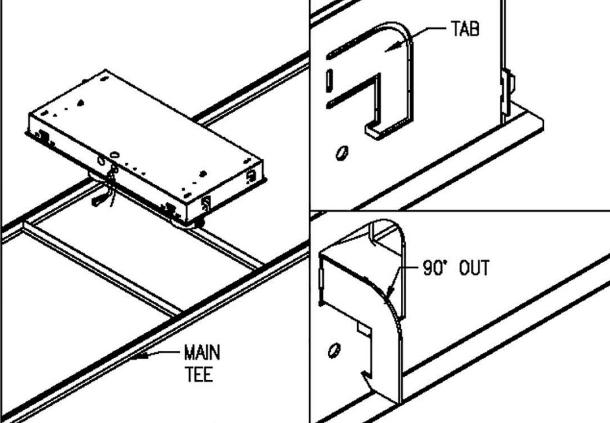
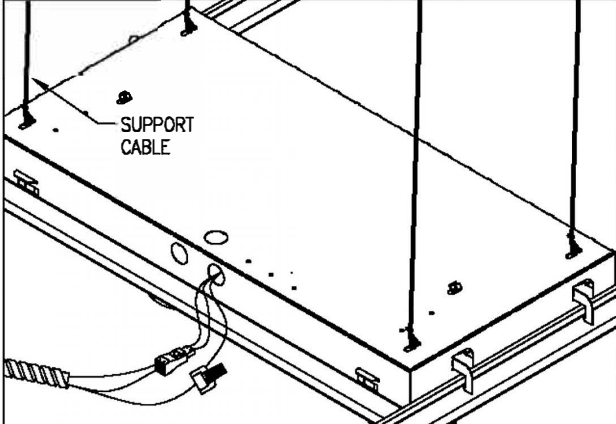
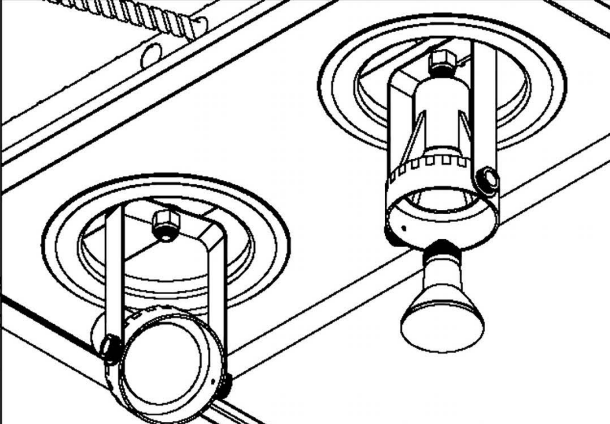


Installation Questions?  
Call LSI Field Service Department at:  
1-800-436-7800 Ext. 3300 Fax 877-861-1368

# LOW PROFILE LED DUETTO INSTALLATION AND ASSEMBLY INSTRUCTIONS



SMARTVISION®

	
<p>1.) REMOVE LUMINAIRE FROM PACKAGING, TAKING CARE TO PROTECT FINISH.</p>	<p>2.) BEND SIDE TABS OUT 90° TO REST FIXTURE ON MAIN TEE IN CEILING GRID.</p>
	
<p>3.) BEND TABS INTO MAIN TEE TO LOCK INTO PLACE FOR A.H.J. CODE SUPPORT FIXTURE IN PLACE WITH SUPPORT CABLES AT THE FOUR CORNERS. MAKE APPROPRIATE 120V WIRE CONNECTIONS ONLY. BLACK TO BLACK, WHITE TO WHITE, AND GROUND TO GREEN.</p>	<p>4.) LAMP FIXTURES WITH APPROPRIATE LED LAMPS. ROTATE AND AIM LAMP SHADES INTO DESIRED DIRECTION. DO NOT AIM LAMP SHADES PASSED 90° BACK INTO FIXTURE HOUSING THIS MAY CAUSE FIXTURE TO OVERHEAT.</p>



Installation Questions?  
 Call LSI Field Service Department at:  
 1-800-436-7800 Ext. 3300 Fax 877-861-1368

LSI Industries Inc. ♦ 10000 Alliance Road ♦ Cincinnati, OH 45242 ♦ 513-793-3200 ♦ Fax (513) 793-0147 ♦ [www.lsi-industries.com](http://www.lsi-industries.com)