

INSTALLATION AND ASSEMBLY INSTRUCTIONS

Crossover® XPGD & XPGP Garage Series

Patented and US & Foreign Patents Pending

WARNING: Failure to follow instructions could result in damage to product and void warranties!

WARNING: Risk of fire or electrical shock. Disconnect power before installing or servicing.

WARNING: Wiring to be performed by qualified electrician only!

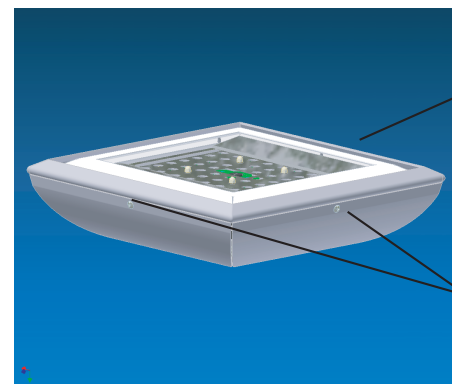
Suggested Tools : Torx® **T20 driver**



1. Reference layout drawing for luminaire placement.
2. Model XPGD is intended for direct mount to J-box or ceiling only; model XPGP is intended for pendant mount only.

ALL MODELS

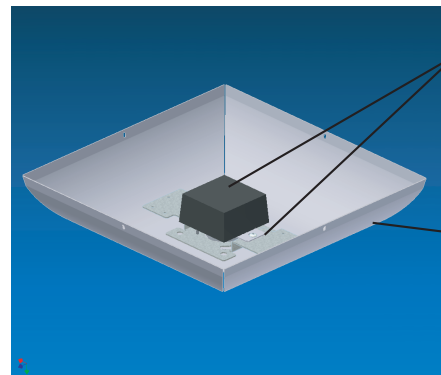
3. Lie luminaire lens up on the ground, protecting the finish beneath.
4. Remove the 4 screws securing the optic unit to the housing. Remove wire nuts connecting optic unit to driver inside housing. Place optic unit and screws aside.



Luminaire on ground, facing lens-up

Remove (4) Torx® screws to remove optic unit

5. Inside housing, remove the 2 screws securing the driver to housing plate. Place driver and screws aside.



Remove both Torx screws to remove driver

Housing lying on ground

6. Proceed to mount-specific steps on pages 2 and 3.



A Company with a Smart Vision

LSI Industries Inc. 10000 Alliance Road Cincinnati, Ohio 45242 (513) 793-3200 Fax (513) 793-0147 www.lsi-industries.com

374182 Rev. 7/09

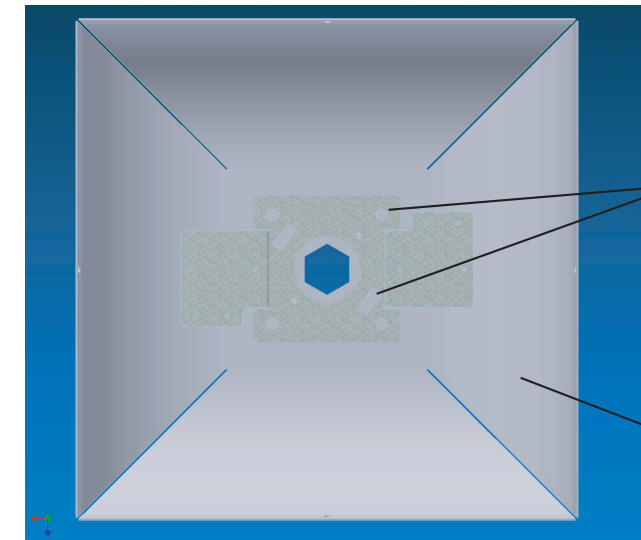
P 1 of 4

©2009 LSI Industries Inc.

Crossover® XPGD & XPGP Garage Series, cont'd.

DIRECT MOUNT MODELS ONLY (SEE PAGE 3 FOR PENDANT MOUNT INSTRUCTIONS)

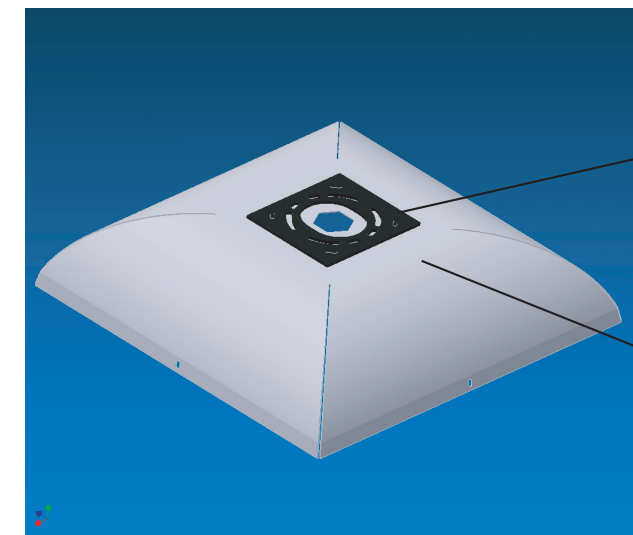
7. Remove applicable knockout holes/key slots on top of housing. **NOTE: Remove only the required holes for your installation!**



Remove necessary key slot or screw knockouts for your installation

View inside housing with driver removed

8. Holding housing gasket up to ceiling or J-box, feed supply wires thru large center hole. Holding housing up to ceiling or J-box, feed supply wires thru large center hole. **IMPORTANT: Supply wiring to be rated 90C minimum.**



Housing gasket in place

Housing top side

9. Using suitable fasteners (not supplied), secure housing to ceiling or J-box. **NOTE: Key slots will accept #10 fasteners, and the (4) outer holes will accommodate 1/4" fasteners.**

10. Proceed to page 3, step 14.



A Company with a Smart Vision

LSI Industries Inc. 10000 Alliance Road Cincinnati, Ohio 45242 (513) 793-3200 Fax (513) 793-0147 www.lsi-industries.com

Page 2 of 4

p/n 374182 Rev. 7/09

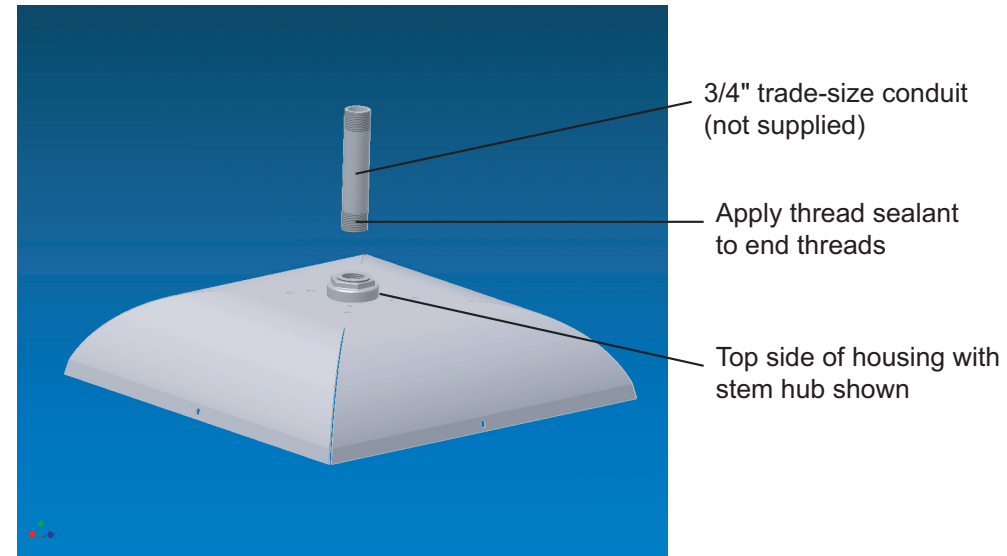
Crossover® XPGD & XPGP Garage Series, cont'd.

PENDANT MOUNT MODELS ONLY (SEE PAGE 2 FOR DIRECT MOUNT INSTRUCTIONS)

11. Feed supply wiring from J-box thru 3/4" trade-size conduit stem (not provided). Install conduit stem to J-box.
IMPORTANT: Supply wiring to rated 90C minimum!

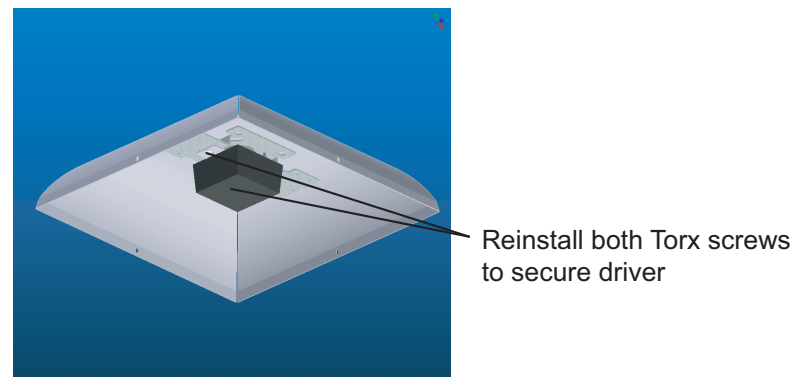
12. Apply thread sealant to conduit stem threads.

13. With housing in hand, feed supply wires thru stem hub hole in top of housing. Then, thread housing on to conduit stem. **NOTE: Do NOT remove stem hub from housing!**



ALL MODELS

14. Reinstall driver to housing plate. **NOTE: Make sure no wires are pinched!**

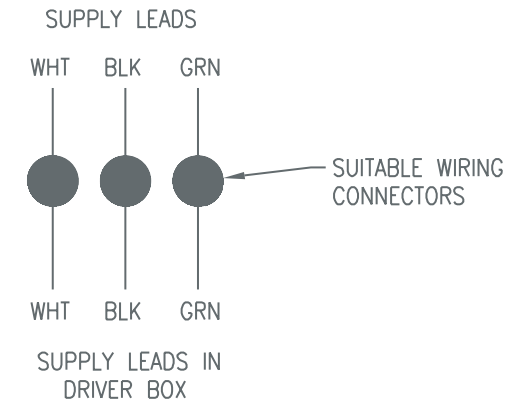


Crossover® XPGD & XPGP Garage Series, cont'd.

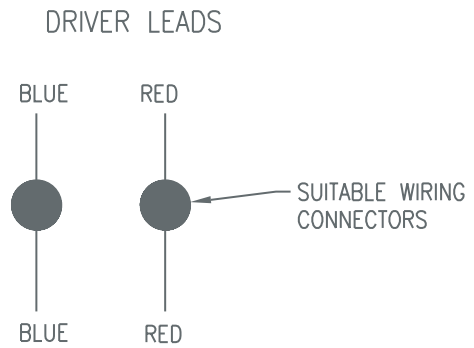
15. Make proper electrical connections per the wiring diagram below.

IMPORTANT: Supply wiring to rated 90C minimum.

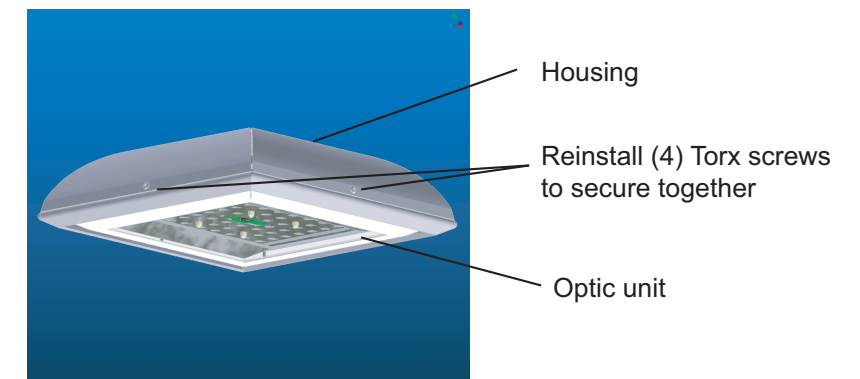
NOTE: Include the luminaire ground inside the housing!



16. Holding optic unit up to driver, make proper electrical connections per the wiring diagram below.



17. Reinstall optic unit to housing with (4) Torx screws.



Installation Questions?
Call LSI Field Service Department at:
1-800-436-7800 Ext. 3300
Fax: 1-877-861-1368