

LED AREA LIGHTS - (XGBM)



DOE LIGHTING FACTS

Department of Energy has verified representative product test data and results in accordance with its Lighting Facts Program. Visit www.lightingfacts.com for specific catalog strings.

LIGHT OUTPUT - XGBM						
		Lumens (Nominal)				Watts (Nominal)
		Type 3	Type 5	Type FT	Type FTA	
Cool White	LW	14080	13840	15020	16560	140
	SS	20180	18040	20700	23030	187
	HO	26750	25460	29070	31810	300
Neutral White	LW	11450	11290	12220	13470	136
	SS	16390	15170	17230	18750	188
	HO	22240	20550	23510	25410	288

LED Chips are frequently updated therefore values may increase.

US patent D574994 & 7,828,456 and MX patent 29631 and US & Int'l. patents pending

SMARTTEC™ THERMAL CONTROL - LSI drivers feature integral sensor which reduces drive current when ambient temperatures exceed rated temperature.

OCCUPANCY SENSING (IMS) – Optional integral passive infrared motion sensor activates switching of luminaire light levels. High level light is activated and increased to full bright in 1-2 seconds upon detection of motion. Low light level (30% maximum drive current) is activated when target zone is absent of motion activity for ~2 minutes and ramps down (10-15 seconds) to low level to allow eyes time to adjust. Sensor is located on the front of optical assembly and rotates with the optic. Sensor optic has a detection cone of approximately 45°. Examples of detection – occurs 30' out from a 30' mounting height pole; occurs 20' out from a 20' mounting height pole.

ENERGY SAVING CONTROL OPTIONS – DIM – 0-10 volt dimming enabled with controls by others. BLS – Bi-level switching responds to external line voltage signal from separate 120-277V controller or sensor (by others), with low light level decreased to 30% maximum drive current.

LEDS - Select high-brightness LEDs in Cool White (5000K) or Neutral White (4000K) color temperature, 70 CRI.

DISTRIBUTION/PERFORMANCE - Types 3, 5, FT and FTA available - field rotatable reflectors.

HOUSING - Square, die-formed aluminum. Fully enclosed weather-tight housing contains factory prewired drivers and field connections.

TOP-ACCESS COVER - Gasketed, tethered top-access cover provides ease of installation and allows for easy driver access. Four captive stainless-steel fasteners secure the top-access cover to the housing.

OPTICAL UNIT - Clear tempered optical grade flat glass lens sealed to aluminum housing creates an IP67 rated, sealed optical unit (includes pressure stabilizing breather). Optical unit can be easily field rotated in 90o increments. Directional arrow on optics allows alignment without the unit being energized.

MOUNTING - 2-1/2" x 5-3/8" x 12" extruded aluminum arm mounting bracket shipped standard. Use with 5" traditional drilling pattern. Round Pole Plate (RPP2) required for mounting to 3"-5" round poles. (See Accessory Ordering Information chart.)

ELECTRICAL - Two-stage surge protection (including separate surge protection built into electronic driver) meets IEEE C62.41.2-2002, Location Category C. Available with universal voltage power supply 120-277VAC (UE - 50/60Hz input), and 347-480VAC.

DRIVERS - Available in Low Watt (LW), Super Saver (SS) and High Output (HO) drive currents (Drive currents are factory programmed). Components are fully encased in potting material for moisture resistance. Driver complies with FCC 47 CFR part 15 RFI/EMI standard.

OPERATING TEMPERATURE - -40°C to +50°C (-40°F to +122°F).

FINISH - Fixtures are finished with LSI's DuraGrip® polyester powder coat finishing process. The DuraGrip finish withstands extreme weather changes without cracking or peeling.

DECAL STRIPING - LSI offers optional color-coordinated decals in 9 standard colors to accent the fixture. Decals are guaranteed for five years against peeling, cracking, or fading.

WARRANTY - LSI LED fixtures carry a limited 5-year warranty.

PHOTOMETRICS - Please visit our web site at www.lsi-industries.com for detailed photometric data.

SHIPPING WEIGHT (IN CARTON) - Fixture - 44.5 lbs (20 kg) Arm - 5 lbs. (2kg) arm

LISTING - UL listed to U.S. and Canadian safety standards. Suitable for wet locations. For a list of the specific products in this series that are DLC listed, please consult the LED Lighting section of our website or the Design Lights website at www.designlights.org.

This product, or selected versions of this product, meet the standards listed below. Please consult factory for your specific requirements.



IP67



Fixtures comply with ANSI C136.31-2010 American National Standard for Roadway Lighting Equipment - Luminaire Vibration 3G requirements.



Project Name _____ Fixture Type _____

Catalog # _____

10/16/17

© 2017

LSI INDUSTRIES INC.

LED AREA LIGHTS - (XGBM)

LUMINAIRE ORDERING INFORMATION

TYPICAL ORDER EXAMPLE: **XGBM 5 LED HO CW UE WHT PCM**

Prefix	Distribution	Light Source	Drive Current	Color Temperature	Input Voltage	Finish	Optional Controls	Optional Sensor/Options
XGBM ¹ - LED Greenbriar	FT - Forward Throw FTA - Forward Throw Automotive 3 - Type III 5 - Type V	LED	LW - Low Watt SS - Super Saver HO - High Output	CW - Cool White (5000K) NW - Neutral White (4000K)	UE - Universal Voltage (120-277) 347-480	BLK - Black BRZ - Bronze GPT - Graphite MSV - Metallic Silver PLP - Platinum Plus SVG - Satin Verde Green WHT - White Optional Color Decals 45 - Light Gold 20 - Charcoal Metallic 55 - Black 94 - Blue Metallic 59 - Dark Green 51 - Dark Red 21 - Tomato Red 50 - White 700 - Aztec Silver Metallic	Wireless Control System^{2,3} (blank) - None PCM - Platinum Control System PCMH - Host/Satellite Platinum Control System GCM - Gold Control System GCMH - Host/Satellite Gold Control System DIM - 0-10 volt dimming (required for satellite fixtures) ALSC - AirLink Synapse Control System ALSCH - AirLink Synapse Control System - Host/Satellite Stand-Alone Control (blank) - None DIM - 0-10 volt dimming ⁴ (from external signal) BLS - Bi-level Switching ⁵ (from external signal - required 120-277V controls system voltage)	Sensor IMS - Integral MotionSensor ⁶ PCI120 - 120V Button-Type Photocell PCI208 - 208V Button-Type Photocell PCI240 - 240V Button-Type Photocell PCI277 - 277V Button-Type Photocell PCI347 - 347V Button-Type Photocell Options 8BK - 8" Bracket (S and D180 only) TB - Terminal Block

LUMINAIRE EPA CHART² - XGBM

	8" Bracket	12" Bracket
Single	2.3	2.4
D180°	4.7	4.8
D90°	12" Bracket Required	4.7
T90°		7.2
TN120°		7.3
Q90°		8.8

Note: House Side Shield adds to fixture EPA. Consult Factory.

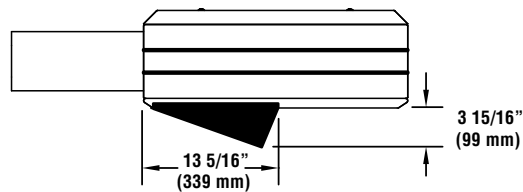
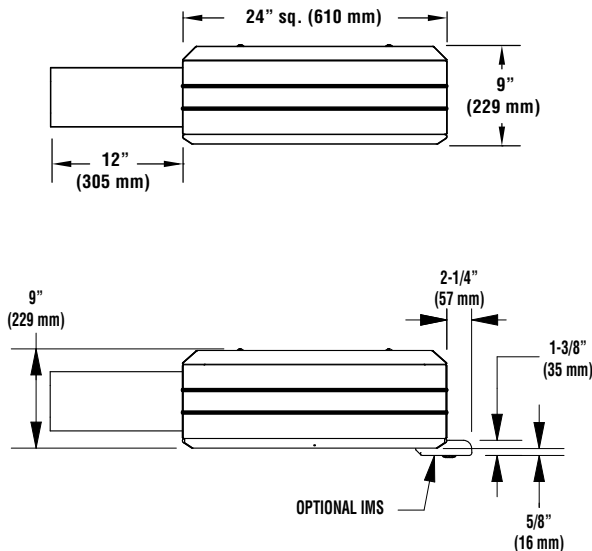
ACCESSORY ORDERING INFORMATION² (Accessories are field installed)

Description	Order Number	Description	Order Number
XGBM-HSS House Side Shield (Black only)	482002 BLK ⁷	DFK208, 240 Double Fusing (208V, 240V)	DFK208,240 ⁸
RPP2 - Round Pole Plate	162914BLK	DFK480 Double Fusing (480V)	DFK480 ⁸
BKS-BO-WM-* - CLR - Wall Mount Plate	123111CLR	FK347 Single Fusing (347V)	FK347 ⁸
BKA-BO-RA-8-CLR - Radius Arm	169010CLR	PMOS120 - 120V Pole-Mount Occupancy Sensor	518030CLR ⁹
BKU-BO-S-19-CLR - Upsweep Bracket for round or square poles	144191CLR	PMOS208/240 - 208, 240V Pole-Mount Occupancy Sensor	534239CLR ⁹
FK120 Single Fusing (120V)	FK120 ⁸	PMOS277 - 277V Pole-Mount Occupancy Sensor	518029CLR ⁹
FK277 Single Fusing (277V)	FK277 ⁸	PMOS480 - 480V Pole-Mount Occupancy Sensor	534240CLR ⁹

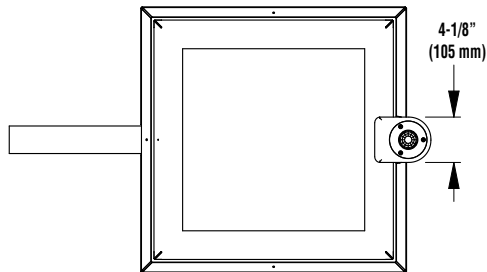
FOOTNOTES:

- 1- Use with 5" traditional drilling pattern.
- 2- For wireless controls information and accessories, see Controls section.
- 3- Requires a SiteManager and override switch. Not compatible with BLS or IMS option.
- 4- Not compatible with IMS or BLS option.
- 5- Not compatible with wireless controls system, DIM or IMS option.
- 6- Not compatible with wireless controls system, DIM or BLS option.
- 7- House Side Shields add to fixture EPA. Consult factory.
- 8- Fusing must be located in the hand hole of pole.
- 9- To be used with any of the PCM/GCM wireless controls systems in the fixture. Consult factory.
- 10- Photocell must be ordered separately. 7 pin standard. See Accessories.

DIMENSIONS



House Side Shield (482002BLK)



LED AREA LIGHTS - (XGBM)

BUG LISTING

XGBM - Type 3

Drive Current	Color Temp.*	Lumens	Watts	LER	BUG Rating
HO	CW	26,754	300	89	B3-U0-G3
	CW-HSS	17,316	288	60	B2-U0-G2
	NW	22,240	289	77	B3-U0-G2
	NW-HSS	13,941	288	48	B2-U0-G2
LW	CW	14,082	140	100	B2-U0-G2
	CW-HSS	9205	137	67	B1-U0-G2
	NW	11,451	137	84	B2-U0-G2
	NW-HSS	7513	136	55	B1-U0-G2
SS	CW	20181	187	108	B3-U0-G2
	CW-HSS	13,034	187	70	B2-U0-G2
	NW	16,394	189	87	B3-U0-G2
	NW-HSS	10,384	189	55	B2-U0-G2

XGBM - Type FT

Drive Current	Color Temp.*	Lumens	Watts	LER	BUG Rating
HO	CW	29,070	301	97	B2-U0-G4
	CW-HSS	20,964	288	73	B1-U0-G4
	NW	23,512	289	81	B2-U0-G4
	NW-HSS	17,191	289	60	B1-U0-G3
LW	CW	15,019	141	107	B1-U0-G3
	CW-HSS	11,519	137	84	B1-U0-G3
	NW	12,217	136	90	B1-U0-G3
	NW-HSS	9365	136	69	B1-U0-G3
SS	CW	20,700	187	111	B2-U0-G3
	CW-HSS	15,273	187	82	B1-U0-G3
	NW	17,230	189	91	B1-U0-G3
	NW-HSS	12,597	189	67	B1-U0-G3

* Color Temperature: NW-4000K, CW-5000K

XGBM - Type 5

Drive Current	Color Temp.*	Lumens	Watts	LER	BUG Rating
HO	CW	25,464	300	85	B4-U0-G2
	NW	20,549	288	71	B4-U0-G2
LW	CW	13,842	140	99	B3-U0-G2
	NW	11,291	136	83	B3-U0-G2
SS	CW	18,044	186	97	B4-U0-G2
	NW	15,173	189	80	B4-U0-G2

XGBM - Type FTA

Drive Current	Color Temp.*	Lumens	Watts	LER	BUG Rating
HO	CW	31,808	301	106	B4-U0-G4
	CW-HSS	20,838	288	72	B3-U0-G3
	NW	25,407	289	88	B3-U0-G3
	NW-HSS	16,855	289	58	B3-U0-G3
LW	CW	16,560	140	118	B3-U0-G2
	CW-HSS	11,440	137	84	B2-U0-G2
	NW	13,473	136	99	B3-U0-G2
	NW-HSS	9277	136	68	B2-U0-G2
SS	CW	23,033	187	123	B3-U0-G3
	CW-HSS	15,213	187	81	B3-U0-G2
	NW	18,752	189	99	B3-U0-G3
	NW-HSS	12,516	189	66	B2-U0-G3





AirLink™

enabled by Synapse®

Wireless Lighting Controller

The AirLink integrated controller is a California Title 24 compliant lighting controller that provides real-time light monitoring and control with utility-grade power monitoring. It includes a 24V sensor input and power supply to connect up to two (2) sensors into the outdoor AirLink wireless lighting system.

The wireless integrated controller and twist lock controller are compatible with this fixture.

Features

- 2% Utility Grade Power Monitoring
- Up to 80% Savings through smart dimming
- True On/Off functionality via switched relay
- Seamlessly integrates into the outdoor AirLink wireless lighting control solution & Self-healing Mesh Networking
- Relay closes on power loss
- Supports a wide range of LED drivers and fixtures
- Class 1 / Class 2 0-10V Dimming Control
- Direct Connect up to two (2) to 24V Occupancy Sensors and Photocells (consult sales for compatible list)
- Secure, over-the-air upgrades to support future enhancements
- Excellent RF Range — 1,000ft LoS between controllers
- Available in a metal cased version with quick connect terminal blocks
- Lights default to on for safety

Specifications

Regulatory Approvals

- FCC, IC, CE certified
- cULus Listed
- California Title 24 compliant

Power and Performance

- Operating environmental: -40°F to 131°F (-40°C to 55°C)
- Input power: 100–277 VAC +/- 10% (Max 305V) 47/64 Hz
- Switched output: Default ON; Zero Cross Switching
- Load rating: 5A @ 100V to 277V (+/- 10%)
- Dimming: 0–10V control; Output: Class 1/2 - 20mA Source Max / 50mA Sink Max
- Power monitoring: Utility grade - 2% accuracy
- Sensors inputs: 0–10V (photocell sensors), 0–24V (all other sensors); Sensor power supply: 24VDC @ 50mA

Other

- Dimensions: 8.2" L x 2.3" W x 1.3" H (209mm L x 59mm W x 33mm H) without antennas
- Radio: SNAP 2.4 GHz; 802.15.4; +20 dBm Transmit Power; -105 dBm Receive Sensitivity
- Warranty: 5 years

Contact LSI Controls



Sales
controls.sales@lsi-industries.com



Support
controls.support@lsi-industries.com
1 (800) 436-7800 (support, option 8)



More information
For more information on AirLink, visit our website at www.lsi-airlink.com/airlink