

Catalog # :

Project :

Prepared By :

Date :



WPSLS Series Small LED Slim Wall Pack

The Slim Wall Light Series has a slim, low profile design with attractive architectural styling. A quick and easy mounting system is bottom hinged to prevent leakage. The LED placement and mounting position results in a glare free design.

Features & Specifications

Optical System

- High-performance Chip On Board (COB) LEDs behind clear tempered glass for maximum light output.
- 3000K | 4000K | 5000K color temperatures.
- Minimum CRI of 71.
- Zero uplight.

Electrical

- High-performance driver features over-voltage, under voltage, short-circuit and over temperature protection.
- 0-10 volt dimming (10% - 100%) standard.
- Standard Universal Voltage (120-277 Vac) Input 50/60 Hz
- L70 Calculated Life: >100k Hours
- Total harmonic distortion: <20%
- Power factor: >.90
- Input power stays constant over life.
- Driver Off-State Power is 0 watts.
- Chip On Board (COB) LEDs with integrated circuit board mounted directly to the housing to maximize heat dissipation and promote long life.
- Components are fully encased in potting material for moisture resistance. Driver complies with FCC standards. Driver and key electronic components can easily be accessed.
- Minimum 2.5kV surge rating

Controls

- Optional 120V electronic button Photocontrol.
- Apertures for field or factory installed photocontrol.

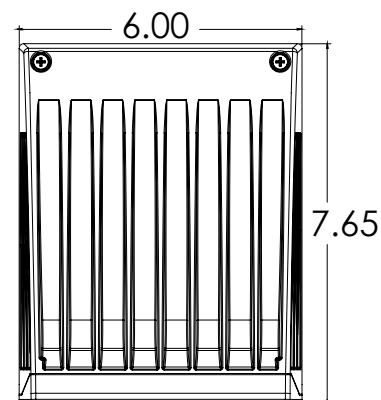
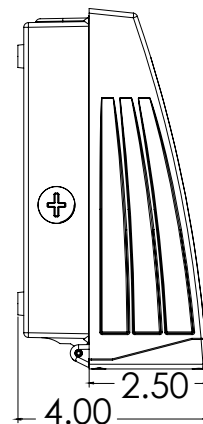


Dimmable



ARRA
Funding Compliant

Dimensions





WPSLS Series Small LED Slim Wall Pack

Features & Specifications (Cont.)

Construction

- Rigid Precision Die cast-aluminum housing for durability and consistency.
- Vertical fins serve as a heat sink and resist accumulation of dust and debris.
- The Patent Pending thermal stacking heat removal technology extracts heat from within the housing moving it away from LEDs and integral components.
- Luminaire hinges open from the bottom to prevent leakage.
- Luminaire is proudly manufactured and tested in the U.S.
- Fixtures are finished with LSI's DuraGrip® polyester powder coat finishing process. The DuraGrip finish withstands extreme weather changes without cracking or peeling. Other standard LSI finishes available. Consult factory
- Shipping weight: 3.8 lbs in carton.

Installation

- Surface mounts direct to J-box or wall.
- Features a bubble level and removable hinged face frame for ease of installation.

Warranty

- LSI LED Fixtures carry a 5-year warranty.
- 1 Year warranty on optional Button Photocell.

Listings

- Listed to UL 1598 and UL 8750.
- CSA Listed
- RoHS Compliant.
- DesignLights Consortium® (DLC) qualified product. Not all versions of this product may be DLC qualified. Please check the DLC Qualified Products List at www.designlights.org/QPL to confirm which versions are qualified.
- American Recovery and Reinvestment Act Funding Compliant.
- Suitable For Wet Locations.

Performance

Lumens	3000K		4000K		5000K		Wattage
	Delivered Lumens	Efficacy	Delivered Lumens	Efficacy	Delivered Lumens	Efficacy	
1L	1206	97.79	1206	97.79	1366	111.11	12
2L	2125	107.2	2125	107.2	2418	121.97	20
4L	3712	100.18	3712	100.18	4394	116.21	40

Energy Savings

LED		HID			
Wattage	Annual Cost	Source Wattage	Total Wattage Used	Annual Cost	Annual Savings
12	\$5	50	72	\$52	\$47
		70	90	\$59	\$54
20	\$9	50	72	\$52	\$43
		70	90	\$59	\$50
		100	129	\$77	\$68
40	\$18	100	129	\$77	\$59
		150	185	\$100	\$82
		175	210	\$112	\$94

Luminaire Ordering Guide

TYPICAL ORDER EXAMPLE: **WPSLS LED 1L UNV DIM 30 PC120 BZA**

Family Prefix	Lumen Package	Color Temp	Controls	Finishes
WPSLS - Small Slim Wall Pack	1L - 1000 Lumens 2L - 2000 Lumens 4L - 4000 Lumens	30 - 3000K 40 - 4000K 50 - 5000K	PC120 - 120V Photocontrol PM208-277 - 208-277V Photocontrol	BZA - Bronze WHT - White BLK - Black