

Catalog # :

Project :

Prepared By :

Date :



## WPSLL Series Large LED Slim Wall Pack

The Slim Wall Light Series has a slim, low profile design with attractive architectural styling. A quick and easy mounting system is bottom hinged to prevent leakage. The LED placement and mounting position results in a glare free design.

### Features & Specifications

#### Optical System

- High-performance Chip On Board (COB) LEDs behind clear tempered glass for maximum light output.
- 3000K | 4000K | 5000K color temperatures.
- Minimum CRI of 71.
- Zero uplight.

#### Electrical

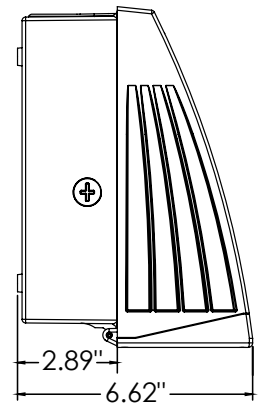
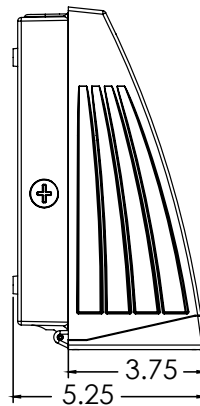
- High-performance driver features over-voltage, under voltage, short-circuit and over temperature protection.
- 0-10 volt dimming (10% - 100%) standard.
- Standard Universal Voltage (120-277 Vac) Input 50/60 Hz
- L70 Calculated Life: >100k Hours
- Total harmonic distortion: <20%
- Power factor: >.90
- Input power stays constant over life.
- Driver Off-State Power is 0 watts.
- Chip On Board (COB) LEDs with integrated circuit board mounted directly to the housing to maximize heat dissipation and promote long life.
- Components are fully encased in potting material for moisture resistance. Driver complies with FCC standards. Driver and key electronic components can easily be accessed.
- Minimum 2.5kV surge rating

#### Controls

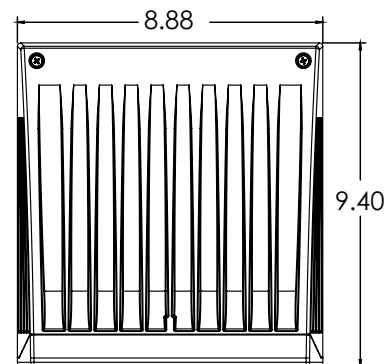
- Optional 120V electronic button Photocontrol.
- Apertures for field or factory installed photocontrol.



### Dimensions



*Deep back housing required for emergency battery back up*





# WPSLL Series Large LED Slim Wall Pack

## Features & Specifications (Cont.)

### Construction

- Rigid Precision Die cast-aluminum housing for durability and consistency.
- Vertical fins serve as a heat sink and resist accumulation of dust and debris.
- The Patent Pending thermal stacking heat removal technology extracts heat from within the housing moving it away from LEDs and integral components.
- Luminaire hinges open from the bottom to prevent leakage.
- Luminaire is proudly manufactured and tested in the U.S.
- Fixtures are finished with LSI's DuraGrip® polyester powder coat finishing process. The DuraGrip finish withstands extreme weather changes without cracking or peeling. Other standard LSI finishes available. Consult factory
- Add sux CWBB for Emergency Battery Back Up. Provides emergency illumination (1,580 lumens) for a minimum of 90 minutes.  
*Requires deep back housing.*
- Shipping weight: 7.9 lbs in carton.

### Installation

- Surface mounts direct to J-box or wall.
- Features a bubble level and removable hinged face frame for ease of installation.

### Warranty

- LSI LED Fixtures carry a 5-year warranty.
- 1 Year warranty on optional Button Photocell.

### Listings

- Listed to UL 1598 and UL 8750.
- CSA Listed
- RoHS Compliant.
- DesignLights Consortium® (DLC) qualified product. Not all versions of this product may be DLC qualified. Please check the DLC Qualified Products List at [www.designlights.org/QPL](http://www.designlights.org/QPL) to confirm which versions are qualified.
- American Recovery and Reinvestment Act Funding Compliant.
- Suitable For Wet Locations.

## Performance

Lumens	3000K		4000K		5000K		Wattage
	Delivered Lumens	Efficacy	Delivered Lumens	Efficacy	Delivered Lumens	Efficacy	
4L	4147	110.74	4147	110.74	4853	130.34	40*
6L	6513	111.93	6513	111.93	7401	128.08	60
8L	8060	106.01	8060	106.01	9332	121.81	80

*\*For emergency back-up only*

## Energy Savings

LED		HID			
Wattage	Annual Cost	Source Wattage	Total Wattage Used	Annual Cost	Annual Savings
40*	\$18	100	129	\$77	\$59
		150	185	\$100	\$82
		175	210	\$112	\$94
60	\$26	200	232	\$128	\$102
		250	285	\$150	\$124
		400	458	\$226	\$200
80	\$35	200	232	\$128	\$93
		250	285	\$150	\$115
		400	458	\$226	\$191

*\*For emergency back-up only*

## Luminaire Ordering Guide

TYPICAL ORDER EXAMPLE: **WPSLL LED 6L UNV DIM 30 PC120 BZA**

Family Prefix	Lumen Package	Color Temp	Controls	Options	Finishes
WPSLL - Large Slim Wall Pack	4L - 4000 Lumens* 6L - 6000 Lumens 8L - 8000 Lumens  <i>*For emergency back-up only</i>	30 - 3000K 40 - 4000K 50 - 5000K	PC120 - 120V Photocontrol PM208-277 - 208-277V Photocontrol	CWBB - Emergency Back-up	BZA - Bronze WHT - White BLK - Black