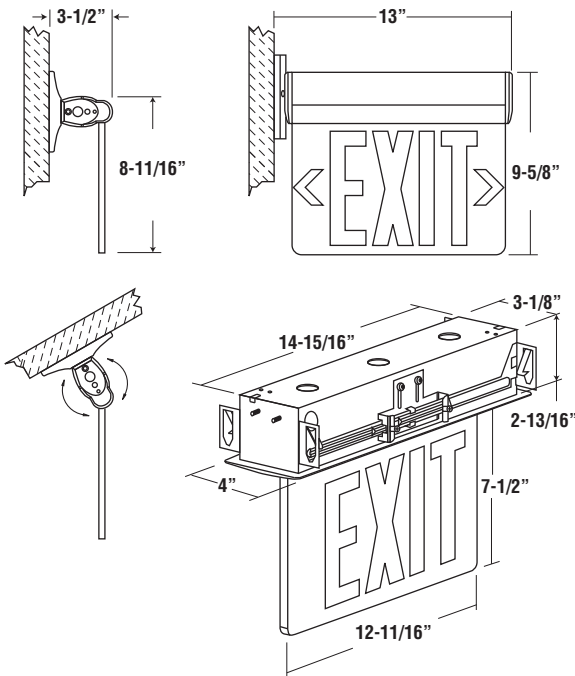


VE - PREMIUM VALUE LED EDGE-LIT EXIT SIGN



DIMENSIONS



FEATURES

- Aluminum Extrusion Housing
- Highly Visible, Optically True, Acrylic Panels
- Mirror Background Standard On All Double Face Signs
- Field Applicable Chevron Arrows
- Compact Low Profile Design
- Suitable For Damp Locations
- Optional Self Test / Self Diagnostics Available

ILLUMINATION

- High Intensity Red Or Green LEDs
- Low Energy Consumption. AC Less Than 3 Watts. Battery Back-Up Less Than 5 Watts
- Fully Illuminated 6" x 3/4" Letters Meets 100 FT Minimum Viewing Distance Required By UL924 Standard

BATTERY

- Maintenance Free Ni-Cad Battery is Standard
- 15 Year Life Expectancy Within 0-40°C Operating Temperatures.
- 90 Minute Run Time, 24 Hour Recharge Time.



ELECTRONICS

- 120/277 60Hz Dual Voltage With test Button And LED AC/DC Indicator Light
- Over Load & Short Circuit Protection
- Low Voltage Disconnect & Brownout Protection
- Solid State Constant Current Charger With Over-Charge Protection

MOUNTING

- Universal Mounting for Side, Ceiling, or Flush Mounting.
- * Recessed Ceiling Mount Accessible Above The Plenum. Includes Aluminum Housing With Battery and Electronics And Bar Hanger Assembly.

CODE CONFORMANCE & STANDARDS

- ETL LISTED
- UL 924, NEC, NFPA 101



ORDERING INFORMATION

TYPICAL ORDER EXAMPLE: **VE U 6 R 1C LB WH SD2**

Prefix	Mounting	Character Size	Letter Color	Number Of Faces / Background Color	Battery	Housing	Options
VE - Value Edgelit	U - Universal	6 - 6" Letters 3/4" Stroke	R - Red G - Green	1C-Single Face Clear 2M-Double Face Mirror	LB-Less battery WB-With battery	WH-White SA-Satin Aluminum	SD2-Self test / self diagnostics ¹

1 - Not available without battery (LB) option.



Project Name _____ Fixture Type _____
Catalog # _____

11/13/17
© 2017
LSI INDUSTRIES INC.