

Catalog # :

Project :

Prepared By :

Date :



TRK22 Troffer Retrofit Kit



The LED Troffer Retrofit Kits are designed to replace traditional fluorescent fixtures. The retrofit kit is designed to deliver unparalleled performance and efficiency meeting stringent energy requirements. The full door assembly quickly attaches to the existing housing with all work conducted from below the ceiling saving time and money on installation. Engineered for the renovation market and well suited for schools, offices, hospitals, auditoriums and many more applications.

Features & Specifications

Optical System

- High transmission impact resistant diffuse acrylic radius lens eliminates bright spots from individual LED's and provides high vertical illumination and visual comfort.
- Use of closely spaced medium-power, high brightness chips minimizes pixilation and provides uniform lens luminance.
- Available in 4000K and 3500K color temperatures per ANSI C78.377.
- Minimum CRI of 80.

Electrical

- Class 2 high-performance programmable driver features short circuit, open circuit protection for LED + and LED - and temperature foldback. Driver complies with FCC standards.
- 0-10 volt dimming (10% - 100%) standard.
- Standard Universal Voltage (120-277 Vac) input 50/60Hz. Please check the DLC Qualified Products list at www.designlights.org/QPL to confirm which versions are qualified.
- L70 Calculated Life: >36k Hours @ 25°C per IESNA TM-21-11. (See Lumen Maintenance on Page 2)
- Total harmonic distortion: <20%
- Power factor: >.90
- Input power stays constant over life.
- Optional (120-277V) integral 10 watt battery backup is available. The 90-minute batteries provide constant power to the LED system.

Construction

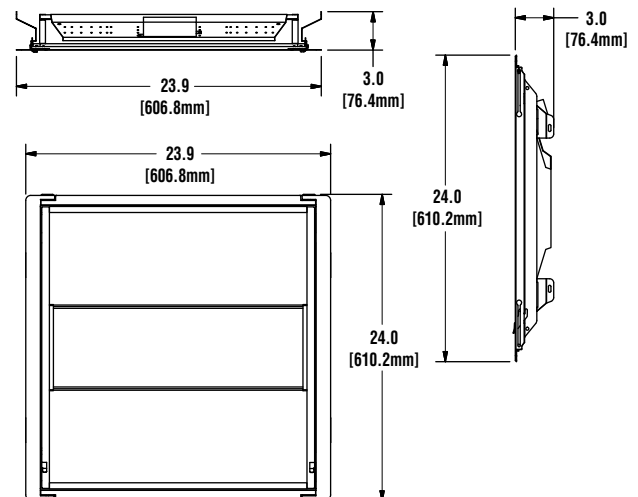
- Rigid housing is die-formed 24-gauge cold rolled steel for consistency and strength.
- Luminaire is painted after fabrication following treatment with phosphate rust inhibitor. Finish coat of housing is high reflectance white (minimum 92%) polyester powder.
- Shipping weight: 12 lbs

Installation

- Suitable for retrofitting fluorescent troffers.
- Remove existing components i.e. fluorescent lamps, sockets, ballasts.



Dimensions





Features & Specifications (cont.)

Warranty

- LSI LED Fixtures carry a 5-year warranty.

Listing

- Listed to UL 1598 and UL 8750 for 25°C Ambient applications
- RoHS Compliant.
- Suitable For Damp Locations.

Photometry

- See website for IES and photometric files

Performance

TRK22 DELIVERED LUMENS*						
LUMEN PACKAGE	CRI	3500K CCT		4000K CCT		WATTAGE
		DELIVERED LUMENS	EFFICACY	DELIVERED LUMENS	EFFICACY	
33L	80	3276	128.0	3298	131.0	25.2
38L	80	3540	126.4	3657	130.0	28.1

Specifications and dimensions subject to change without notice.

- 1 - Lumen maintenance values at 25C are calculated per TM-21 based on LM-80 data and in-situ testing.
- 2 - In accordance with IESNA TM-21-11, Projected Values represent interpolated value based on time durations that are within six times the IESNA LM-80-08 total test duration for the device under testing
- 3 - In accordance with IESNA TM-21-11, Calculated Values represent time durations that exceed six times the IESNA LM-80-08 total test duration for the device under testing

TRK22 ELECTRICAL DATA (Amps)*				
Lumen Package	120V	208V	240V	277V
33L	0.21	0.12	0.11	0.09
38L	0.23	0.14	0.12	0.10

*LED chips are frequently updated therefore values are subject to change.

*Electrical data at 25C (77F). Actual wattage may differ by +/-10%.

Recommended Lumen Maintenance ¹						
LUMENS	AMBIENT TEMP C	INITIAL ²	25K HR ²	50K HR ³	75K HR ³	100K HR ³
33L	25C	101%	94%	87%	81%	75%
38L	25C	101%	94%	87%	81%	75%

Luminaire Ordering Guide

TYPICAL ORDER EXAMPLE: **TRK22 LED 33L UNV DIM 40 80CRI**

Family Size	LED Gen	Lumen Package	Voltage	Driver	Color Temp	CRI	Controls	Options	Packaging
TRK22 - 2x2	LED	33L - 3300 38L - 3800	UNV - 120-277V	DIM - Dims to 10% (0-10V)	35 - 3500K 40 - 4000K	80CRI - 80 CRI	(Blank) - None	EM 10 - 10W Battery Backup	(Blank) - Single Pack

Note: While Supplies Last – Check Glaze fore reduced pricing on the TRK22 LED 33L UNV DIM 40 80CRI EM (8watt EM battery). When inventory depleted transition to 10 watt EM listed in the ordering guide.