

Catalog # :

Project :

Prepared By :

Date :



## LSI PROTECTOR™ STANDARD CANOPY SERIES (SCS)



The SCS LED Canopy Luminaire offers exceptional performance, efficiency and a unique LSI design. Features such as multiple lumen packages, outstanding efficacy and field serviceability make it an ideal commercial canopy solution. The contractor-friendly SCS canopy luminaire includes fasteners and a locking collar making installation easy and secure.



### Features & Specifications

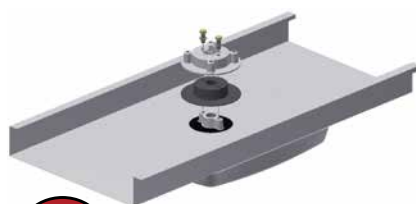
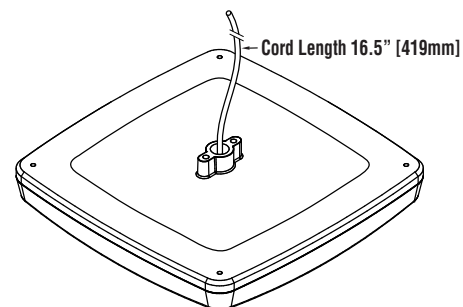
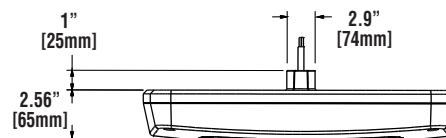
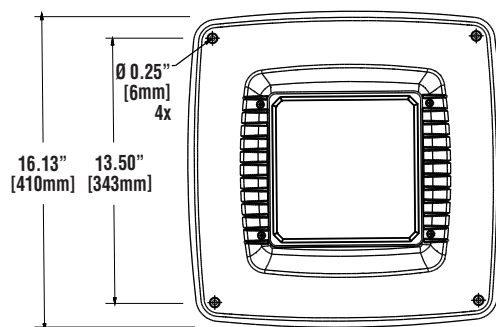
#### Optical System

- Symmetrical distribution directs uniform light through a clear tempered glass lens.
- Available in 5000K and 4000K color temperatures per ANSI C78.377.
- Minimum CRI of 70.

#### Electrical

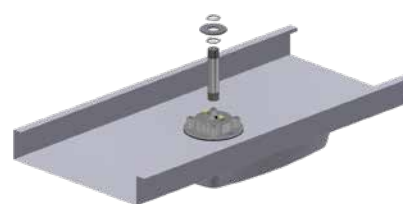
- High-performance driver features over-voltage, under voltage, short-circuit and over temperature protection.
- 0-10 volt dimming (10% - 100%) standard.
- Standard Universal Voltage (120-277 VAC) Input 50/60 Hz.
- LM80 Calculated Life: >100k Hours (See Lumen Maintenance chart)
- Total harmonic distortion: <20%
- Operating temperature: -40°C to +40°C (-40°F to +104°F) when mounted to Steel/Aluminum surfaces. If mounted to a non-metallic surface, reduce ambient by 5°C.
- Power factor: >0.90
- Input power stays constant over life.
- High-efficacy LEDs with integrated circuit board mount to the housing to maximize heat dissipation and promote long life.
- Driver components are fully encased in potting material for moisture resistance. Driver complies with FCC standards.
- Four fasteners secure access to driver and key components for below canopy servicing.

### Product Dimensions



#### Locking Collar

Aluminum locking collar and gasket are included and required for complete seal and support of canopy deck.



#### Conduit Stem Kit

Threaded 5" x 3/4" Conduit Stem and hardware are included to make retrofitting even easier by allowing the use of existing driver boxes and wiring connections on top of canopy.



# SCS STANDARD CANOPY SERIES



## Luminare Ordering Guide

TYPICAL ORDER EXAMPLE: **SCS LED 15L SC UNV DIM 50 WHT**

Prefix	Source	Light Package	Distribution	Voltage	Driver	Color Temp	Finish
<b>SCS</b> - Standard Canopy Series Luminaire	LED	<b>15L</b> - 15,000 <b>19L</b> - 19,000	<b>SC</b> - Standard Symmetric	<b>UNV</b> - 120 - 277 V	<b>DIM</b> - Standard 0-10V	<b>50</b> - 5000K <b>40</b> - 4000K (Consult factory for lead time on 4000K)	<b>WHT</b> - White

## Accessory Ordering Information

Description	Part Number
Retrofit Panel Kit - EC / ECTA / SCF to SCS, for 16" Deck Panel with larger openings <sup>1</sup>	673425
Retrofit Panel Kit - EC / ECTA / SCF to SCS, for 12" Deck Panel with larger openings <sup>2</sup>	676011
Retrofit Panel Kit - RECU Richmond to SCS	673426
Retrofit Panel Kit - UNV Universal 2x2 to SCS	673427
Retrofit 2x2 Cover Panel Blank (no holes)	357282
Retrofit RIC Cover Panel Blank (no holes)	354702

### ACCESSORY FOOTNOTES:

1. Ideal for 9" to 12" openings.
2. Ideal for 9" openings.

Description	Part Number
Junction Box	687461
Kit - Hole Plugs and Sealant (enough for 25 retrofits)	1320540
26" X 32" Beauty Plate Kit (with 4" Center hole)	564160WHT
26" X 26" Beauty Plate Kit (with 4" Center hole)	557193WHT
Rectangular Hole Kit (includes top plate and sealant)	678291WHT
Surface Mount Box (Available Soon)	673433

## Features & Specifications (cont.)

### Construction

- Rugged low-profile die-cast aluminum housing.
- Low profile 2.5" luminaire height and lightweight design target a broad range of applications and allow for easy installations.
- Fixtures are finished with a polyester powder coat to withstand extreme weather changes without cracking or peeling.
- Shipping weight: 15 lbs in carton.
- Suitable for wet locations.

### Installation

- Installs in a 12" or 16" deck pan.
- Deck penetration consists of a minimum 3" hole and four suitable fasteners, creating a simple installation. Four fasteners are provided with the fixture for use in single deck, metallic canopy substrates only when classified as suitable for use by installing professional. Otherwise, suitable fasteners should be provided by others.
- Unit is designed to quickly retrofit into existing Scottsdale (4") hole.
- Aluminum locking collar and gasket are included and required for complete seal and support of canopy deck.
- Retrofit panels are available for existing Encore, Richmond, 2x2 Universal, and more (see accessories section).

### Warranty

- LSI LED Fixtures carry a 5-year Protector Warranty.

### Listing

- Listed to UL 1598 and UL 8750.
- RoHS Compliant.
- Lighting Facts Approved.
- DesignLights Consortium® (DLC) qualified product. Not all versions of this product may be DLC qualified. Please check the DLC Qualified Products List at [www.designlights.org/QPL](http://www.designlights.org/QPL) to confirm which versions are qualified.

DELIVERED LUMENS*					
	4000K		5000K		
Lumen Level	Delivered Lumens	Efficacy	Delivered Lumens	Efficacy	Avg. Watts
15L	15,949	136	15,992	137	118
19L	20,105	134	20,403	136	151

\*LED Chips are frequently updated therefore values are nominal.

ELECTRICAL DATA - Current Draw AMPS*				
Lumen Level	120V	208V	240V	277V
15L	1.00	0.56	0.49	0.42
19L	1.26	0.73	0.63	0.55

\*Electrical data at 25C (77F). Actual wattage may differ by +/-10%.

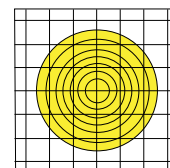
RECOMMENDED LUMEN MAINTENANCE <sup>1</sup>					
Ambient Temperature	0 hrs. <sup>2</sup>	25K hrs. <sup>2</sup>	50K hrs. <sup>2</sup>	75K hrs. <sup>2</sup>	100K hrs. <sup>2</sup>
0 C	100%	94%	88%	82%	76%
10 C	100%	93%	87%	81%	76%
20 C	100%	93%	86%	80%	74%
25 C	100%	93%	86%	79%	73%
30 C	100%	92%	85%	78%	72%
40 C	100%	91%	83%	76%	69%
50 C	100%	86%	74%	63%	54%

1 - Lumen maintenance values at 25°C are calculated per TM-21 based on LM-80 data and in-situ luminaire testing.

2 - In accordance with IESNA TM-21-11, Projected Values represent interpolated value based on time durations that are within six times (6X) the IESNA LM-80-08 total test duration (in hours) for the device under testing (DUT) i.e. the packaged LED chip).

## Photometry

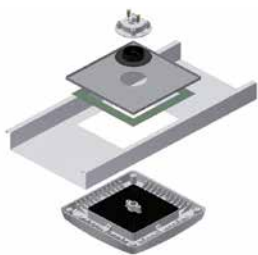
All published luminaire photometric testing performed to IESNA LM-79 standards by NV-LAP, certified laboratory. ISO footcandle plots below demonstrate the CBR7 light patterns only. Not for total fixture output. For complete specifications and IES files, see website.





## Retrofit Ordering Information

To Retrofit Product	New Construction	Installation Method(s) to identify necessary accessories (Follow all installation instructions)	Part Number
New Construction	New Construction	Use LSI supplied conduit stem with new LSI Junction Box.	687461
LSI Scottsdale	4" Hole	Remove existing fixture and use LSI included conduit stem with existing Scottsdale ballast box.	
		Remove existing Scottsdale and use LSI included conduit stem with new LSI Junction Box.	687461
LSI CRU/CRUS	4" Hole (possibly with EC plates)	Remove existing fixture and use LSI included conduit stem with new LSI Junction Box.	687461
LSI Encore Top Access (ECTA) LSI SCF	16" deck pan with 9" round hole	Remove existing fixture and use LSI included conduit stem with existing ECTA/SCF ballast box and Encore 16" Kit.	673425
		Remove existing fixture and use LSI included conduit stem with LSI Junction Box and new Encore 16" Kit.	673425
	12" deck pan with 9" round hole	Remove existing fixture and use LSI included conduit stem with existing ECTA/SCF ballast box and Encore 12" Kit.	676011
		Remove existing fixture and use LSI included conduit stem with new LSI Junction Box and new Encore 12" Kit.	687461 676011
LSI Encore (bottom access) Cree 304	16" deck pan with 12" square hole	Remove existing fixture and use LSI included conduit stem with new LSI Junction Box and new Encore 16" Kit.	687461 673425
Cree CAN-228 30 LED	16" deck pan with 7.375" x 11.375" rectangular hole	Remove existing fixture and use LSI included conduit stem with new LSI Junction Box and new Encore 16" Kit.	687461 673425
	12" deck pan with 7.375" x 11.375" rectangular hole	Remove existing fixture and use LSI included conduit stem with new LSI Junction Box and new Encore 12" Kit.	687461 676011
LSI CRO2 LSI CRO3 LSI CRS	5-hole pattern with 7" or 4" diameter (could be EC/ECTA retrofit of 9" or 12" hole)	Remove existing fixture and use LSI included conduit stem with existing CRO2/CRO3/CRS junction box.	
RECU Richmond Retrofit	Rectangular Richmond housing	Use new LSI RECU Accessory Kit.	673426
Total Replacement of: LSI Richmond Cree CAN-228 60LED Cree CAN-228 90LED	Rectangular hole 9.5" x 19.125" 7.375" x 16.125" 7.375" x 20.9375"	Remove existing fixture and use LSI included conduit stem with new LSI Rectangular Hole Kit (#TBD) and new LSI Junction Box.	678291WHT 687461
UNV (Universal 2x2) LSI Masters LSI Dakota Other similar 2x2 products	Surface mount 2x2 housing	Use new LSI UNV Accessory Kit.	673427
Remove Surface Mount Box	Conduit hole and possible discoloration of decking	Remove existing fixture and use LSI included conduit stem with new LSI Junction Box. [Possible need for beauty plates: 26" Beauty Plate (no holes) or 26" Beauty Plate with 4" center hole].	687461 357282 557193WHT
To install new Surface Mount Box	N/A	SURFACE MOUNT BOX KIT (AVAILABLE SOON)	673433



**Encore 16" Accessory Kit**  
(673425)  
Includes: top panel with sealant

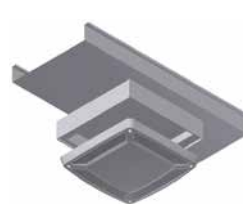
**Encore 12" Accessory Kit**  
(676011)  
Includes: top panel with sealant



**RECU Accessory Kit**  
(673426)  
Includes cover panel, guide panel, tether clip and hardware



**UNV Accessory Kit**  
(673427)  
Includes mounting panel with auxiliary latch, 4 inner flange brackets and hardware to attach panel to fixture



**Surface Mount Box Kit**  
(673433)  
Includes 2" deep housing with tether kit, tether bolt and mounting bolts.



**Rectangular Hole Kit**  
(678291WHT)  
Includes cover panel, top plate, hardware and sealant

