

STEEL RECESSED EMERGENCY UNIT

RSE

HOUSING

- 20 gauge steel construction with durable white powder coated finish
- Flush mounted design to be fully recessed into a drop ceiling, standard ceiling, or wall.
- Universal J-Box Mounting
- Completely Self Contained Meets ARRA Act of 2009 and Buy American Provisions

ILLUMINATION

- Two Fully Adjustable Par36 Thermoplastic Heads. Multiple Lamp Choices available.

BATTERY

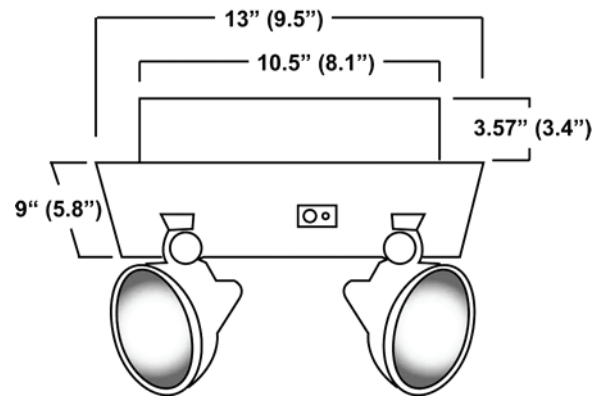
- Available with maintenance-free sealed lead acid or NiCad battery.
- 90 minute emergency run time
- 24 HR recharge time for sealed lead-acid batteries and 48 hour for NiCad battery option

ELECTRONICS

- Automatic Low Voltage Disconnect
- AC Lockout
- Brown-out Protection
- Dual input 120/277 60Hz
- Push to test switch, LED charge indicator
- SD2 self test/self-diagnostics Option available

CODE CONFORMANCE & STANDARDS

- UL 924 N.E.C., N.F.P.A. 101



ORDERING INFORMATION

TYPICAL ORDER EXAMPLE: **RSE 6 12 N TRW3 WH**

Prefix	Voltage	Watts	Battery	Lamp Heads	Housing Color	Options
RSE	6	18 - 18 Watt 25 - 25 Watt 36 - 36 Watt	L - Sealed Lead Acid N - Nickel Cadmium	TRW2 - 7 Watt Tungston TRW3 - 9 Watt Tungston TRW9 - 12 Watt Halogen	WH - White BK - Black	SD2-Self Test with Diagnostics TD - Time delay CB - Channel Bars for Drop Ceilings
	12	25 - 25 Watt 36 - 36 Watt		TSW4 - 9 Watt Tungston TSW5 - 12 Watt Tungston TSW6 - 18 Watt Tungston TSW8 - 8 Watt Halogen TSW10 - 12 Watt Halogen		