

Catalog # :

Project :

Prepared By :

Date :



# IHB2 LED 2FT Slim Industrial LED

With quick paybacks and efficiencies of up to 144 lumens per watt, the Industrial High Bay series is the best value high bay when upgrading from metal halide or fluorescent fixtures. Available in 5 lumen packages that produce a brighter and whiter light output and a smoother light pattern.

## Features & Specifications

### Optical System

- The optional high transmission lens, with 91% efficiency, is high impact, scratch resistant and protects the LEDs.
- Delivers improved visual comfort by eliminating any glare and providing a wider smoother and more uniform light output.
- LSI LEDs provide higher lumen output and greater energy efficiency
- Minimum CRI of 82.0

### Electrical

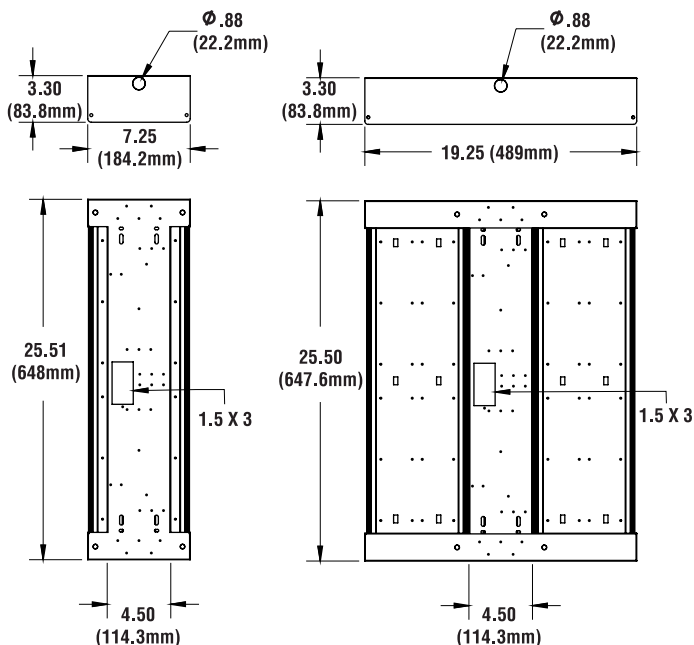
- Standard Universal Voltage (120-277 Vac) Input 50/60 Hz or optional High Voltage (347-480 Vac).
- L70 Calculated Life: 200,000+ Hours
- Driver is constant current, Class 2, 120-277 Vac, 50-60 Hz
- High Efficiency Driver: minimum 85%
- Driver Off-State Power is 0 Watts
- 0-10V dimming (1% - 100%) standard.
- Optional 120v-277v integral emergency battery pack is available to meet critical life safety lighting requirements. The 90-minute batteries provide constant power to the LED system, ensuring code compliance. A test switch/indicator button is installed on the housing for ease of maintenance.
- Emergency Backup Driver has 5W Input, 12W output.

### Construction

- Rigid housing is die-formed thick gauge steel and aluminum.
- All metal parts are painted after fabrication following treatment with phosphate rust inhibitor. Finish coating of housing reflecting surfaces is with high-reflectance white (minimum 92%) polyester powder.
- The lightweight heat sinks are designed to perform in ambient temperatures up to 55°C.
- The Quick Wire access panel allows for easy power connection.
- The IHB2 makes it possible to meet ESFR fire suppression system requirements due to the fixtures 7.25" width.
- LEDs manufactured for the IHB2 series utilize Epoxy Guard conformal coating which reduces the chance of board corrosion.
- Luminaire is proudly assembled in the U.S.
- Weight: 10.0 lbs



## Dimensions





# IHB2 LED 2FT Slim Industrial LED

## Features & Specifications (Cont.)

### Control

- Optional integral passive infrared motion sensors and daylight sensors activate switching of luminaire light levels (see page 3 for more details).

### Installation

- Suitable for suspension by chain, cable, or single (pendant) monopoint. To maintain ambient listing, mount minimum 6" from ceiling.

### Warranty

- LSI LED Fixtures carry a 5-year warranty.
- 1 Year warranty on optional Battery Back Up. Test regularly in accordance with local codes

### Listings

- LSI LED luminaires have been tested by an independent laboratory in accordance with IESNA LM-79 & LM-80.
- Listed to UL 1598 and UL 8750.
- RoHS Compliant.
- State of California Title 24.
- American Recovery and Reinvestment Act Funding Compliant.
- Suitable For Damp Locations.
- DesignLights Consortium Premium qualified luminaire, eligible for rebates from DLC member utilities.

## DLC Listings

IHB2		
Lumens	4000K	5000K
	DLC Prod. ID	DLC Prod. ID
9L	PJYR3G2V	P009TVZ7
12L	PLZGHE4A	P4AYS4LF
15L	P57MB8MZ	P20N7S7T
18L	POKA3KR3	PLA5V90C
24L	PZ5LINQS	PZU59KNE

DesignLights Consortium Premium qualified luminaires, eligible for rebates from DLC member utilities.

## Performance

IHB2						
Lumens	4000K			5000K		
	Delivered Lumens	Efficacy	Wattage	Delivered Lumens	Efficacy	Wattage
9L	10300	138.9	74.15	10300	140.62	73.46
12L	13720	150.47	91.18	13720	150.47	91.18
15L	15350	150.33	102.11	15350	150.33	102.11
18L	20240	139.03	145.58	20240	139.03	145.58
24L	25870	138.25	187.12	25870	138.25	187.12

IHB2 W/ DA LENS						
Lumens	4000K			5000K		
	Delivered Lumens	Efficacy	Wattage	Delivered Lumens	Efficacy	Wattage
9L	9631	130.33	73.9	9635	131.47	73.29
12L	12900	141.71	91.03	12900	141.71	91.03
15L	14310	140.42	101.91	14310	140.42	101.91
18L	18870	129.9	145.26	18870	129.9	145.26
24L	24230	129.91	186.52	24230	129.91	186.52

IHB2 W/ DA LENS		
Lumens	4000K	5000K
	DLC Prod. ID	DLC Prod. ID
9L	PHG9GHVQ	PVVL6Y10
12L	P6DEOQ9A	PERC3V8Z
15L	P03KQWZ3	P1B3H0HQ
18L	PTV3ZSQ4	PZVQWWI4
24L	PGUYW6S6	PK2ELU27

## Luminaire Ordering Guide

TYPICAL ORDER EXAMPLE: **IHB2 LED 9L LL UNV DIM 40**

Family Prefix	Light Source	Lumen Package	Diffuser / Distribution	Voltage	Driver	Color Temp	Options / Controls
IHB2 = 2' Industrial High Bay	LED	9L - 9000 <sup>2</sup> 12L - 12000 15L - 15000 18L - 18000 24L - 24000	LL = Less Lens DA = Diffused	UNV = Universal (120V-277V) HV = 347-480V Universal Voltage	DIM = Dim to 10% (0 to 10V)	40 = 4000K 50 = 5000K	'xC - x' Cord (No Plug) 'xT - x' 120V Cord & Plug 'xE - x' 208V Cord & Plug 'xF - x' 240V Cord & Plug 'xS - x' 277V Cord & Plug EM = Emergency Battery OC = Occupancy Sensor IMS = Integrated Motion Sensor

1 - x = 3', 6' and 10' lengths

2 - 9L are provided in 7.25 housing configuration



## Integrated Control Specifications



### Features

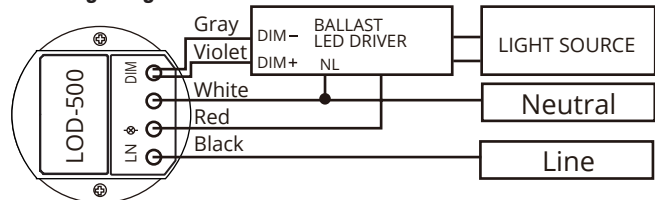
- Omni-directional quad element infrared sensor
- 100~277VAC universal line voltage powered
- Frequency detection zero-cross relay switching
- 0-10V selectable output for low dim control
- Walk test and sensor operation LED indicator
- Direct lead wires for easy wiring connections
- 8 rotary DIP switch selectable control modes

### Specifications

Power Supply	120/277VAC, 50/60Hz
Maximum Load	800W
Infrared Sensor	Omni-Directional Quad Element Pyroelectric
Detectable Speed	0.5~10 ft./second (0.15~3m/second)
Mounting Height	Subject to the lens type applied
Detection Range	Subject to the lens applied and height
Zero Crossing	Automatic frequency detection
Low Dim Control	0-10V
Dim Output Current	Max. 2mA @ 120VAC Max. 5mA @ 277VAC
Low Dim Level	0/5/10/20/25/33/50% selectable
Ambient Light Level	L: 20~50 lux, M: 80~130 lux, H: 500~600 lux
Delay Time Setting	1'3'/5'/10'/15'/20'/30' selectable
Time-Off Delay	10 min., TO modes only
Op. Humidity	Max. 95% RH
Op. Temperature	-40°F~131°F (-40°C~55°C)
Dimensions	Ø2.36" x 1.45"H (Ø60 x 37mm)

\*10 lux equals to approximately 1 ft. candle

### Wiring Diagram





## Occupancy Sensor Specifications



### Electrical

- Input Voltage: 120/227/347VAC
- Operational Frequencies: 50/60Hz
- Wire Designation: Line - Black, Load - Red, Neutral - White
- Load Rating:  
800VA@120VAC  
1200VA@277VAC  
1500VA@347VAC
- Mounted: 1/4 HP Motor Load @ 120V

### Environmental

- Operating Temperature Range: 14°F to 160°F

### Construction

- High Impact Housing
- Injection Molded Plastic
- Color Coded Wire Leads are 42" Long

### Specifications

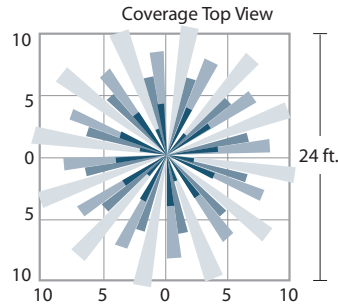
- Size: 3.5"W x 3.5"H x 1.25"D (8.89cm x 8.89cm x 3.175cm)
- Color: White
- UL and cUL certified, Photoelectric Switch, CEC Title 24 Compliant

### Controls

Timer Setting: 30 seconds - 20 minutes

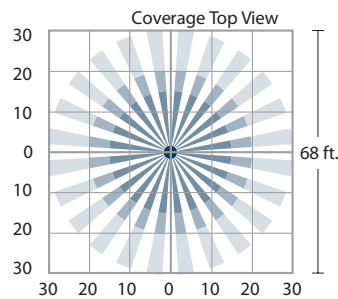
### Range & Coverage

The 360° PIR lens provides a 2:1 spacing to mounting height coverage under 25 ft. mounting and a 1.5:1 for heights up to 40 ft. mounting. The aisle lens is designed to provide detection of 60 ft. long by 20 ft. wide for heights up to 40 ft. mounting.



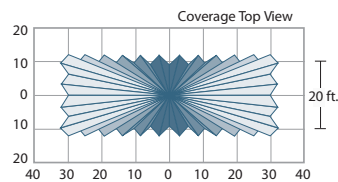
### High Bay Lens

Typical Mounting Height: 20-40'  
Optimal Coverage  
24' diameter at 20' height;  
increased coverage density  
Application  
high bay, open area



### Low Bay Lens

Typical Mounting Height: 8-20'  
Optimal Coverage  
40' diameter at 20' height;  
increased coverage density  
Application  
low bay, open area



### Aisle Lens

Typical Mounting Height: 20-40'  
Optimal Coverage  
60' linear x 20' width  
Application  
high bay, aisle ways

