

Catalog # :

Project :

Prepared By :

Date :



Excursion - EXN LED Parking Garage Luminaire



Shown with Uplight option

The EXN parking garage luminaire featuring edge-lit technology compliments any architectural setting and delivers energy efficient, uniform downlight for safety. This sleek fixture provides visual comfort with minimal glare and is ideal for parking garage, canopy and low bay applications. It is competitively priced, and easy to install.

Features & Specifications

Optical System

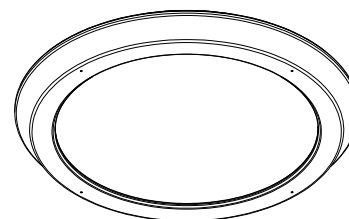
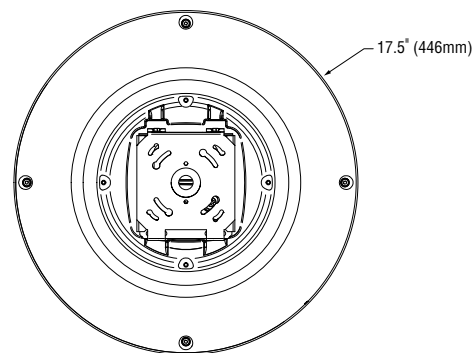
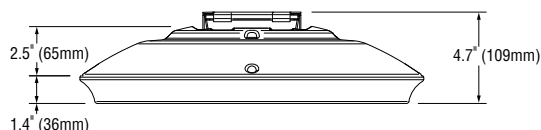
- Utilizes edge-lit technology providing best-in-class uniformity and excellent visual comfort with minimal glare.
- Optically clear acrylic light guide with tailored refractive distribution.
- Best in class high brightness LED's provide uniform light guide luminance with no dead spots.
- Choice of two high performance distributions: Type 5 Wide and Type 5 Narrow (a concentrated distribution for atrium and exit/egress applications).
- In addition to standard distributions, uplight adds 5% to the overall light output.
- Available in 5000K and 4000K color temperatures per ANSI C78.377.
- Minimum CRI of 70.

Electrical

- High-performance driver features over-voltage, under voltage, short-circuit and over temperature protection.
- 0-10 volt dimming (10% - 100%) standard.
- Standard Universal Voltage (120-277 Vac) Input 50/60 Hz. Optional High Voltage 347/480Vac Input available.
- L70 Calculated Life: > 100k Hours (See Lumen Maintenance Chart)
- Total harmonic distortion: <20%
- Operating temperature: -40°C to +50°C (-40°F to +122°F)
- Power factor: >.90
- Input power stays constant over life.
- High-efficacy LEDs with integrated circuit board mount directly to the housing to maximize heat dissipation and promote long life.
- Driver components are fully encased in potting material for moisture resistance. Driver complies with FCC standards.
- Field replaceable surge protection device meets a minimum Category C Low operation (per ANSI/IEEE C62.41.2).
- Optional 120v-277v integral 9 watt emergency battery pack is available to meet critical life safety lighting requirements. The 90-minute batteries provide constant power to the LED system, ensuring code compliance. The fixture delivers 1500 lumens during emergency mode. A test switch/indicator button is installed on the housing for ease of maintenance. Battery Backup not available on 10L and 11L lumen packages.



Product Dimensions



* Manufactured in USA by an American workforce of American and foreign parts using state-of-the-art equipment at our award-winning manufacturing facility in Ohio. Meets Buy American requirements within the ARRA.



Excursion - EXN LED Parking Garage Luminaire

Features & Specifications (Cont.)

Construction

- Precision die-cast aluminum housing and lens frame for durability and consistency.
- Architecturally pleasing with no visible electronics, hardware, or seams from ground level.
- Hinged 16ga Galvanized mounting bracket provided for ease of installation and maintenance.
- Wet location protects integral components from harsh environments.
- Luminaire is proudly manufactured in the U.S. of U.S. and Foreign parts.
- Fixtures are finished with LSI's DuraGrip® polyester powder coat finishing process. The DuraGrip finish withstands extreme weather changes without cracking or peeling. Other standard LSI finishes available. Consult factory.
- 3G rated for ANSI C136.31 high vibration applications (Direct Mount only).
- Shipping weight: 13.5 lbs in carton.

Controls

- Optional integral passive infrared motion sensor activates switching of luminaire light levels (see page 6 for more details).
- LSI's AirLink™ wireless control system options reduce energy and maintenance costs while optimizing light quality 24/7. (see page 7 for more details)

Installation

- Standard mounting is a rigid 3/4" pendant mount or direct surface mount to a 4" (102mm) octagon box (box by others).

Warranty

- LSI LED Fixtures carry a 5-year warranty.
- 1 Year warranty on optional Battery Back Up. Test regularly in accordance with local codes.

Listings

- ETL listed to UL 1598 and UL 8750 US / CAN
- RoHS Compliant.
- State of California Title 24
- American Recovery and Reinvestment Act Funding Compliant.
- Suitable for wet Locations.
- 3G rated for ANSI C136.31 high vibration applications (Direct Mount only).
- DesignLights Consortium® (DLC) qualified product. Not all versions of this product may be DLC qualified. Please check the DLC Qualified Products List at www.designlights.org/QPL to confirm which versions are qualified.

Specifications and dimensions subject to change without notice.

Performance

DELIVERED LUMENS*						
		4000K		5000K		
Lumen Level	Optic	Delivered Lumens	Efficacy	Delivered Lumens	Efficacy	Avg. Watts
3L	T5W	3140	140	3140	140	22
	T5N	3200	143	3200	143	
5L	T5W	5240	142	5240	142	37
	T5N	5340	144	5340	144	
6L	T5W	6260	141	6260	141	44
	T5N	6380	144	6380	144	
8L	T5W	8230	137	8230	137	60
	T5N	8390	140	8390	140	
10L	T5W	10010	132	10010	132	76
	T5N	10200	134	10200	134	
11L	T5W	11130	128	11130	128	87
	T5N	11340	130	11340	130	

*Lumen and watt values are nominal.

NOTE: Uplight adds 5% to the overall light output.

ELECTRICAL DATA*							
Lumen Level	Watts	120V	208V	240V	277V	347V	480V
3L	T5W/T5N	0.19	0.11	0.09	0.08	0.06	0.05
	T5WU/T5NU	0.20	0.11	0.10	0.09	0.07	0.05
5L	T5W/T5N	0.31	0.18	0.15	0.13	0.11	0.08
	T5WU/T5NU	0.33	0.19	0.16	0.14	0.11	0.08
6L	T5W/T5N	0.37	0.21	0.19	0.16	0.13	0.09
	T5WU/T5NU	0.39	0.23	0.20	0.17	0.14	0.10
8L	T5W/T5N	0.50	0.29	0.25	0.22	0.17	0.13
	T5WU/T5NU	0.53	0.31	0.27	0.23	0.18	0.13
10L	T5W/T5N	0.63	0.37	0.32	0.27	0.22	0.16
	T5WU/T5NU	0.67	0.39	0.34	0.29	0.23	0.17
11L	T5W/T5N	0.73	0.42	0.36	0.31	0.25	0.18
	T5WU/T5NU	0.77	0.44	0.38	0.33	0.27	0.19

*Electrical data at 25C (77F). Actual wattage may differ by +/-10%.

RECOMMENDED LUMEN MAINTENANCE ¹					
Ambient Temperature	0 hrs. ¹	25K hrs. ¹	50K hrs. ¹	75K hrs. ¹	100K hrs. ¹
0 C	100%	93%	86%	80%	74%
10 C	100%	93%	86%	80%	74%
20 C	100%	93%	86%	80%	74%
25 C	100%	94%	88%	83%	78%
30 C	100%	94%	88%	82%	77%
40 C	100%	93%	87%	80%	75%

¹ - In accordance with IESNA TM-21-11, Projected Values represent interpolated value based on time durations that are within six times (6X) the IESNA LM-80-08 total test duration (in hours) for the device under testing (DUT) i.e. the packaged LED'S).



Excursion - EXN LED Parking Garage Luminaire

Ordering Guide

TYPICAL ORDER EXAMPLE: **EXN D EGLED 8L T5W UNV DIM 40 70CRI ALSCS MSV**




Family	Mounting	LED Technology	Lumen Package*	Distribution	Voltage	Dimming	Color Temperature
EXN - Excursion Parking Garage Luminaire	D - Direct Mount	EGLED - Edge- Lit LED	3L - 3000 lms	T5W - Type V Wide	UNV - Universal Electronic (120V-277V) HV - High Voltage (347V- 480V)	DIM - Dim to 10% (0-10V)	40 - 4000K
	P - Pendant Mount 5ft Cord		5L - 5000 lms	T5N - Type V Narrow ²			50 - 5000K
	PL - Pendant Mount, 7ft Cord ¹		6L - 6000 lms	T5WU - Type V Wide Uplight (5% up) ³			
			8L - 8000 lms	T5NU - Type V Narrow Uplight (5% up) ^{2,3}			
			10L - 10000 lms				
	11L - 11000 lms						
			*Consult factory for programmable wattages and lumen packages.				

Color Rendering	Controls	EM	Finish	Packaging
70CRI - 70 Color Rendering Index	Blank - No Controls ALSC - Airlink Synapse Wireless Digital Controller ⁴ ALSCS1 - Airlink Synapse Wireless Digital Controller with Sensor (mounting 8 to 12 feet) ^{2,4} ALSCS2 - Airlink Synapse Wireless Digital Controller with Sensor (mounting 12 to 20 feet) ^{2,4} IMSOM1 - Integral Motion Sensor (mounting 8 to 12 feet) ^{2,5} IMSOM2 - Integral Motion Sensor (mounting 12 to 20 feet) ^{2,5}	Blank - No Option BB - Battery Backup ⁶ CWBB - Cold Weather Battery Backup ⁶	BLK - Black WHT - White MSV - Metallic Silver BRZ - Bronze	Blank - Single Pack JP - Job Pack (2 luminaires)

Footnotes:

- 1 - 7ft cord required when ordering stem ST 60 3.
- 2 - T5N/T5NU distribution combined with ALSCS1/2 & IMSOM1/2 controls are considered SPECIAL ORDERS; subject to longer lead-times and minimum order quantities.
- 3 - Bird Guard and Uplight can not be used together.
- 4 - HV not available with AirLink Synapse Wireless Controls.
- 5 - Sensor adjustable via a hand held remote; must be ordered separately.
- 6 - Battery Backup and Cold Weather Battery Backup available in UNV only; not available with external dimming or 10L and 11L. BB rated 50°C to 10°C. CWBB rated 50°C to -20°C.

Accessory Ordering Information (Field Installed)

Description	Order Number	Image
IMS Remote Configurator Tool	584929	N/A
Tamper Resistant Hardware Kit	685007	N/A
Bird Guard * Standard finishes available in white (WHT), black (BLK), metallic silver (MSV) and bronze (BRZ); other custom finishes available may require longer lead-times	695882CLR	
Wire Guard BLK only	695591	
House Side Shield BLK only	695593	



Excursion - EXN LED Parking Garage Luminaire

Canopy Accessories (Field Installed)

TYPICAL ORDER EXAMPLE: **BC600 3 BLK**

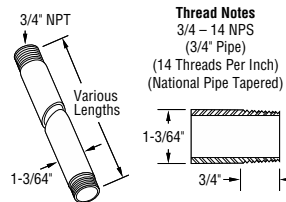
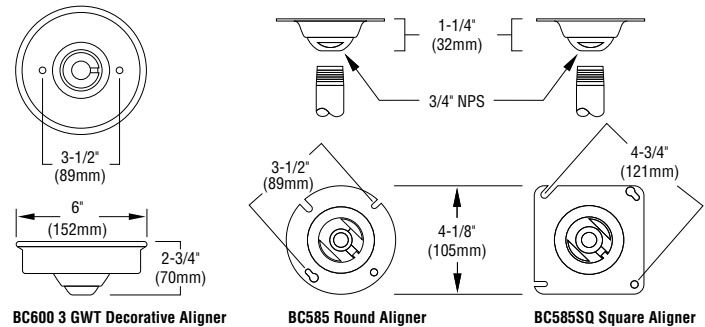
Description	Order Number	Image
3/4"(19mm) Top Decorative Box Cover Aligner	BC600 3	
3/4"(19mm) Top Round Box Cover Aligner	BC585	
3/4"(19mm) Top Square Box Cover Aligner	BC585SQ	

Stem Accessories (Field Installed)

TYPICAL ORDER EXAMPLE: **ST6 3 BLK**

Description	Order Number	Image
3/4" x 6" (19mmx152mm) Aluminum Stem	ST 6 3	
3/4" x 12" (19mmx .4m) Aluminum Stem	ST 12 3	
3/4" x 18" (19mmx .5m) Aluminum Stem	ST 18 3	
3/4" x 24" (19mmx .6m) Aluminum Stem	ST 24 3	
3/4" x 36" (19mmx .9m) Aluminum Stem	ST 36 3	
3/4" x 48" (19mmx 1.2m) Aluminum Stem	ST 48 3	
3/4" x 60" (19mmx 1.5m) Aluminum Stem (Must order PL - Pendant Mount, 7ft Cord)	ST 60 3	
3/4" (19mm) Aluminum Stem Coupler	COP 3	

* Standard canopy finishes available in white (WHT), black (BLK) and bronze (BRZ); other custom finishes available may require longer lead-times.



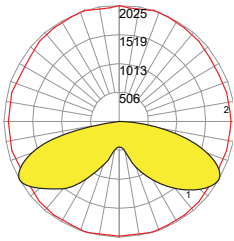


Excursion - EXN LED Parking Garage Luminaire

Photometry

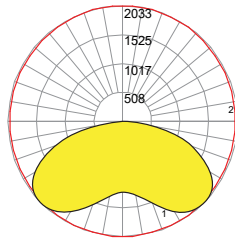
Luminaire photometry has been conducted by an accredited testing laboratory in accordance with IESNA LM-79-08. As specified by IESNA LM-79-08 the entire luminaire is tested as the source resulting in a luminaire efficiency of 100%.

See <http://www.lsi-industries.com/products/led-lighting-solutions.aspx> for detailed photometric data.



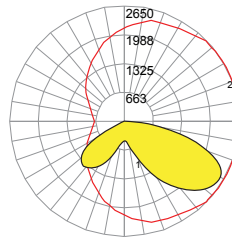
Type V Wide

#1 - Vertical Plane Through Horizontal Angles (90 - 270)
#2 - Horizontal Cone Through Vertical Angle (60)



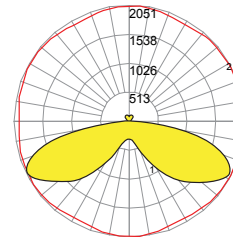
Type V Narrow

#1 - Vertical Plane Through Horizontal Angles (90 - 270)
#2 - Horizontal Cone Through Vertical Angle (45)



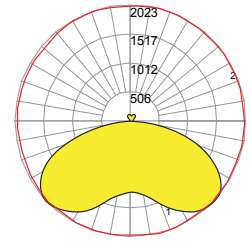
House Side Shield (T5W)

#1 - Vertical Plane Through Horizontal Angles (0 - 180)
#2 - Horizontal Cone Through Vertical Angle (60)



Type V Wide Uplight

#1 - Vertical Plane Through Horizontal Angles (90 - 270)
#2 - Horizontal Cone Through Vertical Angle (60)



Type V Narrow Uplight

#1 - Vertical Plane Through Horizontal Angles (90 - 270)
#2 - Horizontal Cone Through Vertical Angle (45)

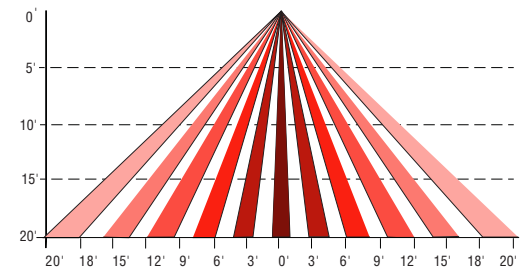
Controls

Occupancy Sensor (IMS)

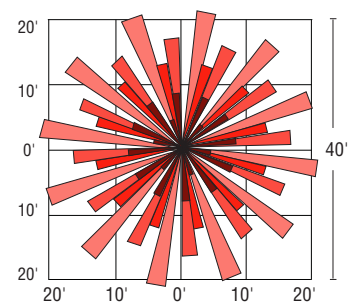
Optional integral passive infrared motion sensor activates switching of luminaire light levels. Standard Factory settings: High level light is activated and increased to full bright upon detection of motion. Low light level (30% maximum drive current) is activated when target zone is absent of motion activity for ~5 minutes. Sensor has a detection cone of approximately 45°, see coverage diagram. Optional configurator tool allows for easy and safe programming of each luminaire from the ground level.

Optional IMS Coverage Diagram

SIDE VIEW



TOP VIEW



IMS Remote Configurator Tool

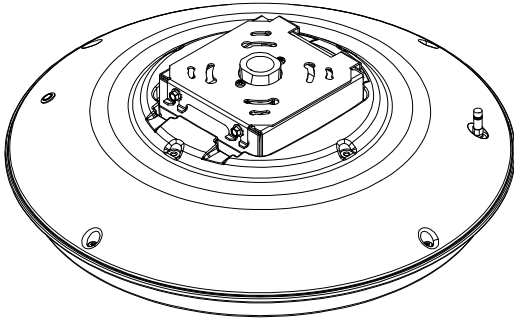


Specifications and dimensions subject to change without notice.



Excursion - EXN LED Parking Garage Luminaire

AirLink[™]
enabled by Synapse[®]



Wireless Lighting Controller

The AirLink integrated controller is a California Title 24 compliant lighting controller that provides real-time light monitoring and control with utility-grade power monitoring. It includes a 24V sensor input and power supply to connect a sensor into the outdoor AirLink wireless lighting system.

Features

- 2% Utility Grade Power Monitoring
- Up to 80% Savings through smart dimming
- Seamlessly integrates into the outdoor AirLink wireless lighting control solution & Self-healing Mesh Networking
- Secure, over-the-air upgrades to support future enhancements
- RF Range for Excursion is 50ft.
- Lights default to on for safety

Specifications

Regulatory Approvals

- FCC, IC, CE certified
- cULus Listed
- California Title 24 compliant

Contact LSI Controls



Sales

controls.sales@lsi-industries.com



Support

controls.support@lsi-industries.com
1 (800) 436-7800 (support, option 8)



More information

For more information on AirLink, visit our website at www.lsi-airlink.com/airlink