

Catalog # :

Project :

Prepared By :

Date :



LED WET LOCATION EXIT SIGN (EWS)



Features & Specifications

Electrical

- Standard Dual voltage (120/277 Vac) Input 60 Hz
- Optional Sealed, maintenance-free nickel-cadmium battery backup provides 90 minutes of emergency power
- Typical LED life >10 years
- Provided with Waterproof test switch and AC-On indicator
- Operating temperature: 10°C to 40°C (50°F to 104°F)
- 24hr Recharge
- UL 924 listed for Wet location
- Optional Remote-Capacity version offers up to an additional 3 Watts for 90 minutes
- Remote Capacity Unit will only power the Protector ERH Outdoor Remote Heads
- Optional RC versions utilizes maintenance-free nickel-metal hydride battery

Construction

- Exit letters measure 6" with a red or green diffuser.
- White Injection-molded high-impact rated Polycarbonate housing
- UV-stabilized, UL94 V-0 flame rated housing
- Field-selectable chevron directional indicator punch-outs
- Single pack shipping weight in carton: 4.5 lbs.
- Master carton quantity: 6pcs

Installation

- Top, back, J-box or end mounting through universal mounting plate and canopy
- Includes canopy and universal mounting plate.
- Conduit entry KO's located in top and side housing, with conduit fitting Included

Optical

- Single and Double Face capability

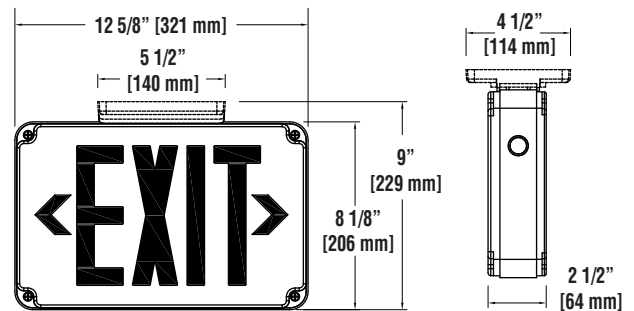
Warranty

- Five full year warranty on electronics/battery and unit.

Listings

- UL924 Listed for Damp Location
- NFPA 101
- NFPA 70-NEC
- CEC T20 Compliance
- OSHA

Product Dimensions



Ordering Guide

TYPICAL ORDER EXAMPLE: **EWS LED R UNV WHT**

Catalog Number	Description
EWS LED R UNV WHT	LED Wet Location Exit Sign, Red Face, Dual Voltage 120/277V, White
EWS LED G UNV WHT	LED Wet Location Exit Sign, Green Face, Dual Voltage 120/277V, White
EWS LED G UNV BB WHT RC	LED Wet Location Exit Sign, Green Face, Dual Voltage 120/277V, Nickel-Cadmium Battery Backup, White, Remote Capacity 3W for 90Mins

