

Catalog # :

Project :

Prepared By :

Date :



## LED MICRO EXIT SIGN (EMS)



### Features & Specifications

#### Electrical

- Standard Dual voltage (120/277 Vac) Input 60 Hz
- Optional Sealed, maintenance-free nickel-cadmium battery provides 90 minutes of emergency power
- Typical LED life >10 years
- Provided with test switch and AC-On indicator
- Operating temperature: 20°C to 30°C (68°F to 86°F)
- UL 924 listed for damp location
- AC Only or optional battery backup models
- Optional Remote-Capacity version offers up to an additional 3.44 Watts for 90 minutes
- Optional Self-Diagnostic version monitors battery/charger failure, battery disconnect and lamp failure
- Optional RC/RC+SD versions Maintenance-free nickel-metal hydride battery
- Remote Capacity Unit will only power the Protector ERH Indoor and Outdoor Remote Heads

#### Self Test/Diagnostic Features

- Fault identification for battery, charger, LED integral lamps and remotes
- Self-Testing monthly and annually for 90 minutes
- Manual testing for 90 minutes, 15 minute and 30 Seconds

#### Construction

- White Injection-molded high-impact rated thermoplastic housing
- UV-stabilized, UL94 V-0 flame rated housing
- Removable universal chevrons for directional indications
- Snap together design for quick and easy installation
- Option of wall or ceiling mount with included canopy
- Single pack shipping weight in carton: 2 lbs.
- Master carton quantity: 6pcs

#### Optical

- Single and Double Face capability

#### Installation

- Top, back, J-box or end mounting through universal mounting plate and canopy
- Snap-fit faceplate design for toolless installation

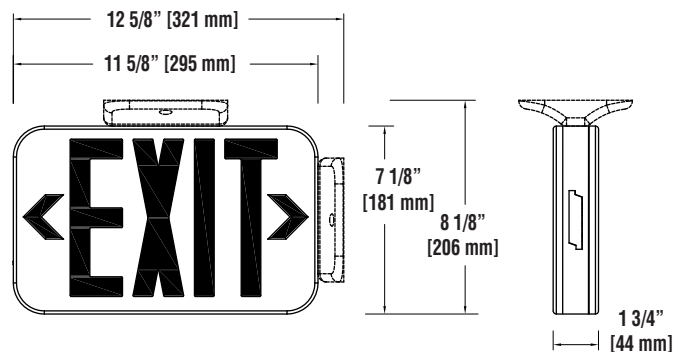
#### Warranty

- Five full year warranty on electronics/battery and unit.

#### Listings

- UL924 Listed for Damp Location
- NFPA 101
- NFPA 70-NEC
- CEC T20 Compliance
- OSHA

### Product Dimensions



### Ordering Guide

TYPICAL ORDER EXAMPLE: **EMS LED R UNV WHT**

Catalog Number	Description
EMS LED R UNV WHT	LED Micro Exit Sign, Red Face, Dual Voltage 120/277V, White
EMS LED R UNV BB WHT	LED Micro Exit Sign, Red Face, Dual Voltage 120/277V, Nickel-Cadmium Battery Backup, White
EMS LED G UNV WHT	LED Micro Exit Sign, Green Face, Dual Voltage 120/277V, White
EMS LED G UNV BB WHT	LED Micro Exit Sign, Green Face, Dual Voltage 120/277V, Nickel-Cadmium Battery Backup, White
EMS LED G UNV BB SD WHT	LED Micro Exit Sign, Green Face, Dual Voltage 120/277V, Nickel-Cadmium Battery Backup, Self Test/Diagnostic, White

