

PREMIUM SPEC EDGE-LIT EXIT SIGN

ELX

FEATURES

- 8" Letter Model NYC Approved
- Universal Mounting Aluminum Extrusion Housing
- Highly Visible, Optically True, Acrylic Panels
- Mirror Background Standard on all Double Face Signs
- Custom Signage Options Available (consult factory)
- Full Compliment of Specified Options
- Battery Access made easy from the Exterior for Recessed Applications
- External components easily accessed below ceilings
- Excellent choice for hard ceiling applications
- Meets ARRA Act of 2009 and Buy American Provisions.

ILLUMINATION

- High Intensity Red or Green LED Standard
- Low Energy consumption.
- Fully Illuminated 6" x 3/4" Letters or 8" Letters with 1" Stroke

BATTERY

- 6 Volt Lead Calcium is Standard
- 6 Volt Ni-Cad Battery is Optional
- 6 Volt Ni-HM Battery is Standard with SD2 Option

ELECTRONICS

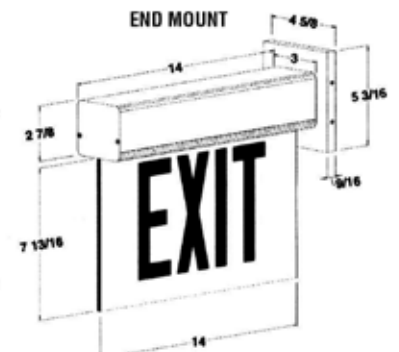
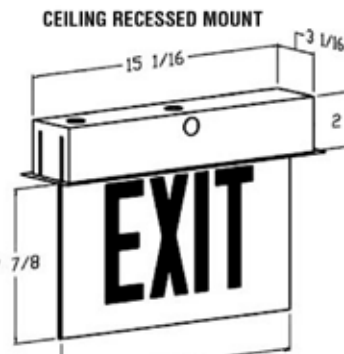
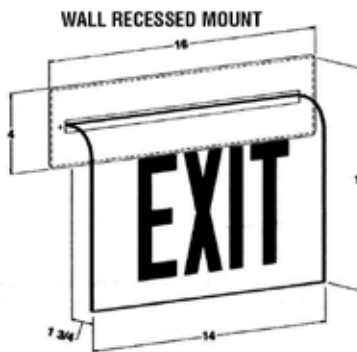
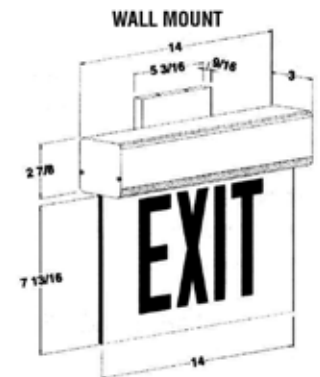
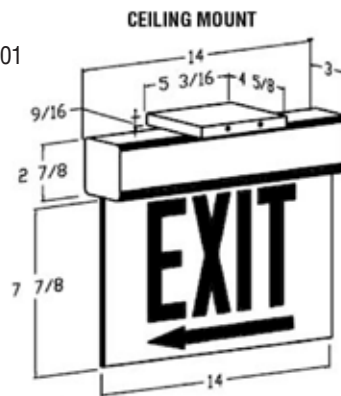
- 120/277 Dual Voltage with Test Button and LED AC/DC Indicator Light
- Overload & Short Circuit Protection
- Voltage Surge & Brown-out Protection
- Solid State Constant Current Charger with over-charge protection.
- Flasher / and Audible Options Meet ADA Regulations

MOUNTING

- Universal Mount Surface, Recessed Wall or Ceiling,
- Universal J-Box Mounting Pattern

CODE CONFORMANCE & STANDARDS

- UL 924 N.E.C, N.F.P.A. 101
- ETL Listed 90 min. Run Time / 24 Hr Recharge Time



ARRA
Funding Compliant

ORDERING INFORMATION

TYPICAL ORDER EXAMPLE: **ELX U 6 R 1C CL LB WH SD2**

Prefix	Mounting	Character Size	Letter Color	Number of Faces / Background Color	Chevron Arrow Code	Battery	Housing	Options
ELX - Premium Edge-lit Exit	U - Universal Surface Ceiling, End, or Wall Mount RE - Recessed	6 - 6" Tall Letters 3/4" Stroke 8 - 8" Tall Letters 1" Stroke	R - Red G - Green	1C-Single Face Clear 1W-Single Face White 1M-Single Face Mirror 2W-Double Face White 2M-Double Face Mirror	SINGLE FACE CODES: CL - Chevron Left CR - Chevron Right BC - Both Chevrons ZC - No Chevrons FC - Field Applicable Chevrons DOUBLE FACE CODES: SC - Single Chevrons BC - Both Chevrons (Left And Right Both Sides) FC - (4) Chevrons Field Applicable	LB - Less Battery WB - With Battery	WH - White BK - Black SA - Satin Aluminum	SD2 - Self Test/Self Diagnostics ² FL - Flasher AA - Audible Alarm FA - Flasher/ Audible Alarm IF - Fire Alarm Interface/Flasher IFA - Fire Alarm Interface/ Audible Alarm/Flasher 2C12 - 2 Cir. Input 120 Volt 2C127 - 2 Cir. Input 277 Volt PK12 - 12 Inch Pendant Kit PK24 - 24 Inch Pendant Kit PE12 - 12" Pendant Extension Kit PE24 - 24" Pendant Extension Kit

1 - Single face, clear panels only (R 1C or G 1C)

2 - SD2 option comes standard with NiMH battery. Not available with NiCad or without a battery.



Project Name _____ Fixture Type _____
Catalog # _____

10/25/18

© 2018
LSI INDUSTRIES INC.