

Catalog # :

Project :

Prepared By :

Date :



## EG3 2 2FT Wet Location LED



The EG3 fixture provides excellent lighting in heavy-duty, high-impact, reinforced fiberglass housing. With its vaportight design, it is ideal for utility, backroom, and cooler applications. Offered with high-impact acrylic lens and symmetrical distribution for outstanding light delivery.

### Features & Specifications

#### Electrical

- Projected life of at least 200,000 hours. Contact factory for TM-21 detail.
- Standard Universal voltage (120-277 Vac) input, 50/60Hz. Power factor > 0.9, THD < 20%, in-rush current < 15 Amps
- High-performance isolated driver features over-voltage, over-current and short circuit (with auto-recovery) protection. Driver module is sealed to IP65, IP66 and IP67 protection levels, with a Class A sound rating. 0-10 volt dimming standard.
- Operating Temperature: -40°C to 40°C (-40°F to 104°F)

#### Construction

- The inner gear tray is constructed of code gauge steel. The outer housing is constructed of fiberglass reinforced fiberglass. Gasketing in the housing is constructed of closed cell polyurethane. Conduit entrance is provided at both ends. All external hardware and hanging components are constructed of stainless steel.
- Finish coating of housing reflecting surfaces is with high-reflectance (minimum 92%) polyester powder.
- IP65 Certified / IP66 Certified / IP67 Certified (comparable to NEMA 6)
- NEMA 4X rated
- High pressure hose down (1500psi)
- Lens secured to housing with polycarbonate latches: 6 on the 2' housings. Optional stainless steel latches are securely spring clipped to the housing, eliminating latch fall off during servicing.
- Gear tray snaps in for easy driver access. Tray is retained by a safety tether attached to inside of housing.
- (2) Stainless steel mounting brackets are furnished with each fixture, and can be mounted to surface where required.

#### Installation

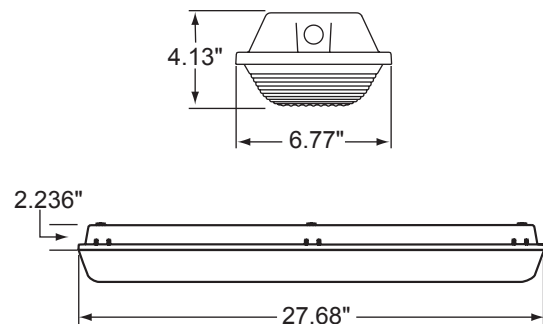
- Optional stainless steel V bracket or SB surface bracket accessory.
- For surface-mount and suspension-mount applications, accessories are to be ordered separately. See Accessories section.

#### Warranty

- LSI LED Fixtures carry a 5-year warranty.



### Dimensions





# EG3 2 2FT Wet Location LED

## Features & Specifications (Cont.)

### Listings

- Listed to UL 1598 and UL 8750.
- RoHS Compliant.
- American Recovery and Reinvestment Act Funding Compliant.
- UL Listed For Wet Locations.
- DesignLights Consortium Premium qualified luminaire, eligible for rebates from DLC member utilities.

## IP Rating

- 6 / Dust-Tight  
No ingress of Dust
- 5 / Protects against water jets  
Water projected from a nozzle against the enclosure from any direction shall have no harmful effect
- 6 / Protects against powerful  
Water projected in powerful jets against the enclosure from any direction shall have no harmful effect
- 7 / Protected against the effects of immersion  
Ingress of water in a harmful quantity shall not be possible when the enclosure is immersed in water under defined conditions of pressure and time.

## Mounting Accessories

Part #	Description
310967	10-foot Cable Hanging Set with Loop (pair)
357201	20-foot Cable Hanging Set with Loop (pair)
348901	Stainless Steel 45° mounting bracket for 4-foot fixture
348894	Stainless Steel 45° mounting bracket for 8-foot fixture

## Luminaire Ordering Guide

TYPICAL ORDER EXAMPLE: **EG3 2 LED 4L DA S UNV DIM 40 80**

Family Prefix	Fixture Length	Lighting Source	Lumen Package	Lens Type	Distribution	Voltage
EG3	2 = 2ft	LED	4L = 4400 Lumens	DA = Diffuse Acrylic CA = Clear Acrylic	S = Symmetric	UNV = Universal (120-277V)

Dimming	Color Temperature	Color Rendering	Mounting/Wiring	Latches
DIM = 0-10vdc	40 = 4000k 50 = 5000k	80 = 80CRI	Blank = Standard (Mounting clip and bails included) E6C = 6' foot black cord, no plug (Mounting clip and bails included)	Blank = Standard Nylon SL = Stainless Steel Latches

## Performance

Lumens	4000K			5000K		
	Delivered Lumens	Efficacy	Wattage	Delivered Lumens	Efficacy	Wattage
4L	4455	142.09	31.35	4624	144.17	32.07

## DLC Listings

EG3 2 LED		
Lumens	4000K	5000K
	DLC Prod. ID	DLC Prod. ID
4L	PL76UD00ZOGH	PL30GDTPEORK