

Catalog # :

Project :

Prepared By :

Date :

ADJUSTABLE SQUARE HEAD LED EMERGENCY LIGHT (EAS)



Features & Specifications

Optical System

- Dual fully Adjustable 0.8W LED Heads
- Track and swivel arrangement permits full range of lamp adjustment
- Optically Clear Injection Molded Polycarbonate Lens

Electrical

- Standard Dual voltage (120/277 Vac) Input 50/60 Hz
- Sealed, maintenance-free nickel-cadmium battery provides 90 minutes of emergency power
- Typical LED life >10 years
- Provided with test switch and AC-On indicator
- Operating temperature: 10°C to 40°C (50°F to 104°F)
- Optional Remote-Capacity version offers up to an additional 2.3 Watts for 90 minutes
- Optional Self-Diagnostic version monitors battery/charger failure, battery disconnect and lamp failure
- Optional RC/RC+SD versions Maintenance-free nickel-metal hydride battery
- Remote Capacity Unit will only power the Protector ERH Indoor and Outdoor Remote Heads

Self Test/Diagnostic Features

- Fault identification for battery, charger, LED integral lamps and remotes
- Self-Testing monthly and annually for 90 minutes
- Manual testing for 90 minutes, 15 minute and 30 Seconds

Construction

- White Injection-molded high-impact rated thermoplastic housing
- UV-stabilized, UL94 V-0 flame rated housing
- Snap together design for quick and easy installation
- Option of wall or ceiling mount
- Single pack shipping weight in carton: 1 lbs.
- Master carton quantity: 12pcs

Installation

- Universal J-box pattern knock-out
- Snap-together construction for speedy installation
- Universal mounting plate with quick-connect feature

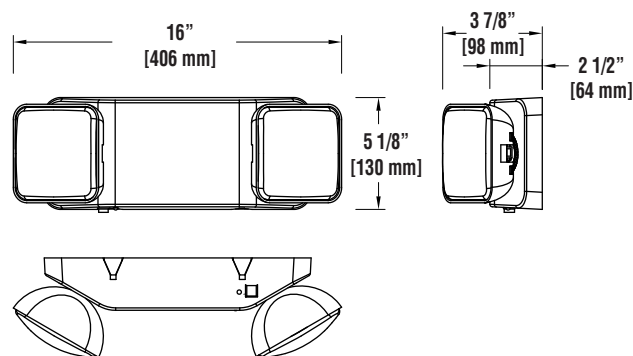
Warranty

- Five full year warranty on electronics/battery and unit.

Listings

- UL924 Listed for Damp Location NFPA 101 and NFPA 70 OSHA
- ADA Compliant
- NFPA 101
- NFPA 70-NEC
- OSHA

Product Dimensions



Ordering Guide

TYPICAL ORDER EXAMPLE:

EAS LED UNV WHT

Catalog Number	Description
EAS LED UNV SD WHT	LED Adjustable Square Head Damp Location Emergency Light, Dual Voltage 120/277V, Self Test/Diagnostic, White

