

LED INTERIOR RETAIL CEILING LIGHT (CIRU)



DOE LIGHTING FACTS

Department of Energy has verified representative product test data and results in accordance with its Lighting Facts Program. Visit www.lightingfacts.com for specific catalog strings.

LIGHT OUTPUT - CIRU							
		Lumens		Watts		LPW	
		Clear	Diffused	Clear	Diffused	Clear	Diffused
1	VHO - Very High Output	23,523	20,619	196	196	120	105
	HO - High Output	19,630	17,078	150	153	131	112
2	VHO - Very High Output	20,190	17,458	197	197	102	89
	HO - High Output	16,705	14,872	151	151	111	98

LED Chips are frequently updated therefore values may increase.

US patents 8382334, 8215799, 7952293 and US & Int'l. patents pending.

SMARTTEC™ ENERGY SAVING FEATURES

THERMAL CONTROL - LSI drivers feature integral sensor which reduces drive current, when ambient temperatures exceeds rated temperature.

HOUSING - Low profile, durable die-cast, aluminum construction, providing a reliable weather-tight seal.

LEDS - Select, mid-power, high brightness, LED chips; 50 - 5000K color temperature, 70 CRI or 40 - 4000K color temperature, 80 CRI.

DRIVE CURRENT - Choice of High Output (HO) or Very High Output (VHO).

OPTICS / DISTRIBUTION - Available with (SC) standard ceiling distribution, which directs light through a clear tempered glass lens, to provide a uniform distribution of light to vertical and horizontal surfaces.

OPTICAL UNIT - Features an ultra-slim 3/4" profile die cast housing, with a clear tempered glass lens. Unit is water-resistant, sealed to an IP67 rating. Integral designed heat sink does not trap dirt and grime, ensuring cool running performance over the life of the fixture.

PRESSURE STABILIZING VENT - Luminaire assembly incorporates a pressure stabilizing vent breather to prevent seal fatigue and failure.

DRIVER - State-of-the-art driver technology superior energy-efficiency and optimum light output. LSI driver components are fully encased in potting for IP65 moisture resistance. Complies with IEC and FCC standards.

DRIVER HOUSING - Fabricated aluminum, driver/electrical enclosure is mounted to back of optical assembly to provide easy "knock-out" connection of primary wiring.

OPERATING TEMPERATURE - -40°C to 40°C (-40°F to +104°F)

ELECTRICAL - Voltage specific power supply, 120-277 VAC, 50/60 HZ input. LSI drivers meets IEEE C62.41.2-2002, Scenario 1, Location Category C.

FINISH - Standard color is white and is finished with LSI's DuraGrip polyester powder coat process. DuraGrip withstands extreme weather changes without cracking or peeling.

INSTALLATION - Pre-assembled standard unit installs in interior T-bar grid ceiling applications via a choice of 2x2 mounting pan or flange kit. Mounting pan includes earthquake clips to secure fixture in grid ceiling. Accessory flange kit available for installing in drywall or plaster. Low profile design requires only 12" minimum clearance.

SHIPPING WEIGHT - 20 pounds.

EXPECTED LIFE - Minimum 60,000 to 100,000 hours depending upon the ambient temperature of the installation location. See LSI web site for specific guidance.

WARRANTY - Limited 5-year warranty.

LISTING - UL listed to UL 1598, UL 8750 and other U.S. and International safety standards. Suitable for damp locations. For a list of the specific products in this series that are DLC listed, please consult the LED Lighting section of our website or the Design Lights website at www.designlights.org.

PHOTOMETRICS - Applications layouts are available upon request.

This product, or selected versions of this product, meet the standards listed below. Please consult factory for your specific requirements.



Project Name _____ Fixture Type _____

Catalog # _____

07/31/17

© 2017
LSI INDUSTRIES INC.

LED INTERIOR RETAIL CEILING LIGHT (CIRU)

LUMINAIRE ORDERING INFORMATION

TYPICAL ORDER EXAMPLE: **CIRU SC LED HO 50 120 2x2 WHT DFL**

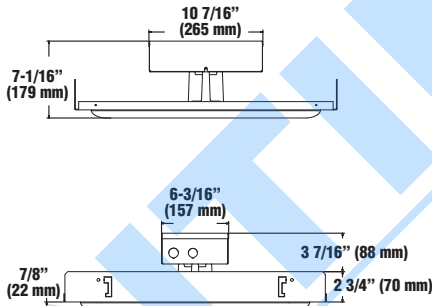
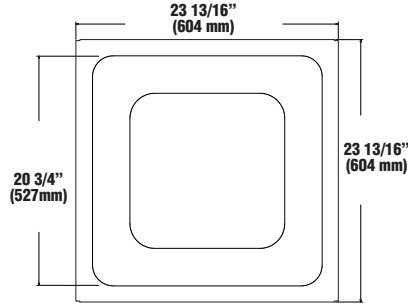
Prefix	Distribution	Light Source	Drive Current	Color Temperature	Line Voltage	Mounting	Finish	Options
CIRU-Crossover Interior Retail Ceiling	SC - Standard	LED	HO - High Output VHO - Very High Output	50 - 5000K 40 - 4000K	120 - 120V 208 - 208V 240 - 240V 277 - 277V 347 - 347V	2x2 - 2x2 T-bar Grid Ceiling	WHT - White	DIM - 0-10v Dimming DFL - Diffused Lens

ACCESSORY ORDERING INFORMATION (Accessories are field installed)	
Description	Order Number
2x2 Flange Kit	FK221

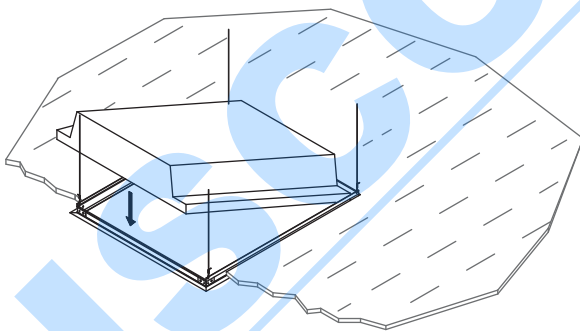
FOOTNOTES:

1 - FK22 is used for mounting to Sheetrock or Drywall ceilings. It requires attaching via framing members or suspending from structure.

DIMENSIONS



Requires minimum 12" clearance above ceiling for installation.



Flange Kit



Project Name _____ Fixture Type _____
 Catalog # _____