

LSI ABOLITE DECORATIVE REMOTE BALLASTS



Side View

Add 1-3/4" to height for Pendant Mount option

7-5/8" (194mm)

11" (279mm)
3/4" Conduit. Specify Separately. See ST Type Stems in Accessories

Top View

3-3/8" (86mm)

3-3/8" (86mm)

3-1/2" (89mm)



FINISH - Gloss white, textured black, metallic silver, or graphite powder.

HOUSING - Die-cast aluminum.

LAMP OPTIONS - 50, 70 or 100 Watt Metal Halide lamps or 175, 250 or 400 Watt Pulse-Start Metal Halide lamps.

BALLAST - High Reactance/High Power Factor (50 or 70 Watt) or Constant Wattage Autotransformer (100 Watt) Metal Halide and (175, 250 and 400 Watt) Pulse-Start Metal Halide.

MOUNTING - Surface mounts to recessed 4" octagonal or square box (by others). Bottom of ballast is designed to allow 3/4" conduit (specify separately) to swivel mount up to 37 degrees. Optional pendant mount available.

Direct Mount



Pendant Mount



Ballast	Designed for Lamp Type	Type Circuit	Distance to Lamp	Net Weight (lbs./kg)
DRB2 50 MH	50 Watt Metal Halide	HX-HPF	50 ft. (15m)	10 (4.55kg)
DRB2 70 MH	70 Watt Metal Halide	HX-HPF	50 ft. (15m)	11 (5kg)
DRB2 100 MH	100 Watt Metal Halide	HX-HPF or CWA	50 ft. (15m)	12 (5.4kg)
DRB2 175 PSMV	175 Watt Pulse-Start Metal Halide	CWA	50 ft. (15m)	15 (6.8kg)
DRB2 250 PSMV	250 Watt Pulse-Start Metal Halide	CWA	50 ft. (15m)	17 (7.7kg)
DRB2 400 PSMV	400 Watt Pulse-Start Metal Halide	CWA	50 ft. (15m)	21 (9.5kg)

Fixture Prefix	Rated Wattage	Light Source	Line Voltage	Color	Factory Installed Options	Field Installed Accessories
DRB2	50 70 100	MH	120 MT - Multi-Tap 120/277 208/240 ¹	GWT - Gloss White BLK - Textured Black GPT - Textured Graphite MSV - Metallic Silver	PM - Pendant Mount Box	SCK - Safety Chain Kit
	175 250 400		PSMV ²			

DRB2	175	PSMV	MT	MSV	PM
-------------	------------	-------------	-----------	------------	-----------

ARRA
Funding Compliant

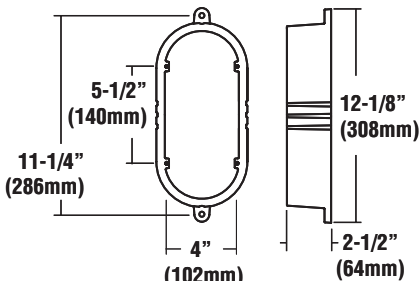
- 1- This circuit contains a HX-HPF Reactor Circuit with starting amps higher than operating amps.
- 2- Consult factory for other light sources available for export.



wet location

CRB - Contemporary Remote Ballast

- Designed for the CWB Wall Brackets.
- Operates 26/32/42 Watt Compact Fluorescent lamps and 50 through 100 Watt Metal Halide medium base lamps.
- Electronic ballast promotes superior lamp performance.
- Housing of cast aluminum.
- Finish is gloss white powder. Optional RLM colors available.
- Mounts to wall, over recessed 4" octagon box (box by other).
- Fully gasketed for Wet Locations.



Indoor/Outdoor Catalog Number	Designed for Lamp type	Distance to Lamp	Net Weight
CRB 26/32/42 CFL UE GWT	26/32/42 Watt PL-T 4-Pin Base	12 ft. (5m)	5 lb. (2kg)
CRB 50 EMH UE GWT	50 Watt Metal Halide - Med. Base	5 ft. (2m)	5 lb. (2kg)
CRB 70 EMH UE GWT	70 Watt Metal Halide - Med. Base	5 ft. (2m)	5 lb. (2kg)
CRB 100 EMH UE GWT	100 Watt Metal Halide - Med. Base	5 ft. (2m)	5 lb. (2kg)



Project Name _____ Fixture Type _____
Catalog # _____

10/22/15

© 2015
LSI INDUSTRIES INC.

LSI ABOLITE REMOTE BALLASTS

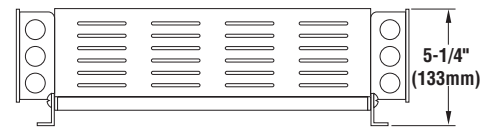
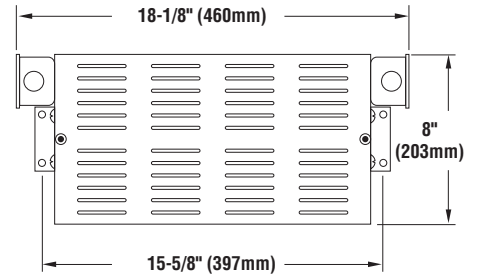
RB2 - Indoor Remote Ballasts

- Highest quality Class H core and coil.
- Case constructed of and finished in heavy-gauge pregalvanized steel.
- High Power Factor Design.

RB2 ordering data

Indoor Catalog Number	Designed for Lamp Type	Distance to Lamp	Net Weight
RB2 50 MH MT	50 Watt Metal Halide	50 ft.	10 lbs.
RB2 70 MH MT	70 Watt Metal Halide	50 ft.	11 lbs.
RB2 100 MH 120/277	100 Watt Metal Halide	50 ft.	12 lbs.
RB2 100 MH 208/2401	100 Watt Metal Halide	50 ft.	12 lbs.
RB2 175 PSMH MT	175 Watt Pulse-Start Metal Halide	50 ft.	15 lbs.
RB2 250 PSMH MT	250 Watt Pulse-Start Metal Halide	50 ft.	17 lbs.
RB2 400 PSMH MT	400 Watt Pulse-Start Metal Halide	50 ft.	21 lbs.

1- This circuit contains a HX-HPF Reactor Circuit with starting amps higher than operating amps. For international voltages and light sources, consult factory.
 MT – Multi Tap is shipped standard unless otherwise specified. Multi Tap consists of 120V, 208V, 240V, and 277V. Multi Tap is pre-wired for highest voltage. Alternate voltages will require field re-wiring.

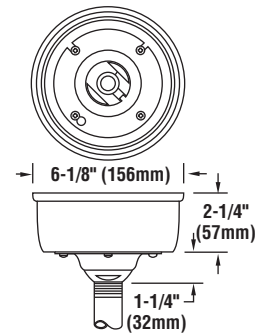


SMB - Canopy CFL Ceiling Mount Ballasts

- Designed for indoor applications.
- Operates 26, 32, and 42 Watt CFL-T4 Pin lamps.
- Highest quality electronic ballast.
- Housing of cast aluminum.
- Finish is gloss white powder. Optional RLM colors available.
- Mounts to recessed 4" octagonal box (by other).
- Swivel design accommodates up to 37° slope ceiling.
- Designed to accept 3/4" NPT conduit or CS 5-wire CFL cord set.

SMB Style ORDERING DATA

Indoor Catalog Number	Designed for Lamp Type	Distance to Lamp	Net Weight
SMB 26/32/42 CFL UE GWT	26/32/42 Watt PL-T 4-Pin	12 ft.	1 lb.

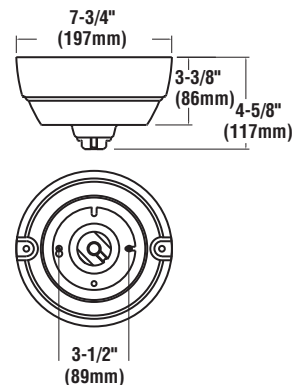


SMB2 - Canopy EMH and CFL Ceiling Mounted Ballasts

- Designed for Indoor Applications.
- Operates 50 through 100 Watt Metal Halide medium base lamps or 26, 32, and 42 Watt CFL-T4 Pin lamps.
- Electronic ballast promotes superior lamp performance.
- Housing of cast aluminum.
- Finish is gloss white powder. Optional RLM colors available.
- Mounts to recessed or surface 4" octagonal box (by other).
- Swivel design accommodates up to 37° slope ceiling.
- Designed to accept 3/4" NPT conduit or CS 5-wire CFL cord set.

SMB2 STYLE ORDERING DATA

Indoor/Outdoor Catalog Number	Designed for Lamp Type	Distance to Lamp	Net Weight
SMB2 50 EMH UE GWT	50 Watt Metal Halide - Med. Base	5 Feet	6.5 lbs.
SMB2 70 EMH UE GWT	70 Watt Metal Halide - Med. Base	5 Feet	6.5 lbs.
SMB2 100 EMH UE GWT	100 Watt Metal Halide - Med. Base	5 Feet	6.5 lbs.
SMB2 26/32/42/CFL UE GWT	26/32/42 Watt PL-T 4-Pin	12 Feet	6.5 lbs.

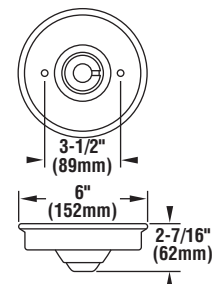


BC600 - Decorative Canopy Ceiling Mount Ballasts

- Designed for indoor applications.
- Operates 2-lamp 26, 32, and 42 Watt CFL-T4 Pin lamps.
- Highest quality electronic ballast.
- Housing of spun steel.
- Finish is gloss white powder. Optional RLM colors available.
- Mounts to recessed 4" octagonal box (by other).
- NOT recommended slope ceiling.
- Designed to accept 3/4" NPT conduit.

BC600 2-lamp STYLE ordering data

Indoor/Outdoor Catalog Number	Designed for Lamp Type	Distance to Lamp	Net Weight
BC 600 26/32/42 CFL2 UE	26/32/42 Watt PL-T 4-Pin	6 ft.	1 lb.



Project Name _____ Fixture Type _____
 Catalog # _____