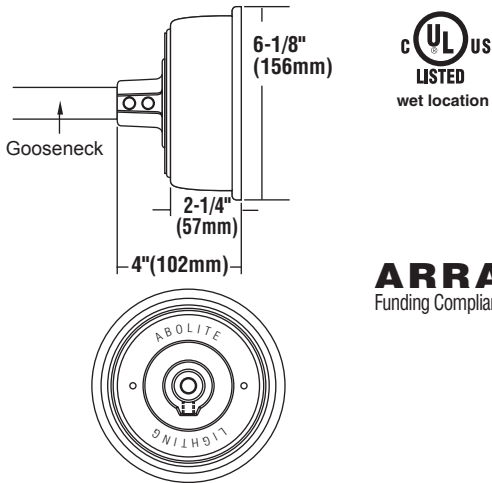
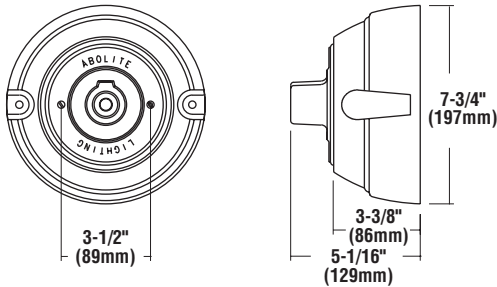


LSI ABOLITE REMOTE BALLASTS



Shown with CA5 Wall Plate supplied with Abolite gooseneck brackets (order separately).



Shown with CA5 Wall Plate supplied with Abolite gooseneck brackets (order separately).



WMB - Weather-tight CFL Wall Mount Ballasts

- Designed for outdoor or wet locations.
- Operates 26, 32, and 42 Watt CFL-T4-Pin lamps.
- Highest quality electronic ballast.
- Allows operation of lamps down to -18°C/0°F.
- Housing of cast aluminum.
- Gloss white powder finish. Optional RLM colors available.
- Mounts to recessed 4" octagonal box (by other).

WMB STYLE ORDERING DATA

Indoor/Outdoor Catalog Number	Designed for Lamp Type	Distance to Lamp	Net Weight
WMB 26/32/42 CFL UE GWT	26/32/42 Watt PL-T 4-Pin	12 ft.	1 lb.

WMB2 - Weather tight EMH and CFL Wall Mounted Ballasts

- Designed for Outdoor/Indoor wet or damp locations.
- Operates 50 through 100 Watt Metal Halide medium base lamps or 26, 32, and 42 Watt CFL-T 4-Pin lamps.
- Electronic ballast promotes superior lamp performance.
- Housing of cast aluminum.
- Finish is gloss white powder. Optional RLM colors available.
- Mounts to recessed or surface 4" octagonal box (by other).
- Designed to accept Gooseneck Brackets (order separately).

WMB2 STYLE ORDERING DATA

Indoor/Outdoor Catalog Number	Designed for Lamp Type	Distance to Lamp	Net Weight
WMB2 50 EMH UE GWT	50 Watt Metal Halide - Med. Base	5 Feet	6 lbs.
WMB2 70 EMH UE GWT	70 Watt Metal Halide - Med. Base	5 Feet	6 lbs.
WMB2 100 EMH UE GWT	100 Watt Metal Halide - Med. Base	5 Feet	6 lbs.
WMB2 26/32/42 CFL UE GWT	26/32/42 Watt PL-T 4-Pin	12 Feet	12 lbs.

WTRB - Weather-tight Remote Ballasts

- Highest quality Class H core and coil.
- Finish is white textured powder. Optional textured RLM colors available.
- High Power Factor Design.

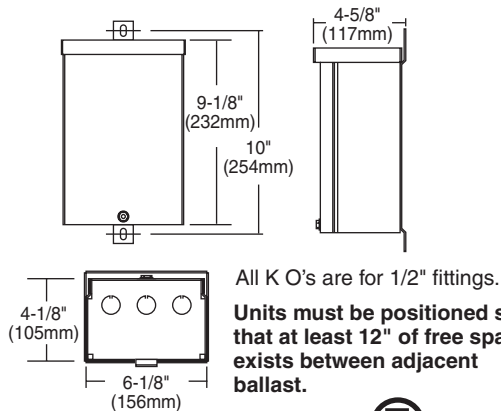
WTRB STYLE ORDERING DATA

Indoor/Outdoor Catalog Number	Designed for Lamp Type	Distance to Lamp	Net Weight
WTRB 50 MH MT WHT	50 Watt Metal Halide	50 ft.	10 lbs.
WTRB 70 MH MT WHT	70 Watt Metal Halide	50 ft.	11 lbs.
WTRB 100 MH 120/277	100 Watt Metal Halide	50 ft.	12 lbs.
WTRB 100 MH 208/2401	100 Watt Metal Halide	50 ft.	12 lbs.
WTRB 150 MH MT	150 Watt Metal Halide	50 ft.	12 lbs.
WTRB 175 PSMH MT WHT	175 Watt Pulse-Start Metal Halide	50 ft.	15 lbs.
WTRB 26/32/42 CFL UE WHT	26/32/42 Watt PL-T 4-Pin	12 ft.	8 lbs.

1- This circuit contains a HX-HPF Reactor Circuit with starting amps higher than operating amps.

NOTES

For international voltages and light sources, consult factory. MT – Multi Tap is shipped standard unless otherwise specified. Multi Tap consists of 120V, 208V, 240V, and 277V. Multi Tap is pre-wired for highest voltage. Alternate voltages will require field re-wiring.



Project Name _____ Fixture Type _____
 Catalog # _____

10/22/15

© 2015
 LSI INDUSTRIES INC.

LSI ABOLITE REMOTE BALLASTS

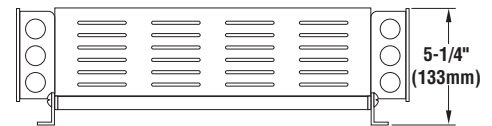
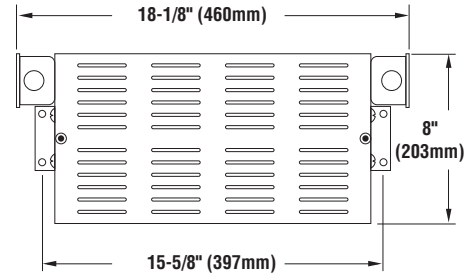
RB2 - Indoor Remote Ballasts

- Highest quality Class H core and coil.
- Case constructed of and finished in heavy-gauge pregalvanized steel.
- High Power Factor Design.

RB2 ordering data

Indoor Catalog Number	Designed for Lamp Type	Distance to Lamp	Net Weight
RB2 50 MH MT	50 Watt Metal Halide	50 ft.	10 lbs.
RB2 70 MH MT	70 Watt Metal Halide	50 ft.	11 lbs.
RB2 100 MH 120/277	100 Watt Metal Halide	50 ft.	12 lbs.
RB2 100 MH 208/2401	100 Watt Metal Halide	50 ft.	12 lbs.
RB2 175 PSMH MT	175 Watt Pulse-Start Metal Halide	50 ft.	15 lbs.
RB2 250 PSMH MT	250 Watt Pulse-Start Metal Halide	50 ft.	17 lbs.
RB2 400 PSMH MT	400 Watt Pulse-Start Metal Halide	50 ft.	21 lbs.

1- This circuit contains a HX-HPF Reactor Circuit with starting amps higher than operating amps. For international voltages and light sources, consult factory.
 MT – Multi Tap is shipped standard unless otherwise specified. Multi Tap consists of 120V, 208V, 240V, and 277V. Multi Tap is pre-wired for highest voltage. Alternate voltages will require field re-wiring.

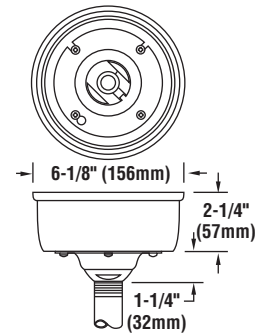


SMB - Canopy CFL Ceiling Mount Ballasts

- Designed for indoor applications.
- Operates 26, 32, and 42 Watt CFL-T4 Pin lamps.
- Highest quality electronic ballast.
- Housing of cast aluminum.
- Finish is gloss white powder. Optional RLM colors available.
- Mounts to recessed 4" octagonal box (by other).
- Swivel design accommodates up to 37° slope ceiling.
- Designed to accept 3/4" NPT conduit or CS 5-wire CFL cord set.

SMB Style ORDERING DATA

Indoor Catalog Number	Designed for Lamp Type	Distance to Lamp	Net Weight
SMB 26/32/42 CFL UE GWT	26/32/42 Watt PL-T 4-Pin	12 ft.	1 lb.

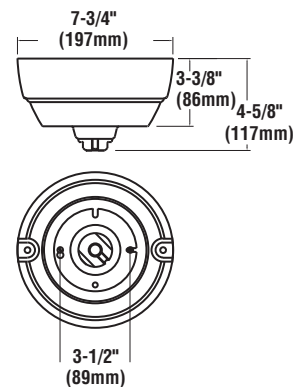


SMB2 - Canopy EMH and CFL Ceiling Mounted Ballasts

- Designed for Indoor Applications.
- Operates 50 through 100 Watt Metal Halide medium base lamps or 26, 32, and 42 Watt CFL-T4 Pin lamps.
- Electronic ballast promotes superior lamp performance.
- Housing of cast aluminum.
- Finish is gloss white powder. Optional RLM colors available.
- Mounts to recessed or surface 4" octagonal box (by other).
- Swivel design accommodates up to 37° slope ceiling.
- Designed to accept 3/4" NPT conduit or CS 5-wire CFL cord set.

SMB2 STYLE ORDERING DATA

Indoor/Outdoor Catalog Number	Designed for Lamp Type	Distance to Lamp	Net Weight
SMB2 50 EMH UE GWT	50 Watt Metal Halide - Med. Base	5 Feet	6.5 lbs.
SMB2 70 EMH UE GWT	70 Watt Metal Halide - Med. Base	5 Feet	6.5 lbs.
SMB2 100 EMH UE GWT	100 Watt Metal Halide - Med. Base	5 Feet	6.5 lbs.
SMB2 26/32/42/CFL UE GWT	26/32/42 Watt PL-T 4-Pin	12 Feet	6.5 lbs.

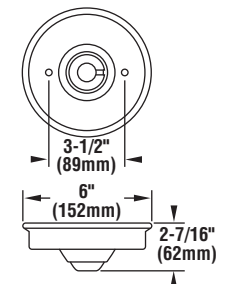


BC600 - Decorative Canopy Ceiling Mount Ballasts

- Designed for indoor applications.
- Operates 2-lamp 26, 32, and 42 Watt CFL-T4 Pin lamps.
- Highest quality electronic ballast.
- Housing of spun steel.
- Finish is gloss white powder. Optional RLM colors available.
- Mounts to recessed 4" octagonal box (by other).
- NOT recommended slope ceiling.
- Designed to accept 3/4" NPT conduit.

BC600 2-lamp STYLE ordering data

Indoor/Outdoor Catalog Number	Designed for Lamp Type	Distance to Lamp	Net Weight
BC 600 26/32/42 CFL2 UE	26/32/42 Watt PL-T 4-Pin	6 ft.	1 lb.



Project Name _____ Fixture Type _____
 Catalog # _____