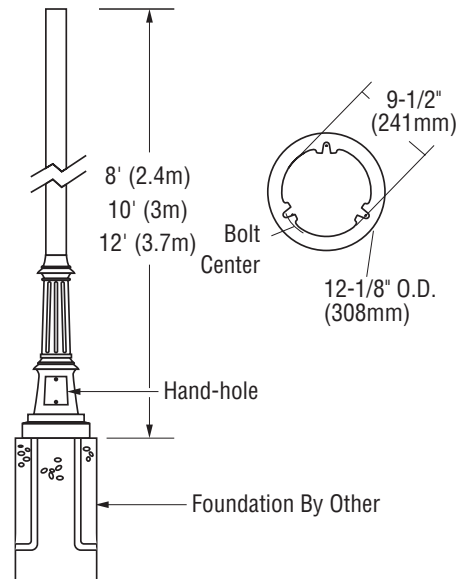


LSI ABOLITE NOSTALGIC POLES

Nostalgic Design

4" Aluminum Pole Specifications:

- Pole shaft is aluminum tubing welded to a cast aluminum base.
- End of pole is designed for use with Shepherd's Crook or other optional pole brackets. All brackets must slip fit over 4" O.D. pole.
- Standard finish is textured white baked-on powder coating. Other finishes are optional. Poles are furnished with anchor bolts with zinc plated double nut washers. Galvanized anchor bolts are standard. Anchor bolts conform to ASTM-A36 with a minimum yield strength of 36,000 PSI.
- Hand-hole is 9" above base.



4" ALUMINUM POLE RATING

Height	Pole Series	Description	EPA			
			70 MPH	80 MPH	90 MPH	100 MPH
8'	4NOS	ALUM	24.1	18.3	14.3	11.5
10'	4NOS	ALUM	16.8	12.6	9.7	7.7
12'	4NOS	ALUM	12.5	9.2	7	5.4

Nostalgic pole weights: 8': 31-1/2 lbs. 10': 38-1/4 lbs. 12': 41 lbs.

Bolt Circle

Bolt Circle	Slotted
Anchor Bolt Size	1/2" x 18"
Anchor Bolt Projection	3"
Base Plate Thickness	1/2"

Note: Base plate illustrations may change without notice. Do not use for setting anchor bolts. Consult factory for the base plate templates.

4NOS ALUM 8 S WHT	8' Pole-Aluminum with 4" Round Shaft and Nostalgic Cast Base*
4NOS ALUM 10 S WHT	10' Pole-Aluminum with 4" Round Shaft and Nostalgic Cast Base*
4NOS ALUM 12 S WHT	12' Pole-Aluminum with 4" Round Shaft and Nostalgic Cast Base*

*NOTE: Base plate cast into base

ARRA
Funding Compliant

Project Name _____ Fixture Type _____

Catalog # _____

02/05/14

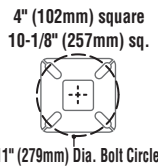
© 2014
LSI INDUSTRIES INC.

LSI ABOLITE POLES

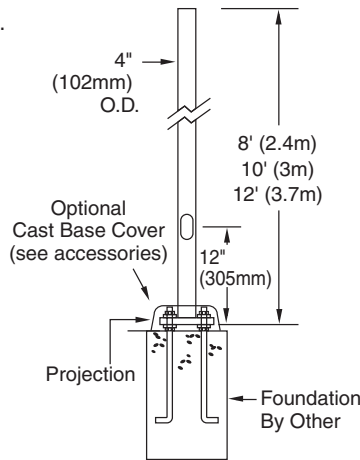
Straight Round Design

Steel Pole Specifications:

- Pole shaft is electro-welded ASTM-A500 Grade B 4" steel tubing with a minimum yield strength of 46,000 PSI.
- Base is ASTM-A36 hot-rolled steel plate with a minimum yield strength of 36,000 PSI.
- Standard finish is textured white baked-on powder coating. Other finishes are optional.
- Poles are available with anchor bolts with zinc plated double nuts and washers. Galvanized anchor bolts are optional. Anchor bolts conform with ASTM F1554-07a grade 55 with a minimum yield strength of 55,000 PSI. Anchor bolts must be ordered separately.
- Hand-hole is 12" above pole base.
- Will accept commercial postline ballast. CFL only. MH provided by others.
- Ground lug is standard.
- Cast aluminum base covers available.



NOTE: Consult factory for availability of DuraGrip® Plus (specify "DGP") for steel poles.



Steel Pole Rating

Height	Pole Series	Description	EPA			
			70 MPH	80 MPH	90 MPH	100 MPH
8'	4RPSF	S10G	24.1	18.3	14.1	11.2
10'	4RPSF	S10G	18.6	13.8	10.6	8.3
12'	4RPSF	S10G	14.7	10.8	8.1	6.2

Steel pole weights: 4" Dia. 10 Ga. is approximately 10 lbs. per ft.

Bolt Circle

Bolt Circle	Slotted 8"
Anchor Bolt Size	3/4" x 30"
Anchor Bolt Projection	3-1/4"
Base Plate Thickness	3/4"

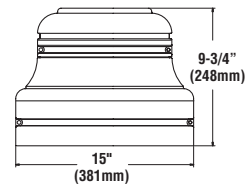
Note: Base plate illustrations may change without notice. Do not use for setting anchor bolts. Consult factory for the base plate templates.

4RPSF S10G 8' * WHT	8' Pole-Steel 4" Round (Specify Color)
4RPSF S10G 10' * WHT	10' Pole-Steel 4" Round (Specify Color)
4RPSF S10G 12' * WHT	12' Pole-Steel 4" Round (Specify Color)



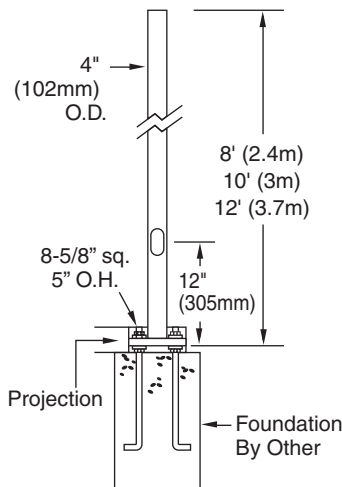
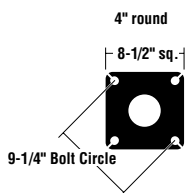
ACCESSORIES

GBC -
Cast Decorative
Base Cover



Aluminum Pole Specifications:

- Pole shaft is 6063-T6 grade 4" aluminum extrusion.
- Base is 356-T6 aluminum.
- Standard finish is Satin Anodized Aluminum. Gloss White, Black, and Red powder coated finishes are optional. Consult factory for lead times.
- Poles are furnished with galvanized anchor bolts, cast base cover, double nuts and washers.
- Hand-hole is 12" above pole base.
- Will accept commercial postline ballast. CFL only. MH provided by others.
- Ground lug is standard.
- Base cover is square fabricated aluminum.



ALUMINUM POLE RATING

Height	Pole Series	Description	EPA			
			70 MPH	80 MPH	90 MPH	100 MPH
8'	RLM	A125	12.8	8.42	6.75	5.42
10'	RLM	A125	9.8	6.33	4.92	3.92
12'	RLM	A125	7.6	4.75	3.58	2.75

Aluminum pole weights: 4" Dia. 10 Ga. is approximately 10 lbs. per ft.

Bolt Circle

Bolt Circle	Slotted 9-1/4"
Anchor Bolt Size	5/8" x 16"
Anchor Bolt Projection	2-3/4"
Base Plate Thickness	3/4"

Note: Base plate illustrations may change without notice. Do not use for setting anchor bolts. Consult factory for the base plate templates.

RLM 4RD A125 8 S SAA	8' Pole-Aluminum 4" Round with Square Base Cover-Satin Anodized Aluminum*
RLM 4RD A125 10 S SAA	10' Pole-Aluminum 4" Round with Square Base Cover-Satin Anodized Aluminum*
RLM 4RD A125 12 S SAA	12' Pole-Aluminum 4" Round with Square Base Cover-Satin Anodized Aluminum*

*Note: Also available with Gloss Black, White or Red powder finish-consult factory.

Project Name _____ Fixture Type _____

Catalog # _____

02/05/14

© 2014
LSI INDUSTRIES INC.