

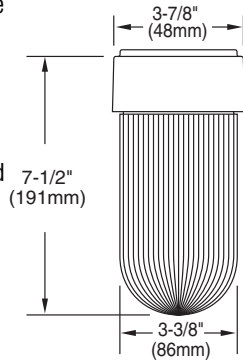
LSI ABOLITE GLOBES

PG3

- Full heat- and impact-resistant 3" diameter prismatic Glass Globe offers symmetrical light pattern. Globe screws into cast aluminum holder.
- 4-pin lamp holder supplied for 26, 32, and 42 Watt Compact Fluorescent lamps.
- 4KV medium base lamp holder supplied for use with Incandescent and HID lamps.
- Globe factory assembled to the RD, BD, RWD, AD200 or HMDM reflector of your choice.



wet location



Option	Description	Lamp Socket	Maximum Wattage Restrictions
PG3	3" Diameter (76mm) Ribbed Clear Glass Assembly	4 PIN Medium Medium	26/32/42 Compact Fluorescent 200 Incandescent 100 Metal Halide
PG3FG	3" Diameter (76mm) Ribbed Frosted Glass Assembly	Medium	175 ¹ Pulse-Start Metal Halide

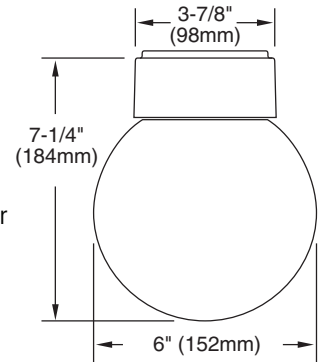
1- Requires the use of Medium Base Reduced Envelope Lamp.

G6

- Frosted 6" diameter (152mm) Glass Globe offers symmetrical light pattern. Globe screws into cast aluminum holder.
- 4-Pin lamp holder supplied for 26, 32, and 42 Watt Compact Fluorescent lamps.
- Medium base lamp holder supplied for use with Incandescent lamps.
- Globe factory assembled to the RD, BD, RWD, or HMDM reflector of your choice (also available on AD 200).



wet location

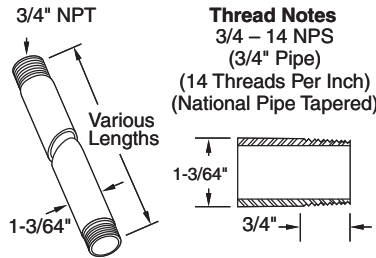


Option	Description	Lamp Socket	Maximum Wattage Restrictions
G6	6" Diameter (152mm) White Opal Glass	4 PIN Medium	26/32/42 Compact Fluorescent 75 Incandescent No Metal Halide

ACCESSORIES

ST TYPE STEMS:

- 3/4" NPT rigid aluminum conduit stem features gloss powder coat finish.
- White powder finish is standard; other optional colors available.



Thread Notes
3/4 - 14 NPS
(3/4" Pipe)
(14 Threads Per Inch)
(National Pipe Tapered)

STEM ORDERING DATA

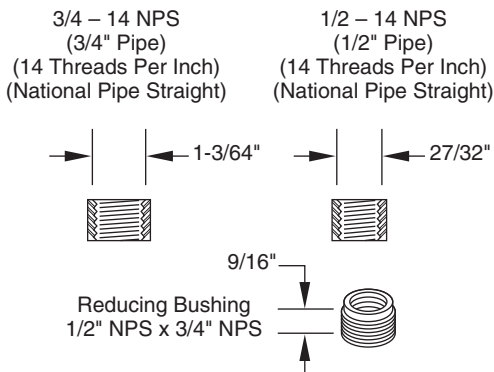
ST 6 3 GWT	3/4" x 6" Rigid Conduit Stem
ST 12 3 GWT	3/4" x 12" Rigid Conduit Stem
ST 18 3 GWT	3/4" x 18" Rigid Conduit Stem
ST 24 3 GWT	3/4" x 24" Rigid Conduit Stem
ST 36 3 GWT	3/4" x 36" Rigid Conduit Stem
ST 48 3 GWT	3/4" x 48" Rigid Conduit Stem
ST 60 3 GWT	3/4" x 60" Rigid Conduit Stem
ST 72 3 GWT	3/4" x 72" Rigid Conduit Stem
COP 3 GWT	3/4" Coupling for joining stem sections

All Rigid Conduit Stems Are Finished With Gloss White Powder

NOTE: Stems do not include canopies – Order Separately

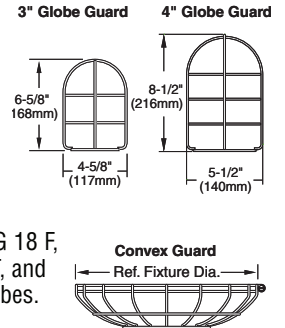
REDUCING BUSHING 3/4" TO 1/2":

- Fits RLM top casting to adapt fixture for 1/2" stems. Part # 133834



COG TYPE WIRE GUARDS:

- All have center opening for relamping (except COG3 and COG4).
- Metallic silver powder finish standard (except COG3 and COG4 are gloss white); other optional colors available.
- All wire guards are convex type except COG20F MSV, COG 14 F, COG 14 N, COG 18 F, and COG18 N which are flat, COG3 WHT, and COG4 WHT which fits PG3, and PG4 globes.



WIRE GUARD ORDERING DATA

COG 3 GWT	3" Globe Wire Guard Finished Gloss White Powder (For use with PG3 Globe Option)
COG 4 GWT	4" Globe Wire Guard Finished Gloss White Powder (For use with PG4 on Harbor Series)
COG 7 MSV	7" Convex Wire Guard (AD 100 guard)
COG 9 MSV	9" Convex Wire Guard (AD 150 guard)
COG 10 MSV	10" Convex Wire Guard (BD 200 guard)
COG 12 MSV	12" Convex Wire Guard (RD 100 guard)
COG 13 MSV	13" Convex Wire Guard (BD 300 guard)
COG 14 MSV	14" Convex Wire Guard (RD 150 guard)
COG 16 MSV	16" Convex Wire Guard (RD 200 guard)
COG 18 MSV	18" Convex Wire Guard (RD 300 guard)
COG 20 F MSV	20" Flat Wire Guard (HMDM/HMDMU)
COG 14 F	14" Flat Wire Guard (Open CHT/IHT guard)
COG 14 N	14" Flat Wire Guard (Enclosed CHT/IHT guard)
COG 18 F	18" Flat Wire Guard (Open CHT/IHT guard)
COG 18 N	18" Flat Wire Guard (Enclosed CHT/IHT guard)

Zinc Plated only

ARRA
Funding Compliant

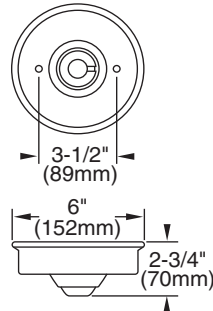


Project Name _____ Fixture Type _____
Catalog # _____

2/18/19
© 2019
LSI INDUSTRIES INC.

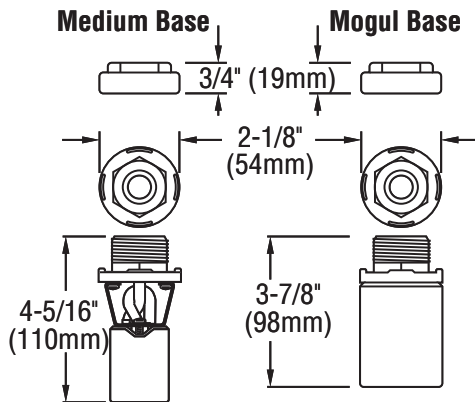
BC TYPE DECORATIVE CANOPY TYPE ALIGNER:

- Canopy type aligners consist of drawn steel canopy with cast ball joint assembly (for damp locations only).
- Allow 3/4" stem to hang plumb when surface mounted at any angle up to 37 degrees.
- White gloss finish is standard; other optional colors available.
- **BC600 3 GWT**



SOCKETS AND HOLDERS:

- Medium Base Replacement Sockets tapped for 3/4" conduit.
- Mogul Base Replacement Sockets tapped for 1/2" or 3/4" conduit (specify size required). Wiring not included.
- RS socket designs are replacements for RLMs.
- Sockets provided with cords do not include ceiling canopy.
- **RS7005 3/4 LDS96** - Medium Base 3/4" Socket with 96" leads
- **RS7005 CA120WHT** - Medium Base Socket with 120" white cord
- **RS7005 CA120BLK** - Medium Base Socket with 120" black cord
- **RS7006 1/2** - Mogul Base 1/2" Replacement Socket (no wiring supplied)
- **RS7006 3/4** - Mogul Base 3/4" Replacement Socket (no wiring supplied)
- **CA GWT** - White replacement canopy kit (for above cord set)
- **CA GBK** - Black replacement canopy kit (for above cord set)

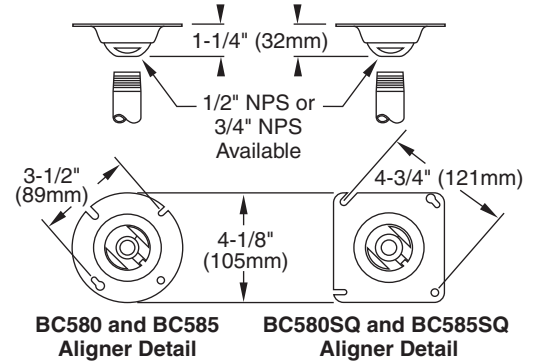


BC UTILITY TYPE BALL ALIGNERS:

- Allow fixtures to hang plumb when suspended at angle as great as 37 degrees.
- Heavy gauge steel with zinc finish.

Note: All aligners listed on this page are outlet box cover type and are secured by 8-32 outlet box screws. The N.E.C. states that "a fixture which weighs more than 50 pounds shall be supported independently of the outlet box."

- **BC580 ZINC** - 1/2" threaded entry to accept NPT fittings.
- **BC585 ZINC** - 3/4" threaded entry to accept NPT fittings.
- **BC580SQ ZINC** - 1/2" threaded entry to accept NPT fittings.
- **BC585SQ ZINC** - 3/4" threaded entry to accept NPT fittings.



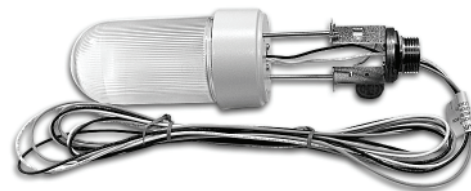
ENERGY CONVERSION KITS

- Reduce energy requirements by switching from less efficient Incandescent RLM's to Compact Fluorescent or Metal Halide
- PG3 Globes offer weather protection in Outdoor locations
- Prismatic globe reduces unprotected lamp glare.

Note: CFL or MH kits require use of remote ballast – order separately. Kits do not include die cast nuts; reuse from the fixture being retrofitted.

UPGCK – Conversion Kit retrofits standard Incandescent / MP open socket RLM to PG3 Globe fixture except HMDMU, AD100 and AD150.

UPGCK CFL – Conversion Kit retrofits open medium base socket RLM to CFL PG3 Globe fixture except HMDMU, AD100 and AD150.



ARRA
Funding Compliant

