

Catalog # :

Project :

Prepared By :

Date :



TSWP Series Small LED Wall Light

LSI LED wall lights utilize glare free LED placement and reflector technology. These fixtures produce a smoother and whiter light resulting in more footcandles on the ground, making it the best choice when replacing traditional HID wall packs.

Features & Specifications

Optical System

- Lens assembly is designed to provide high efficiency and to target the light where needed to satisfy outdoor lighting requirements.
- Positioning of the LEDs result in the light being directed to desired locations eliminating glare and offensive light.
- Minimum CRI of 80

Electrical

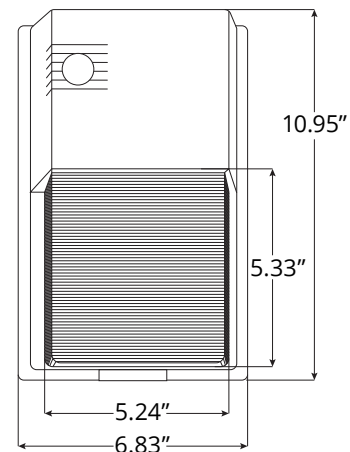
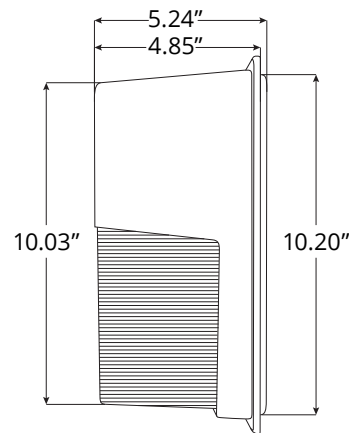
- High-performance driver features over-voltage, under voltage, short-circuit and over temperature protection.
- 0-10 volt dimming (10% - 100%) standard.
- Standard Universal Voltage (120-277 Vac) Input 50/60 Hz
- L70 Calculated Life: >100k Hours
- Total harmonic distortion: <20%
- Power factor: >.85
- Input power stays constant over life.
- Driver Off-State Power is 0 watts.
- Components are fully encased in potting material for moisture resistance. Driver complies with FCC standards. Driver and key electronic components can easily be accessed.
- Minimum 2.5kV surge rating

Construction

- Traditional polycarbonate housing provides proven environmental protection for LED modules.
- Traditional fixture designs provide a familiar look and standard installation requirements.
- Retaining this look allows the ability to upgrade fixtures gradually, while retaining the same overall fixture appearance throughout a facility.
- Patent pending thermal stacking technology system features a unique internal design that allows for lower operating temperatures which results in a brighter, whiter light, more stable color and longer LED and driver life.
- LSI LEDs provide higher lumen output, greater energy efficiency and more reliable fixture performance.
- LEDs manufactured for the TSWP series utilize Epoxy Guard conformal coating which reduces the chance of board corrosion.
- Weight: 6.6 lbs in carton



Dimensions





TSWP Series Small LED Wall Light

Features & Specifications (Cont.)

Controls

- Optional electronic button Photocontrol.
- Apertures for field or factory installed photocontrol.

Installation

- Fixture retains the same knock-out sizes and positions as previous models, reducing wiring costs.

Warranty

- LSI LED Fixtures carry a 5-year warranty.
- 1 Year warranty on optional Button Photocell.

Listings

- Listed to UL 1598 and UL 8750.
- CSA Listed
- RoHS Compliant.
- American Recovery and Reinvestment Act Funding Compliant.
- Suitable For Wet Locations.
- 4000K and 5000K color temperatures are DesignLights Consortium qualified luminaires, eligible for rebates from DLC member utilities.

Finishes

- Bronze is standard. Consult factory for pricing and lead time for other options.

Performance

Lumens	4000K		5000K		Wattage
	Delivered Lumens	Efficacy	Delivered Lumens	Efficacy	
2L	2283	111.82	2285	111.61	20.42

Energy Savings

LED		HID			
Wattage	Annual Cost	Source Wattage	Total Wattage Used	Annual Cost	Annual Savings
20	\$9	50	72	\$52	\$43
		70	90	\$59	\$50
		100	129	\$77	\$68

DLC Listings

Lumens	3000K	4000K	5000K
	DLC Prod. ID	DLC Prod. ID	DLC Prod. ID
2L	N/A	PJ01HBJD	PPTLJW4J

4000K and 5000K color temperatures are DesignLights Consortium qualified luminaires, eligible for rebates from DLC member utilities.

Luminaire Ordering Guide

TYPICAL ORDER EXAMPLE: **TSWP LED 2L UNV DIM 40 BZA**

Family Prefix	Lumen Package	Voltage	Dimming	Color Temp	Color Rendering	Finishes	Controls
TSWP LED - Small LED Wall Light	2L = 2,000 Lumens	UNV = Universal (120V-277V)	DIM = Dim to 10% (0 to 10V)	40 = 4000K 50 = 5000K	Blank = 80 Color Rendering Index	BZA = Bronze	PC120 - 120V Button Photocontrol PC208-277 - 208-277V Photocontrol