

Catalog # :

Project :

Prepared By :

Date :



TMFL Series Medium LED Flood Light



LSI Extra Wide Flood Lights provide an extra wide distribution (NEMA 7x7) that is recommended for accent lighting on short set backs for sign and wall wash applications. They produce a smooth, even and uniform light pattern.

Features & Specifications

Optical System

- LSI flood lights extra wide distribution pattern is designed to provide maximum light spread for short set backs when lighting signs and washing walls.
- Minimum CRI of 80

Electrical

- High-performance driver features over-voltage, under voltage, short-circuit and over temperature protection.
- 0-10 volt dimming (10% - 100%) standard.
- Standard Universal Voltage (120-277 Vac) Input 50/60 Hz
- L70 Calculated Life: >100k Hours
- Total harmonic distortion: <20%
- Power factor: >.85
- Input power stays constant over life.
- Driver Off-State Power is 0 watts.
- Components are fully encased in potting material for moisture resistance. Driver complies with FCC standards. Driver and key electronic components can easily be accessed.
- Minimum 2.5kV surge rating

Construction

- Rigid Precision Die cast-aluminum housing for durability and consistency.
- Vertical fins serve as a heat sink and resist accumulation of dust and debris.
- The Patent Pending thermal stacking heat removal technology extracts heat from within the housing moving it away from LEDs and integral components.
- Luminaire is proudly manufactured and tested in the U.S.
- Fixtures are finished with LSI's DuraGrip® polyester powder coat finishing process. The DuraGrip finish withstands extreme weather changes without cracking or peeling. Other standard LSI finishes available. Consult factory
- Shipping weight: 10.0 lbs in carton



Dimmable



UL LISTED



QUICK SHIP



ROHS COMPLIANT



ARRA Funding Compliant



DLC PREMIUM

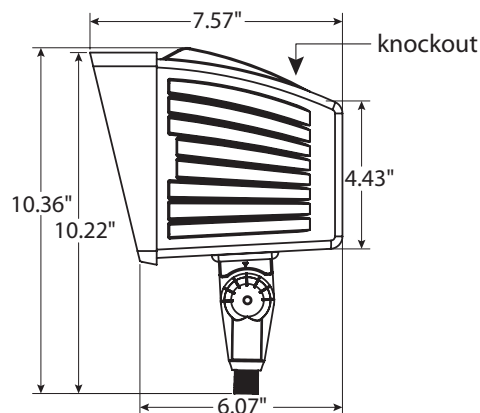
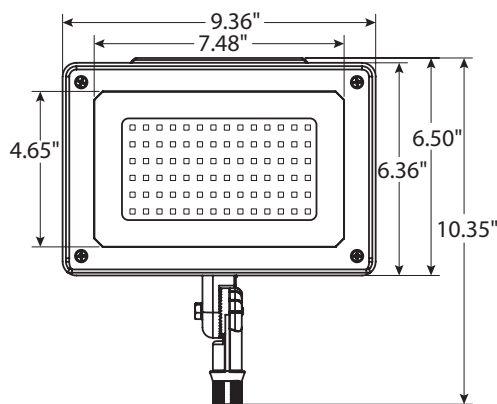
Dimensions Design is Protected by US Patent D710,530

Weight

10 lbs.

EPA

0.47





TMFL Series Medium LED Flood Light

Features & Specifications (Cont.)

Controls

- Optional electronic button Photocontrol.
- Apertures for field or factory installed photocontrol.

Warranty

- LSI LED Fixtures carry a 5-year warranty.
- 1 Year warranty on optional Button Photocontrol.

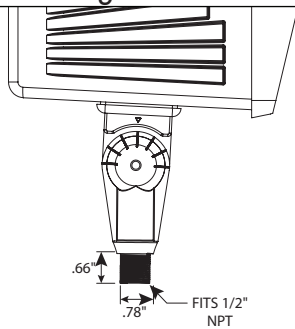
Listings

- Listed to UL 1598 and UL 8750.
- CSA Listed
- RoHS Compliant.
- American Recovery and Reinvestment Act Funding Compliant.
- Suitable For Wet Locations
- DesignLights Consortium Premium qualified luminaire, eligible for rebates from DLC member utilities.

Finishes

- Bronze is standard. Consult factory for pricing and lead time for other options.

Mounting Detail



Knuckle (standard)

Mounting Accessory

PT - Post Top Fitter (item # 660385)



Luminaire Ordering Guide

TYPICAL ORDER EXAMPLE: **TMFL LED 5L W UNV DIM 40 BZA**

| Family Prefix | Lumen Package | Distribution | Voltage | Dimming | Color Temp | Color Rendering | Finishes | Options/Controls |
|-----------------------------------|-------------------|--|-----------------------------|-----------------------------|--|----------------------------------|--|---|
| TMFL LED - Medium LED Flood Light | 5L = 5,000 Lumens | W = Extra Wide Distribution (NEMA 7x7) | UNV = Universal (120V-277V) | DIM = Dim to 10% (0 to 10V) | 30 = 3000K 40 = 4000K 50 = 5000K | Blank = 80 Color Rendering Index | BZA = Bronze WHT = White BLK = Black | PC120 - 120V Button Photocontrol PC208-277 - 208-277V Photocontrol |

Performance

| Lumens | 3000K | | 4000K | | 5000K | | Wattage |
|--------|------------------|----------|------------------|----------|------------------|----------|---------|
| | Delivered Lumens | Efficacy | Delivered Lumens | Efficacy | Delivered Lumens | Efficacy | |
| 5L | 5025 | 116.35 | 5025 | 116.35 | 5229 | 121.06 | 43.19 |

Energy Savings

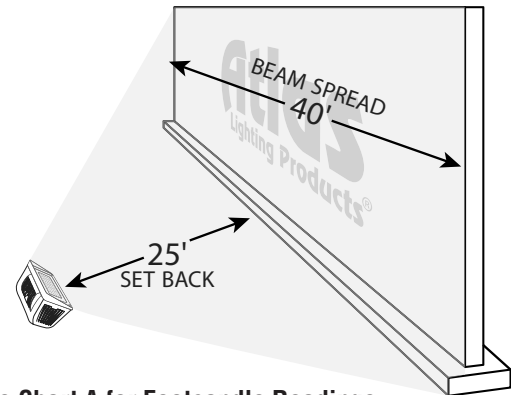
| LED | | HID | | | |
|---------|-------------|----------------|--------------------|-------------|----------------|
| Wattage | Annual Cost | Source Wattage | Total Wattage Used | Annual Cost | Annual Savings |
| 43 | \$19 | 100 | 129 | \$77 | \$58 |
| | | 150 | 185 | \$100 | \$81 |
| | | 175 | 210 | \$112 | \$93 |

DLC Listings

| Lumens | 3000K | 4000K | 5000K |
|--------|--------------|--------------|--------------|
| | DLC Prod. ID | DLC Prod. ID | DLC Prod. ID |
| 5L | PLPZDKQIUZ98 | PLQ3L55N3XEV | PLKIEZREWRAP |

DesignLights Consortium Premium qualified luminaires, eligible for rebates from DLC member utilities.

Photometrics



See Chart A for Footcandle Readings

| FOOTCANDLE READINGS (CHART A) | | | | |
|-------------------------------|-----|-----|-----|-----|
| 0' | 5' | 10' | 15' | 20' |
| 3.9 | 3.6 | 3.0 | 2.2 | 1.6 |