

Catalog # :

Project :

Prepared By :

Date :



TLFL Series Large LED Flood Light

LSI Extra Wide Flood Lights provide an extra wide distribution (NEMA 7x7) that is recommended for accent lighting on short set backs for sign and wall wash applications. They produce a smooth, even and uniform light pattern.

Features & Specifications

Optical System

- LSI flood lights extra wide distribution pattern is designed to provide maximum light spread for short set backs when lighting signs and washing walls.
- Minimum CRI of 80

Electrical

- High-performance driver features over-voltage, under voltage, short-circuit and over temperature protection.
- 0-10 volt dimming (10% - 100%) standard.
- Standard Universal Voltage (120-277 Vac) Input 50/60 Hz
- L70 Calculated Life: >100k Hours
- Total harmonic distortion: <20%
- Power factor: >.85
- Input power stays constant over life.
- Driver Off-State Power is 0 watts.
- Components are fully encased in potting material for moisture resistance. Driver complies with FCC standards. Driver and key electronic components can easily be accessed.
- Minimum 2.5kV surge rating

Construction

- Rigid Precision Die cast-aluminum housing for durability and consistency.
- Vertical fins serve as a heat sink and resist accumulation of dust and debris.
- The Patent Pending thermal stacking heat removal technology extracts heat from within the housing moving it away from LEDs and integral components.
- Luminaire is proudly manufactured and tested in the U.S.
- Fixtures are finished with LSI's DuraGrip® polyester powder coat finishing process. The DuraGrip finish withstands extreme weather changes without cracking or peeling. Other standard LSI finishes available. Consult factory
- Shipping weight: with Trunnion (standard) 20 lbs / with Slipfitter 21 lbs

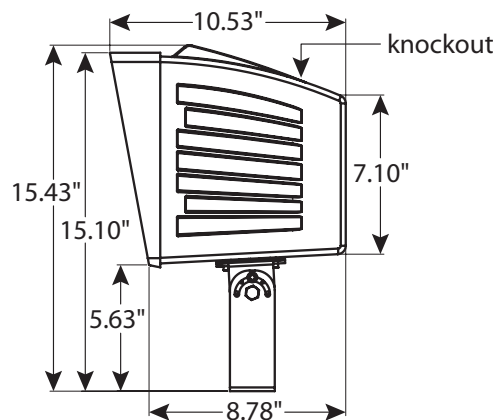
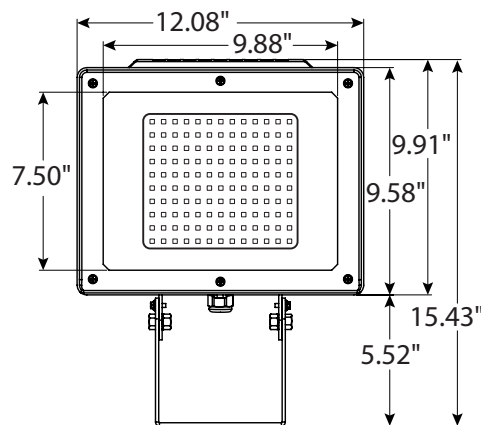


Dimensions Design is Protected by US Patent D740,997

Weight

- 20 lbs. (with Trunnion)
- 21 lbs. (with Slipfitter)

EPA
1.00





TLFL Series Large LED Flood Light

Features & Specifications (Cont.)

Controls

- Optional electronic button Photocontrol.
- Apertures for field or factory installed photocontrol.

Warranty

- LSI LED Fixtures carry a 5-year warranty.
- 1 Year warranty on optional Button Photocontrol.

Listings

- Listed to UL 1598 and UL 8750.
- CSA Listed
- RoHS Compliant.
- American Recovery and Reinvestment Act Funding Compliant.
- Suitable For Wet Locations
- DesignLights Consortium Premium qualified luminaire, eligible for rebates from DLC member utilities.

Finishes

- Bronze is standard. Consult factory for pricing and lead time for other options.

Performance

Lumens	3000K		4000K		5000K		Wattage
	Delivered Lumens	Efficacy	Delivered Lumens	Efficacy	Delivered Lumens	Efficacy	
11L	10730	120.66	10730	120.66	11140	125.68	88.93

Energy Savings

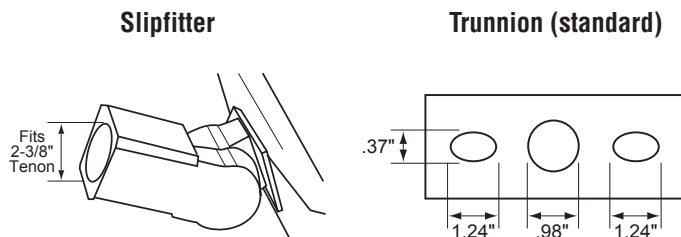
LED		HID			
Wattage	Annual Cost	Source Wattage	Total Wattage Used	Annual Cost	Annual Savings
86	\$38	200	232	\$128	\$90
		250	285	\$150	\$112
		400	458	\$226	\$188

DLC Listings

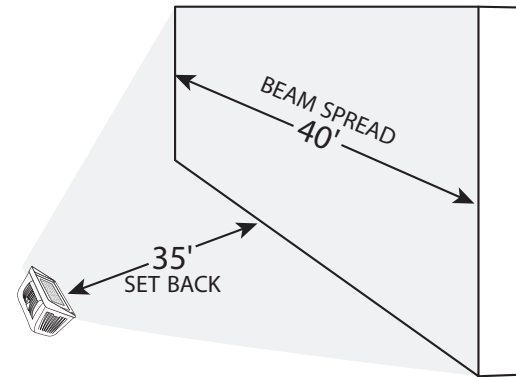
Lumens	3000K	4000K	5000K
	DLC Prod. ID	DLC Prod. ID	DLC Prod. ID
11L	PLL3A7TYE7CN	PLF8AK7F7O5V	PLQEFEL3DZ83

DesignLights Consortium Premium qualified luminaires, eligible for rebates from DLC member utilities.

Mounting Detail



Photometrics



See Chart A for Footcandle Readings

FOOTCANDLE READINGS (CHART A)				
0'	5'	10'	20'	30'
4.4	4.2	3.8	2.5	1.5

Luminaire Ordering Guide

TYPICAL ORDER EXAMPLE: **TLFL LED 11L W UNV DIM 40 BZA TR**

Family Prefix	Lumen Package	Distribution	Voltage	Dimming	Color Temp	Color Rendering	Finishes	Mounting	Options/Controls
TLFL LED - Large LED Flood Light	11L = 11,000 Lumens	W = Extra Wide Distribution (NEMA 7x7)	UNV = Universal (120V-277V) HV = 347-480V Universal Voltage	DIM = Dim to 10% (0 to 10V)	30 = 3000K 40 = 4000K 50 = 5000K	Blank = 80 Color Rendering Index	BZA = Bronze WHT = White BLK = Black	TR = Trunnion Mount SF = Slipfitter Mount	PC120 - 120V Button Photocontrol PC208-277 - 208-277V Photocontrol