

Catalog # :

Project :

Prepared By :

Date :



LSI PROTECTOR™ COMMERCIAL LED BOLLARD (CBR7)

The CBR7 LED Commercial Bollard is an excellent choice for retrofit, as well as new construction applications. It is designed with a standard selection of distributions & color temperatures to meet most commercial requirements. It is ideal for retail, parks, schools, office buildings and more general lighting applications.

Features & Specifications

Optical System

- Available in two optical distributions, symmetrical and asymmetrical.
- Optically clear vandal-resistant extruded polycarbonate lens seals the luminaire's optical chamber to IP65.
- Available in 5000K, 4000K, and 3,000K color temperatures per ANSI C78.377. Consult Factory for other color temperature requirements.
- Optional internal louvers available to conceal the light source.
- Minimum CRI of 70. Consult Factory for Higher CRI requirements.

Electrical

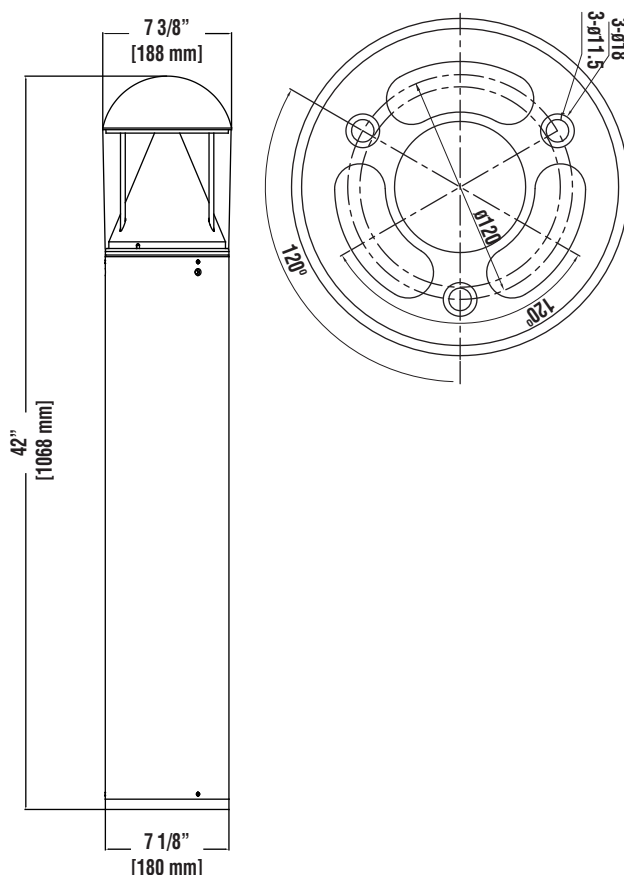
- High-performance driver features over-voltage, under voltage, short-circuit and over temperature protection.
- 0-10 volt dimming (10% - 100%) standard.
- Standard Universal Voltage (120-277 Vac) Input 50/60 Hz. Optional High Voltage 347 Vac Input available.
- L70 Calculated Life: > 147k Hours projected @ 25°C per IESNA TM-21-11.
- Total harmonic distortion: <20%
- Operating temperature: -40°C to +40°C (-40°F to +104°F)
- Power factor: >.90
- Input power stays constant over life.
- High-efficacy LEDs with integrated circuit board mount to the housing to maximize heat dissipation and promote long life.
- Driver components are fully encased in potting material for moisture resistance. Driver complies with FCC standards. Driver and key electronic components can easily be accessed.
- Electrical components are mounted on a removable power tray.
- Field replaceable surge protection device meets a minimum Category C Low operation (per ANSI/IEEE C62.41.2).
- Optional 120v-277v integral emergency battery pack is available to meet critical life safety lighting requirements. The 90-minute batteries provide constant power to the LED system, ensuring code compliance. A test switch/indicator button is installed on the housing for ease of maintenance.



IP65



Product Dimensions



CBR7 Commercial LED BOLLARD

Features & Specifications (Cont.)

Construction

- Precision cast aluminum dome head for maximum durability and consistency.
- 7" one-piece extruded aluminum seamless shaft. Various heights are available in 6" increments starting at a minimum of 30" (maximum height is 60").
- Fixtures are finished with LSI's DuraGrip® polyester powder coat finishing process. The DuraGrip finish withstands extreme weather changes without cracking or peeling. Other standard LSI finishes available. Consult factory.
- Shipping weight: 30 lbs in carton.

Installation

Base plate installs with three heavy-duty 3/8" x 8" galvanized steel anchor bolts.

Warranty

- LSI LED Fixtures carry a 5-year warranty.
- 1 Year warranty on optional Battery Back Up. Test regularly in accordance with local codes.

Listings

- Listed to UL 1598 and UL 8750.
- RoHS Compliant.

ELECTRICAL DATA*						
Lumens	Distribution	120V	208	240V	277V	347V
10L	LV	0.15	0.08	0.07	0.06	0.05
	A	0.18	0.11	0.09	0.08	0.07
	S	0.15	0.08	0.07	0.06	0.05

*Electrical data at 25C (77F). Actual wattage may differ by +/-10%.

PERFORMANCE								
Lumens	Distribution	3000K		4000K		5000K		Wattage
		Delivered Lumens	Efficacy	Delivered Lumens	Efficacy	Delivered Lumens	Efficacy	
10L	LV	450	26	489	29	507	30	17
	A	1,095	50	1,190	55	1,232	57	22
	S	1,179	69	1,281	75	1,310	77	17

*LED Chips are frequently updated therefore values are nominal.

TYPICAL ORDER EXAMPLE: **CBR7 LED 10L PC S UNV 40 BB BRZ**

Prefix	Source	Lumen Package	Lens	Distribution	Voltage	Driver	EM	Color Temp	CRI	Finish	Options
CBR7 (Commercial Bollard Round 7")	LED	10L - 1,000 lm	PC - Polycarbonate	LV - Symmetric (louvers) ³ A - Assymmetric (cone) ³ S - Symmetric (cone) ³	UNV - Universal voltage (120-277V) HV - High Voltage ⁴ (347-480V)	(Blank) - 0-10V Dimming (10-100%)	(Blank) - Standard BB - Battery Backup ⁴	30 - 3000k ¹ 40 - 4000k 50 - 5000k	(Blank) - 80 CRI	BRZ - Bronze BLK - Black	HSS - House Side Shield LAB - Less Anchor Bolts

Accessories

Adaptor Baseplate CBR7 BRZ ⁵
Adaptor Baseplate CBR7 BLK ⁵
RPL Driver CBR7 UNV
RPL Driver CBR7 HV
RPL Baseplate CBR7 BRZ
RPL Baseplate CBR7 BLK
RPL PC Lens CBR7
Anchor Bolt Kit 3/8" x 8" CBR7

FOOTNOTES:

- 1 - Consult Factory for Lead Time
- 2 - Surge Protection is Standard on all fixtures.
- 3 - Refer to Luminaire Output chart for actual lumen values.
- 4 - Battery Backup not available with HV selection.
- 5 - Adaptor Baseplate is required for use with some existing Anchor Bolts. Consult Factory for specific compatibility.

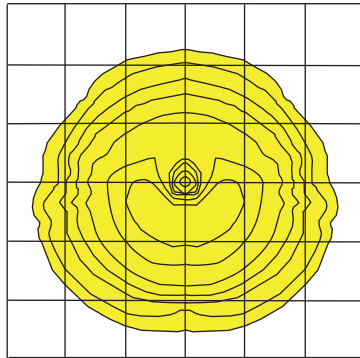


CBR7

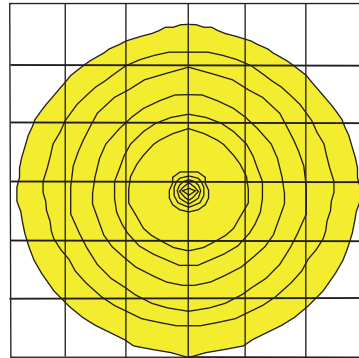
Commercial LED BOLLARD

Photometry

All published luminaire photometric testing performed to IESNA LM-79 standards by NVLAP, certified laboratory. ISO footcandle plots below demonstrate the CBR7 light patterns only. Not for total fixture output. For complete specifications and IES files, see website.



Asymmetric



Symmetric

