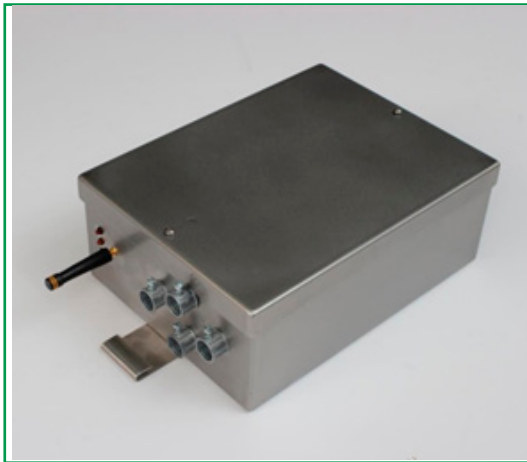
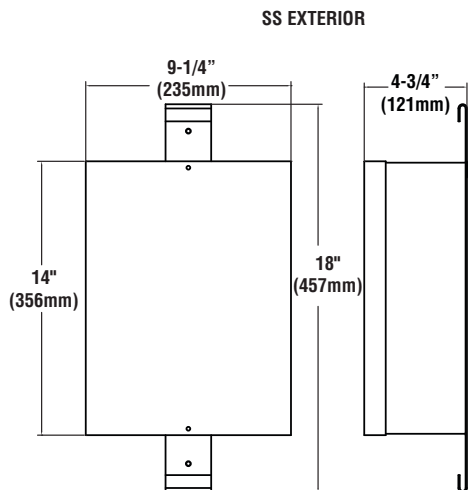
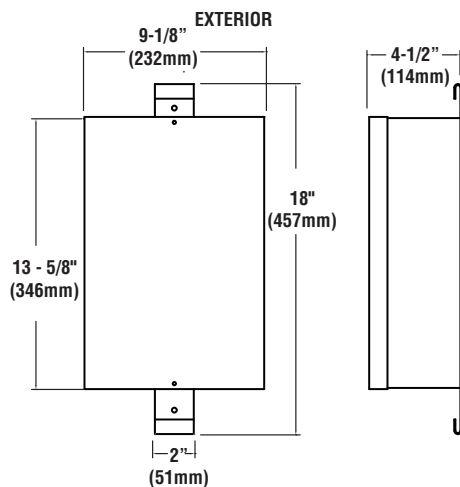


PLATINUM ZONE CONTROLLER (PZC)



DIMENSIONS



PRODUCT DESCRIPTION

LSI Controls' Platinum Zone Controller (PZC) is one of the components of a Platinum Outdoor Wireless Lighting Control System. Each PZC provides the capability to control up to two loads and dim the loads with its 0-10Vdc output. The PZC can be ordered with a single or dual load controller.

The Platinum Wireless Lighting Control System is comprised of one Platinum Site Manager (PSM), one Platinum Override Switch (POV), Platinum Control Modules (PCM) for each lighting fixture, optional Platinum Motion Sensor Overrides (PMO), optional Platinum Photo Sensors (PPH), optional Platinum Zone Controller (PZC) and optional Platinum Circuit Controllers (PCC).

The Platinum Outdoor Wireless Lighting Control System communicates using a 915 MHz mesh radio network employing the standard 802.15.4 protocol. Each unit functions as a repeater extending the wireless mess network. Typical range between wireless devices: 300 feet (approx. 100m) outdoors with line-of-sight.

HOUSING – Die-formed steel housing contains factory prewired controller and motion sensor. A terminal block is provided for easy field wiring. The EXT and SS are rated for wet locations.

FINISH - Enclosures have a powder coat finish with "Anthro Silver" color. Stainless Steel enclosures are made with 304 Grade with a natural finish.

MOUNTING - Mounting bracket is factory installed and can be used with cable straps or mounting holes.

ELECTRICAL - PZC UE (100-277VAC), Amps per load: 5A, 50/60 Hz

PZC HV (100-480VAC), Amps per load: 3A, 50/60 Hz

OPERATING TEMPERATURE - SS/EXT -40°C to +70°C (-40°F to +160°F). 10-95% non-condensing, 7000' altitude or less.

WARRANTY - LSI Controls components carry a limited 5-year warranty

SHIPPING WEIGHT (IN CARTON) Internal and External Enclosure 12 lbs. / 5.4 kg, Stainless Steel Enclosure 14 lbs. / 6.3 kg

CERTIFICATIONS – Listed to US and Canadian safety standards. RoHS Compliant.

This product, or selected versions of this product, meet the standards listed below. Please consult factory for your specific requirements.



ORDERING INFORMATION

TYPICAL ORDER EXAMPLE: **PZC UE EXT SG**

CAT NO.	INPUT VOLTAGE	ENCLOSURE	LOAD
PZC - Platinum Zone Controller	UE – Universal Electronic Voltage (120 – 277)	EXT – Exterior SS – Stainless Steel	SG - Single DU - Dual
	HV (347-480)		



Project Name _____ Catalog # _____

Visit our website at: www.lsi-industries.com

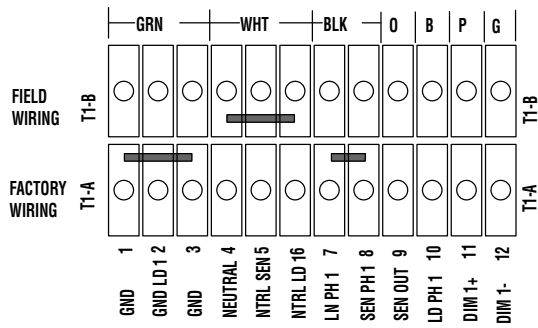
08/05/15

© 2015
LSI INDUSTRIES INC.

PLATINUM ZONE CONTROLLER (PZC)

WIRING DIAGRAM

GZC UE



GZC HV

