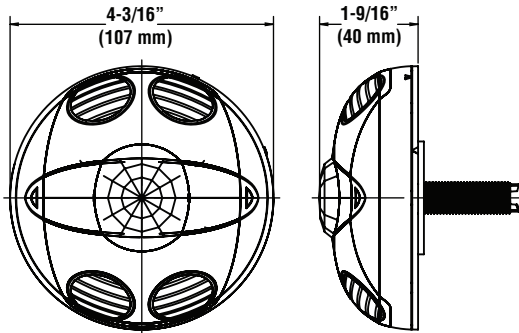


MULTI-TECHNOLOGY CEILING OCCUPANCY SENSOR (OSXXCM-WH)



DIMENSIONS



BASIC OPERATION - Occupancy sensors have two tasks: 1) Keeping the lights ON while the room is occupied, and 2) Saving energy by keeping the lights OFF while the room is unoccupied.

Passive Infrared (PIR) is an excellent and precise technology for initially turning the lights ON, but lacks sensitivity for minor motion at distances. Ultrasonic (U/S) technology provides maximum sensitivity with continuous reflective high frequency waves. This is optimal for keeping the lights ON. The multi-technology sensor combines the benefits of both PIR and U/S technologies for unrivaled performance and reliability.

APPLICATIONS

- Cafeterias
- Classrooms
- Computer rooms
- Conference rooms
- Day care centers
- Filing rooms
- Workspaces
- Open warehouses
- Offices with cubicles
- Open areas
- Restrooms
- Stairwells
- Storage rooms
- Executive, open, and private offices

FEATURES

- **Self-Adjusting:** Internal microprocessor continually analyzes, evaluates and adjusts the sensitivity and time delay. Performance is kept at a maximum and user complaints are eliminated.
- **Custom off-white color** matched for shaded ceilings.
- **Fast, Simple Installation:** Easy ceiling mount, three wire connection (low voltage) and twist-lock sensor attachment for 360° rotation and flexibility.
- **Maximum Reliability, Low Cost:** digital circuitry uses a minimum of components.
- **Small Motion Sensitivity:** The ultrasonic technology provides excellent small motion sensitivity.
- **Timer Setting Feature:** Automatic – 30sec – 30min. Test mode – 6sec with auto exit programming.
- **Non-Volatile Memory:** Learned and adjusted settings saved in protected memory are not lost during power outages.
- **Walk-Through:** Provides increased energy savings by decreasing the time delay to 2.5min when someone momentarily walks through the monitored space.
- **Wide Coverage:** Units from 500 to 2000 sq. ft. available.
- **Power base (OSPBI5A)** available for line voltage applications
- **Ambient Light Recognition:** A Light Sensor prevents lights from turning on when the room is adequately lit by natural light.
- **Ultrasonic (U/S) Components:** One or two U/S transducers and one or two narrow bandwidth receivers each 16mm in diameter. Frequency -- Crystal controlled to ±.005%.
- **Device:** Rugged, high-impact, injection molded plastic, off -white. Color coded leads 6" (16.24 cm).

HOW THE OS AUTOMATICALLY ADAPTS

Condition	Example	Self-Adaptive Reaction
Timer Left In Test Mode - The sensor remains in a 6 sec. test mode.	An installer accidentally leaves the sensor in the 6 sec. timer test mode and the lights may go off or on every 6 sec.	The sensor automatically resets the timer to 10 min. after 15 min of test mode.
False-On - The sensor incorrectly turns the lights on.	The sensor detects movement in the corridor or hallway and the room lights turn on.	After an initial movement is sensed, if another movement is not sensed within the timer setting then the delayed off timing is automatically reduced.
False-Off - The sensor incorrectly turns the lights off.	The sensor does not detect movement because an occupant sits virtually motionless at a desk and the lights turn off.	If motion is sensed within a short period after the lights go off, then the current delayed off-time setting is increased.



Project Name _____ Catalog # _____

1-800-436-7800 (Support, Option 8) www.lsi-industries.com

© 2016
LSI INDUSTRIES INC.

MULTI-TECHNOLOGY CEILING OCCUPANCY SENSOR (OSXXCM-WH)

PRODUCT DATA

DIP SWITCH SETTINGS			
SWITCH	BANK A	SWITCH FUNCTIONS	SWITCH SETTINGS
A1	N/A	Multi-Tech	Single Tech
A2	N/A	PIR	Ultrasonic
A3	Manual Mode	Auto Adapting Enabled	Auto Adapting Disabled
A4	Walk-Thru Disable	Walk-Thru Enabled	Walk-Thru Disabled
BANK B			
B1	Override to On	Auto Mode	Lights forced On
B2	Override to Off	Auto Mode	Lights forced Off
B3	Test Mode	OFF'ON'OFF	Enter/Exit Test Mode
B4	LED Disable	LEDs Enabled	LEDs Disabled

*Bold items are factory defaults

SPECIFICATIONS

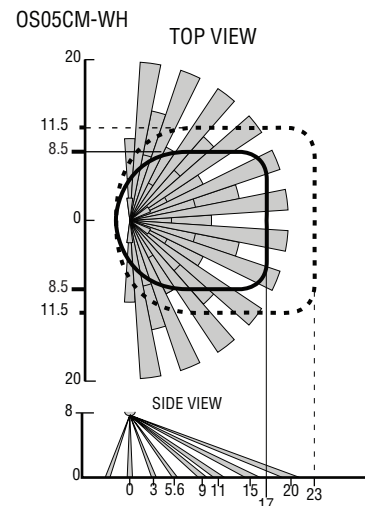
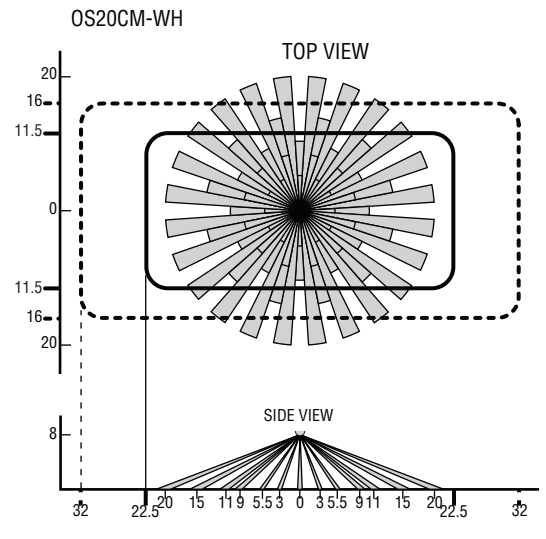
ELECTRICAL	
Power Requirements	24 VDC from OSPPxx Power Pack or OSP15A Power Base
Power Consumption	OS05CM: 25mA, OS20CM: 30mA
Output	24 VDC active high logic control signal with short circuit protection
CONTROLS	
Ultrasonic (U/S) Sensitivity	0 to 100%: green knob (factory setting: 50%)
Infrared Sensitivity	0 to 100%: red knob (factory setting: 75%)
Light Sensor	Blue knob 20 to 3,000 Lux. Factory set at 100% (*Grey wire required)
Time Delay	30sec-30min; black knob (Factory setting: 10min)
INDICATORS	
Red LED	Infrared motion technology
Green LED	(U/S) motion technology
ENVIRONMENTAL	
Operating Temperature Range	32°F to 104°F (0°C to 40°C)
Relative Humidity	0% to 95% non-condensing, for indoor use only
OTHER	
Mouting Height	8-12 feet
Listings	CUL/US Certified, meets ASHRAE Standard 90.1 and CEC Title 24 requirements
Warranty	Limited Five-Year Warranty

ORDERING INFORMATION

PART NO.	CAT NO.	DESCRIPTION
596050	OS05CM-WH	Ceiling mount Multi-Technology Occupancy Sensor, 180°/500 sq. ft. / 24V DC
596052	OS20CM-WH	Ceiling mount Multi-Technology Occupancy Sensor, 360°/2000 sq. ft. / 24V DC

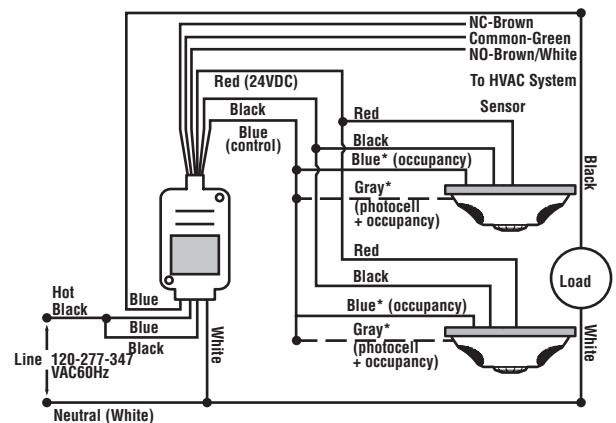
FIELD OF VIEW

Major Motion, IR



PHYSICAL WIRING

OSPPxx Series Power Pack



Project Name _____ Catalog # _____

1-800-436-7800 (Support, Option 8) www.lsi-industries.com

© 2016 LSI INDUSTRIES INC.