

# POWER BASE ADAPTOR (OSPB15A-WH)



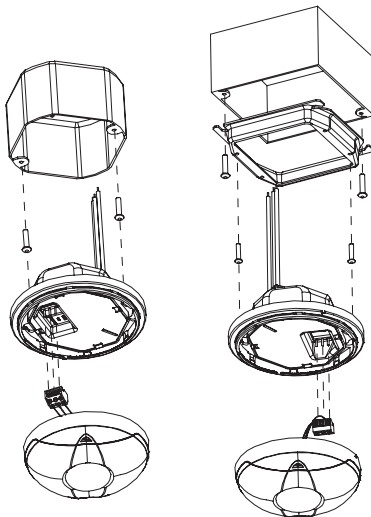
**BASIC OPERATION** - The OSPB15A is a self-contained transformer and relay adaptor with a patent-pending technology that converts any low-voltage ceiling or wall sensor to line voltage. It conveniently mounts to a standard 2.125" deep x 4" octagon, 2.125" deep x 4" square electrical box with mud ring, or to 4" surface mount wire raceway boxes, provided with wire leads for simple connection to a line-voltage circuit and a two-part terminal block for fast, easy low-voltage connections to the sensor. The Power Base Adaptor is ideal for both existing buildings with limited access to wiring and new construction with line-voltage circuiting only.

The OSPB15A offers the same performance features as the OSP Power Pack Series. The Power Base Adaptor is a "problem solver" that increases the versatility of LSI's low-voltage ceiling occupancy sensors.

## APPLICATIONS

- Lavatories
- Remodels in hard ceiling spaces
- Surface mount boxes
- Energy conservation retrofits
- Any installation with limited access for low-voltage wiring installation

## INSTALLATION AND WIRING



## FEATURES

- Ability to convert LSI's low-voltage ceiling sensors to line-voltage offers greater versatility in any application
- Streamlined installation offers customers an immediate energy-management solution
- Mounts easily in electrical box and provides leads for simple line voltage connection
- Two-piece terminal block provides fast, easy low-voltage connections to the sensor
- Zero-crossing circuitry for enhanced reliability and long-life operation
- Patented

## SPECIFICATIONS

### ELECTRICAL

|                               |  |
|-------------------------------|--|
| Input Voltage                 | 120-277 VAC @ 50/60Hz  |
| Output Voltage                | 24 VDC, 40mA nominal, full-wave rectified and filtered, unregulated. (Each sensor contains an internal voltage regulator.) |
| Load Rating                   | 15A Incandescent, Electronic or Magnetic Fluorescent Ballast; 3/4 HP at 120V   |
| Wire Designation              | Line-Black, Load-Blue, White-Neutral   |
| Power Consumption (base only) | Lights On: 120V - 1.58W, 277V - 2.34W<br>Lights Off: 120V - .27W, 277V - 1.04W   |

### ENVIRONMENTAL

|                             |                               |
|-----------------------------|-------------------------------|
| Operating Temperature Range | 0°C to 40°C (32°F to 104°F)   |
| Storage Temperature Range   | -10°C to 85°C (14°F to 185°F) |
| Relative Humidity           | 0% to 90% non-condensing      |

### PHYSICAL

|       |   |
|-------|---|
| Case  | High impact plastic   |
| Relay | Class B (130°C) insulating material. Silver alloy contacts switching power supply — 120/230/277 VAC |
| Wire  | 6" leads 14 AWG input, two-part terminal block output   |
| Size  | 4.5" dia. x 1.75" deep  |
| Color | White   |

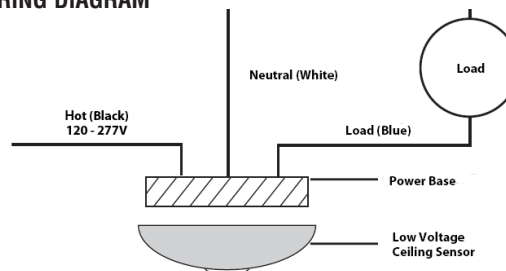
## AGENCY STANDARDS AND COMPLIANCE

|                                      |
|--------------------------------------|
| UL and cUL Listed                    |
| NOM                                  |
| CEC Title-24                         |
| Backed by Limited Five-Year Warranty |

## ORDERING INFORMATION

| PART NO. | CAT. NO.   | DESCRIPTION                                 |
|----------|------------|---|
| 596065   | OSPB15A-WH | 24V DC Ceiling Box Mount Power Base Adaptor |

## WIRING DIAGRAM



Project Name \_\_\_\_\_ Catalog # \_\_\_\_\_

1-800-436-7800 (Support, Option 8) [www.lsi-industries.com](http://www.lsi-industries.com)

© 2016  
LSI INDUSTRIES INC.