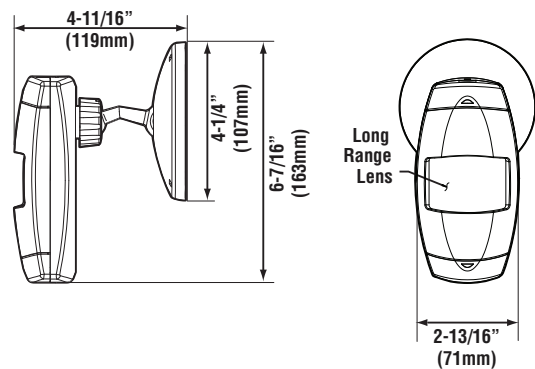


PASSIVE INFRARED AISLE (HIGH BAY) OCCUPANCY SENSOR (OSHMI-WH)



DIMENSIONS



BASIC OPERATION - Specifically designed for long, relatively narrow spaces such as warehouse aisle and corridors, the OSHMI-WH Occupancy Sensor provides long range and high sensitivity.

The OSHMI-WH Occupancy Sensor is a “high bay” lens. This lens provides coverage up to 55 ft. when mounted 30 ft. above the floor. Can be mounted lower if needed.

The mounting base, provided with the sensor, allows quick and easy mounting in corners, on walls or on ceilings. The most common applications are factory storage areas, warehouse aisles and corridors.

APPLICATIONS

- Cafeterias
- Hallways
- Loading docks
- Parking garages
- Stairwells
- Storage room
- Warehouses
- Workspaces

FEATURES

- **Fast, Simple Installation:** Easy base mount, three wire connection (low voltage) and twist-and-lock detector attachment.
- **Self-Adjusting:** Internal microprocessor continually analyzes, evaluates and adjusts the infrared sensitivity and time delay. Performance is kept at a maximum and user complaints are eliminated.
- **Flexible Base Mounting:** Supplied twist-and-lock base mount permits fast alignment. Supplied cover hides mounting hardware and wires. Can be used with raceways for hard surface installations. Adjustable canopy for wall or ceiling mount.
- **Range & Coverage:** Up to 55 ft. for gross body motion or forklift. Max. 7 feet wide.
- **Multi-element, high bay lens** for mounting up to 30 feet.
- **Power base (OSPB15A)** available for line voltage applications.
- **Ambient Light Recognition:** A Light Sensor prevents lights from turning on when the room is adequately lit by natural light.
- **Non-Volatile Memory:** Learned and adjusted settings saved in protected memory are not lost during power outages.
- **Timer Setting Feature:** Automatic – 30sec – 30min. Test mode – 6sec with auto exit programming.
- **Walk-Through:** Provides increased energy savings by decreasing the time delay to 2.5min when someone momentarily walks through the monitored space.
- **High Motion Sensitivity:** Large lens area and multi-element lens design gives excellent range and sensitivity.
- **Custom off-white color** matched for shaded ceiling/corner spaces and most common ceiling tiles.
- **Uses OSPPxx Series Power Pack:** Uses Class 2, 24 volt wiring, three wire connection (low voltage). Multiple sensors can control single or multiple power packs.
- **Device:** High-impact housing and injection molded plastic. Color coded wire leads are 6” long (16.24 cm).
- **Infrared Sensing:** High sensitivity 9.8 micron detector dual element.

HOW THE OS AUTOMATICALLY ADAPTS

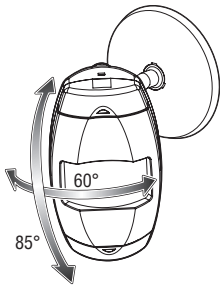
| Condition | Example | Self-Adaptive Reaction |
|---|--|--|
| Timer Left In Test Mode - The sensor remains in a 6 sec. test mode. | An installer accidentally leaves the sensor in the 6 sec. timer test mode and the lights may go off or on every 6 sec. | The sensor automatically resets the timer to 10 min. after 15 min of test mode. |
| False-On - The sensor incorrectly turns the lights on. | The sensor detects movement in the corridor or hallway and the room lights turn on. | After an initial movement is sensed, if another movement is not sensed within the timer setting then the delayed off times setting is automatically reduced. |
| False-Off - The sensor incorrectly turns the lights off. | The sensor does not detect movement because an occupant sits virtually motionless at a desk and the lights turn off. | If motion is sensed within a short period after the lights go off, then the current delayed off-time setting is increased. |



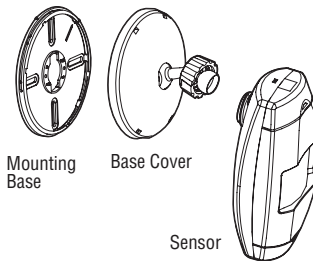
PASSIVE INFRARED AISLE (HIGH BAY) OCCUPANCY SENSOR (OSHMI-WH)

PRODUCT DATA

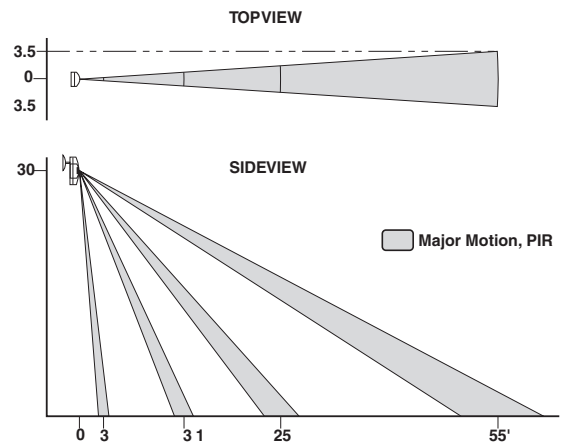
ADJUSTMENT RANGE



MOUNTING BRACKET



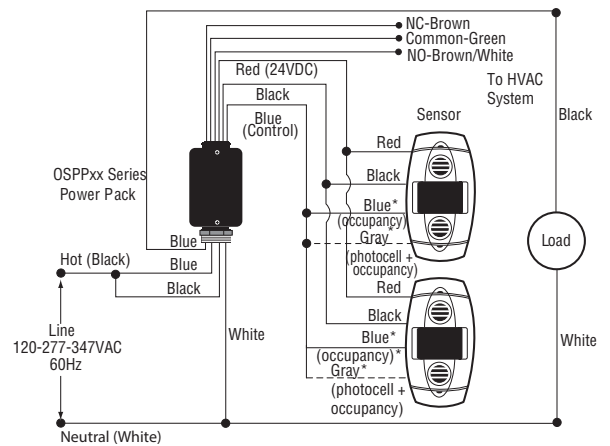
FIELD OF VIEW (in feet)



| DIP SWITCH SETTINGS | | | |
|---------------------|-------------------|------------------------------|------------------------|
| SWITCH | BANK A | SWITCH FUNCTIONS | SWITCH SETTINGS |
| A1 | N/A | OFF | ON |
| A2 | N/A | | |
| A3 | Manual Mode | Auto Adapting Enabled | Auto Adapting Disabled |
| A4 | Walk-Thru Disable | Walk-Thru Enabled | Walk-Thru Disabled |
| BANK B | | | |
| B1 | Override to On | Auto Mode | Lights forced On |
| B2 | Override to Off | Auto Mode | Lights forced Off |
| B3 | Test Mode | OFF'ON'OFF | Enter/Exit Test Mode |
| B4 | LED Disable | LEDs Enabled | LEDs Disabled |

* Bold items are factory defaults

PHYSICAL WIRING



SPECIFICATIONS

| ELECTRICAL | |
|-----------------------------|--|
| Power Requirements | 24 VDC, 25 mA (.6W) from OSPPxx Power Pack or OSPB15A Power Base |
| Power Consumption | 15mA Stand-by |
| Output | 24 VDC active high logic control signal with short circuit protection |
| CONTROLS | |
| Infrared Sensitivity | 0 to 100%: red knob (factory setting: 75%) |
| Light Sensor | Blue knob 20 to 3,000 Lux. Factory set at 100% (Grey wire required) |
| Time Delay | 30sec-30min; black knob (Factory setting: 10min) |
| INDICATORS | |
| Red LED | Infrared motion technology |
| ENVIRONMENTAL | |
| Operating Temperature Range | 32°F to 104°F (0°C to 40°C) |
| Relative Humidity | 0% to 95% non-condensing, for indoor use only |
| OTHER | |
| Mounting Height | 30 feet |
| Listings | CUL/US Certified, meets ASHRAE Standard 90.1 and CEC Title 24 requirements |
| Warranty | Limited Five-Year Warranty |

ORDERING INFORMATION

| PART NO. | CAT NO. | DESCRIPTION |
|----------|----------|---|
| 596054 | OSHMI-WH | Wall/Corner Mount PIR Aisle Long Range (Highbay) 24V DC |

