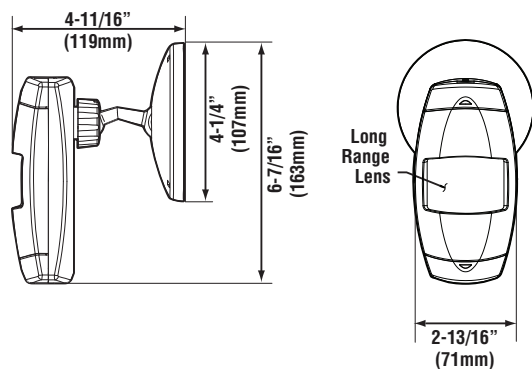


# MULTI-TECHNOLOGY WALL/CORNER OCCUPANCY SENSOR (OS12WM-WH)



## DIMENSIONS



**BASIC OPERATION** - Occupancy sensors have two tasks: 1) Keeping the lights on while the room is occupied. 2) Saving energy by keeping the lights off while the room is unoccupied.

Passive infrared technology is an excellent and precise sensing of motion for turning the lights on, but lacks sensitivity for minor motion at distances. Ultrasonic (U/S) technology provides maximum sensitivity with continuous reflective high frequency waves. This is optimal for keeping the lights on.

The OS12WM combines the benefits of both PIR and U/S technologies for unrivaled performance and reliability.

## APPLICATIONS

- Cafeterias
- Classrooms
- Conference rooms
- Computer rooms
- Day care centers
- Workspaces
- Offices with cubicles
- Partitioned restrooms
- Executive, private and open offices

## FEATURES

- **Multi-Technology:** By using both PIR and U/S signals, the sensor minimizes false triggering for high reliability.
- **Flexible Base Mounting:** Supplied twist-and-lock base mount permits fast alignment. Supplied cover hides mounting hardware and wires. Can be used with raceways for hard surface installations. Adjustable canopy for wall or ceiling mount.
- **Wide Coverage:** Over 1200 sq. ft of coverage.
- **Fast, Simple Installation:** A single mounting post and three color coded wires make installation easy.
- **Self-Adjusting:** Internal microprocessor continually analyzes, evaluates and adjusts sensitivity and time delay settings. Performance is kept at a maximum and user complaints are eliminated.
- **Non-Volatile Memory:** Learned and adjusted settings saved in protected memory are not lost during power outages.
- **Timer Setting Feature:** Automatic – 30sec – 30min. Test mode – 6sec with auto exit programming.
- **Ambient Light Recognition:** A Light Sensor prevents lights from turning on when the room is adequately lit by natural light.
- **Walk-Through:** Provides increased energy savings by decreasing the time delay to 2.5min when someone momentarily walks through the monitored space.
- **Custom off-white color** matched for shaded ceiling/corner spaces and most common ceiling tiles.
- **Uses OSPPxx Series Power Pack:** Uses Class 2, 24 volt wiring, three wire connection (low voltage). Multiple sensors can control single or multiple power packs.
- **Power base (OSPB 15A)** available for line voltage applications
- **High Motion Sensitivity:** The large lens area and multi-element lens design give excellent range and sensitivity.
- **Infrared Sensing:** High sensitivity 9.8 micron detector dual element.
- **Device:** High-impact housing and injection molded plastic. Color coded wire leads are 6" long (16.24 cm).
- **Lens:** 110° aperture, lens opening 2.2" x 1.47", 36 elements (72 zones) small motion range 31 ft, large motion 68 ft

## HOW THE OS AUTOMATICALLY ADAPTS

| Condition                                                           | Example                                                                                                                | Self-Adaptive Reaction                                                                                                                                |
|---------------------------------------------------------------------|------------------------------------------------------------------------------------------------------------------------|-------------------------------------------------------------------------------------------------------------------------------------------------------|
| Timer Left In Test Mode - The sensor remains in a 6 sec. test mode. | An installer accidentally leaves the sensor in the 6 sec. timer test mode and the lights may go off or on every 6 sec. | The sensor automatically resets the timer to 10 min. after 15 min of test mode.                                                                       |
| False-On - The sensor incorrectly turns the lights on.              | The sensor detects movement in the corridor or hallway and the room lights turn on.                                    | After an initial movement is sensed, if another movement is not sensed within the timer setting then the delayed off timing is automatically reduced. |
| False-Off - The sensor incorrectly turns the lights off.            | The sensor does not detect movement because an occupant sits virtually motionless at a desk and the lights turn off.   | If motion is sensed within a short period after the lights go off, then the current delayed off-time setting is increased.                            |



Project Name \_\_\_\_\_ Catalog # \_\_\_\_\_

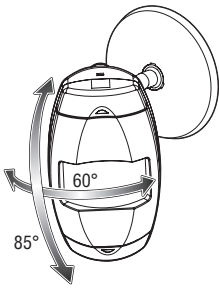
1-800-436-7800 (Support, Option 8) [www.lsi-industries.com](http://www.lsi-industries.com)

© 2016  
LSI INDUSTRIES INC.

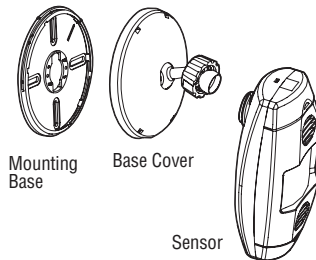
# MULTI-TECHNOLOGY WALL/CORNER OCCUPANCY SENSOR (OS12WM-WH)

## PRODUCT DATA

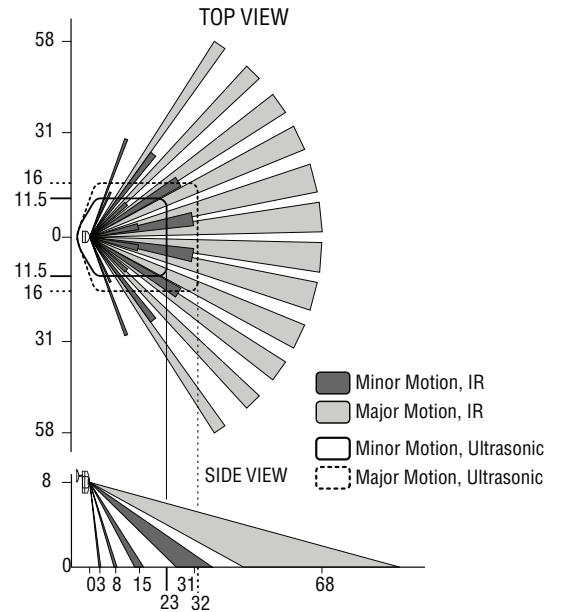
### ADJUSTMENT RANGE



### MOUNTING BRACKET



### FIELD OF VIEW (in feet)



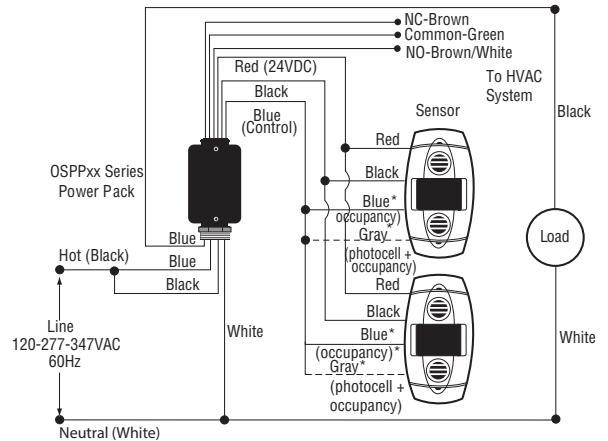
| DIP SWITCH SETTINGS |                   |                       |                        |
|---------------------|-------------------|-----------------------|------------------------|
| SWITCH              | BANK A            | SWITCH FUNCTIONS      | SWITCH SETTINGS        |
|                     |                   | OFF                   | ON                     |
| A1                  | N/A               | Multi-Tech            | Single Tech            |
| A2                  | N/A               | PIR                   | Ultrasonic             |
| A3                  | Manual Mode       | Auto Adapting Enabled | Auto Adapting Disabled |
| A4                  | Walk-Thru Disable | Walk-Thru Enabled     | Walk-Thru Disabled     |
|                     | <b>BANK B</b>     |                       |                        |
| B1                  | Override to On    | Auto Mode             | Lights forced On       |
| B2                  | Override to Off   | Auto Mode             | Lights forced Off      |
| B3                  | Test Mode         | OFF*ON*OFF            | Enter/Exit Test Mode   |
| B4                  | LED Disable       | LEDs Enabled          | LEDs Disabled          |

\*Bold items are factory defaults

## SPECIFICATIONS

| ELECTRICAL                   |                                                                            |
|------------------------------|----------------------------------------------------------------------------|
| Power Requirements           | 24 VDC, 25 mA (.6W) from OSPPxx Power Pack or OSPB15A Power Base           |
| Power Consumption            | 25mA Stand-by                                                              |
| Output                       | 24 VDC active high logic control signal with short circuit protection      |
| CONTROLS                     |                                                                            |
| Ultrasonic (U/S) Sensitivity | 0 to 100%: red knob (factory setting: 75%)                                 |
| Infrared Sensitivity         | 0 to 100%: green knob (factory setting: 50%)                               |
| Light Sensor                 | Blue knob 20 to 3,000 Lux. Factory set at 100% (Grey wire required)        |
| Time Delay                   | 30sec-30min; black knob (Factory setting: 10min)                           |
| INDICATORS                   |                                                                            |
| Red LED                      | Infrared motion technology                                                 |
| Green LED                    | Ultrasonic (U/S) motion technology                                         |
| ENVIRONMENTAL                |                                                                            |
| Operating Temperature Range  | 32°F to 104°F (0°C to 40°C)                                                |
| Relative Humidity            | 0% to 95% non-condensing, for indoor use only                              |
| OTHER                        |                                                                            |
| Mounting Height              | 8-10 feet                                                                  |
| Listings                     | CUL/US Certified, meets ASHRAE Standard 90.1 and CEC Title 24 requirements |
| Warranty                     | Limited Five-Year Warranty                                                 |

## PHYSICAL WIRING



## ORDERING INFORMATION

| PART NO. | CAT NO.   | DESCRIPTION                                                            |
|----------|-----------|------------------------------------------------------------------------|
| 596053   | OS12WM-WH | Wall/Corner Mount Multi-tech Occupancy Sensor 115°/1200 sq. ft. 24V DC |



Project Name \_\_\_\_\_ Catalog # \_\_\_\_\_

1-800-436-7800 (Support, Option 8) [www.lsi-industries.com](http://www.lsi-industries.com)

© 2016 LSI INDUSTRIES INC.