

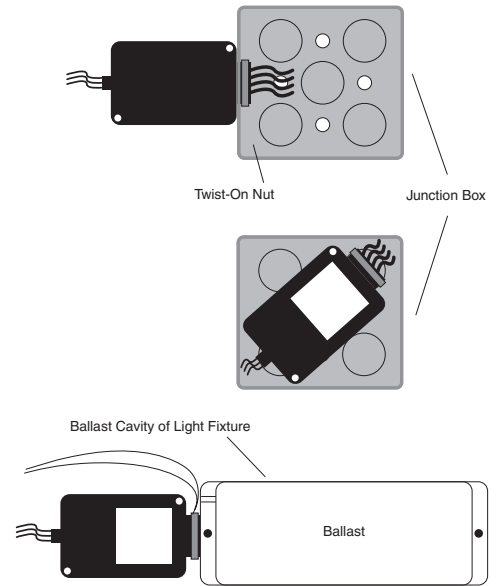


# POWER PACK SERIES (OSPP-20Ax)

## SPECIFICATIONS

ELECTRICAL	
Line Voltage	120-230-277 VAC
Relay Rating	HVAC Relay: 0.5A @ 120VAC, 1.0A @ 30VDC
ENVIRONMENTAL	
Operating Temperature Range	32-104°F (0-40°C)
Relative Humidity	0-90% non-condensing, for indoor use only
OTHER	
Construction	Case: high impact, UL rated plastic Relay: class B (130°C) insulating material; silver alloy contacts Wire: 6" leads, 18AWG input; LV connections: 7" leads 22AWG
Dimensions	2.400"H x 3.811"W x 1.432"D (60.96mm x 96.80mm x 36.37mm)
Listings	UL/CUL Listed, FCC Certified, NOM Certified, and meets ASHRAE Standard 90.1 2010 requirements
Color	Black
Warranty	Limited five-year warranty

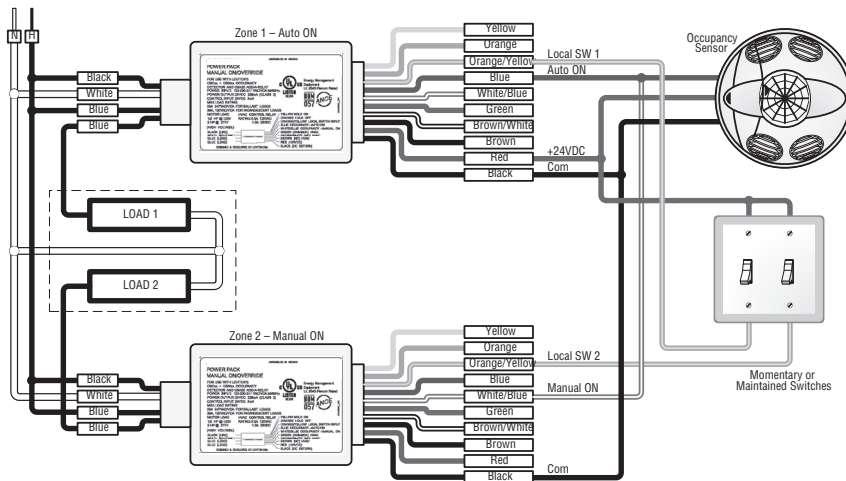
## MOUNTING



## ORDERING INFORMATION

Part No.	Description	Cat. No.	Power Input	Relay Rating	Control Input	Power Supply Output
596057	Power Pack with Dry Contact Relay	OSPP-20AR	120-230-277VAC, 50/60 Hz	20A fluorescent/incandescent @ 120V, 20A fluorescent @ 277V; 1HP @ 120V, 2HP @ 240V; HVAC: 0.5A @ 120VAC, 1A @ 30VDC	5mA, 24VDC	150mA, 24VDC
596059	Power Pack with Dry Contact Relay and Override Inputs for Occupancy Sensors	OSPP-20AT24	120-230-277VAC, 50/60 Hz	20A fluorescent/incandescent @ 120V; 20A fluorescent @ 277V; 1HP @ 120V, 2HP @ 240V; HVAC: .05A @ 120VAC, 1A @ 20VDC and 15A fluorescent @ 347V; 1HP @ 120V; 2HP @ 240; HVAC: 0.5A @ 120V, 1A @ 30VDC	5mA, 24VDC	225mA, 24VDC
596064	Power Pack with Dry Contact Relay and Override Inputs for Occupancy Sensors	OSPP-15AR-347	347VAC, 60 Hz	15A fluorescent @ 347V; 1HP @ 120V, 2HP @ 240V; HVAC: 0.5A @ 120VAC, 1A @ 30VDC	5mA, 24VDC	120mA, 24VDC

## OSPP20-AT24 BI-LEVEL SWITCHING



## WIRING DESIGNATIONS

SIGNAL TYPE	LINE VOLTAGE	COLOR	GAUGE
<b>LINE VOLTAGE WIRES</b>			
Line	120-230-277VAC (OSPP-20AR)	Black	18AWG
Neutral		White	18AWG
Load		Blue	14AWG
Load		Blue	14AWG
<b>CLASS 2 WIRES</b>			
Power (24VDC)		Red	22AWG
DC Return		Black	22AWG
Occupancy Auto-ON		Blue	22AWG
Occupancy Manual-ON		Blue/White	22AWG
Hold-ON		Yellow	22AWG
Hold-OFF		Orange	22AWG
Local Switch Input		Yellow/Orange	22AWG
<b>HVAC WIRES</b>			
Dry Contact Common		Green	22AWG
Dry Contact NO (Normally Open)		Brown/White	22AWG
Dry Contact NC (Normally Closed)		Brown	22AWG

- All wires rated at 221°F (105°C), 600V insulation
- Class 2 wires are Teflon jacketed, for plenum applications
- Dry contact wiring is Class 1 and Class 2 rated

## POWER PACK CAPACITY FORMULA

Power packs can be used to provide power to one or more occupancy sensors. Since current consumptions of occupancy sensors may vary, the best way to ensure you order the correct number of power packs and add-a-relays is by using this formula:

$$\begin{matrix}
 \# \text{ of sensor} \\
 \text{Model As} \\
 \times \\
 \text{Sensor A current} \\
 \text{consumption}
 \end{matrix}
 +
 \begin{matrix}
 \# \text{ of sensor} \\
 \text{Model Bs} \\
 \times \\
 \text{Sensor B current} \\
 \text{consumption}
 \end{matrix}
 +
 \begin{matrix}
 \# \text{ of Add a} \\
 \text{Relays} \\
 \times \\
 50\text{mA}
 \end{matrix}
 < 150\text{mA} \text{ per power pack}$$

DESCRIPTION	CURRENT CONSUMPTION
OS15CI-WH, OSHMI-WH, OSACWI-WH	10-15mA
OS05CM-WH, OS12WMH-WH	25mA
OS20CM-WH	30mA



Project Name \_\_\_\_\_ Catalog # \_\_\_\_\_

1-800-436-7800 (Support, Option 8) www.lsi-industries.com

© 2016 LSI INDUSTRIES INC.