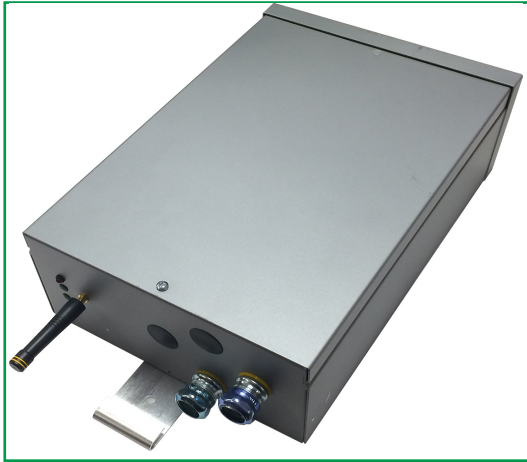
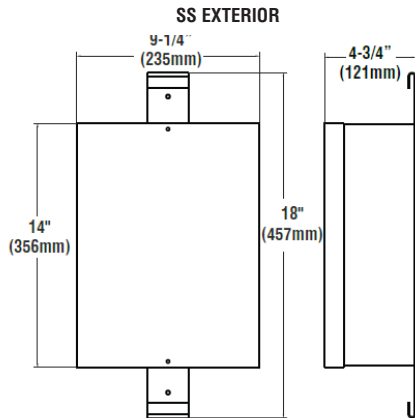
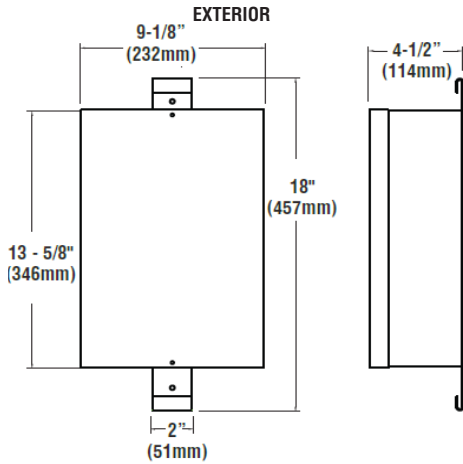


GOLD ZONE CONTROLLER (GZC)



DIMENSIONS



PRODUCT DESCRIPTION

LSI Controls' Gold Zone Controller (GZC) is one of the components of a Gold Wireless Lighting Control System. Each GZC provides the capability to control up to two loads and dim the loads with its 0-10Vdc output. The GZC can be ordered with a single or dual load controller.

The Gold Wireless Lighting Control System is comprised of one Gold Site Manager (GSM), one Gold Override Switch (GOV), Gold Control Modules (GCM) for each lighting fixture, optional Gold Motion Sensor Overrides (GMO), optional Gold Photo Sensors (GPH), optional Gold Zone Controller (GZC) and optional Gold Circuit Controllers (GCC).

The Gold Wireless Lighting Control System communicates using a 915 MHz mesh radio network employing the standard 802.15.4 protocol. Each unit functions as a repeater extending the wireless mess network. Typical range between wireless devices: 300 feet (approx. 100m) outdoors with line-of-sight.

HOUSING – Die-formed steel housing contains factory prewired controller and motion sensor. A terminal block is provided for easy field wiring. The EXT and SS are tested for wet locations.

FINISH - Enclosures have a powder coat finish with “Anthro Silver” color. Stainless Steel enclosures are made with 304 Grade with a natural finish.

MOUNTING - Mounting bracket is factory installed and can be used with cable straps or mounting holes.

ELECTRICAL - GZC UE (120-277VAC), Amps per load: 5A, 50/60 Hz

OPERATING TEMPERATURE - SS/EXT -40°C to +70°C (-40°F to +160°F). 10-95% non-condensing, 7000' altitude or less.

WARRANTY - LSI Controls components carry a limited 5-year warranty

SHIPPING WEIGHT (IN CARTON) - GZC EXT 12 lbs. / 5.4 kg (standard steel housing),

GZC SS 14 lbs. / 6.3 kg (stainless steel housing)

CERTIFICATIONS – Listed to US and Canadian safety standards. RoHS Compliant.

This product, or selected versions of this product, meet the standards listed below. Please consult factory for your specific requirements.



ORDERING INFORMATION

TYPICAL ORDER EXAMPLE: **GZC UE EXT**

CAT NO.	INPUT VOLTAGE	ENCLOSURE
GZC - Gold Zone Controller	UE – Universal Electronic Voltage (120 – 277)	EXT – Exterior / Interior SS – Stainless Steel



Project Name _____ Catalog # _____

1-844-444-4476

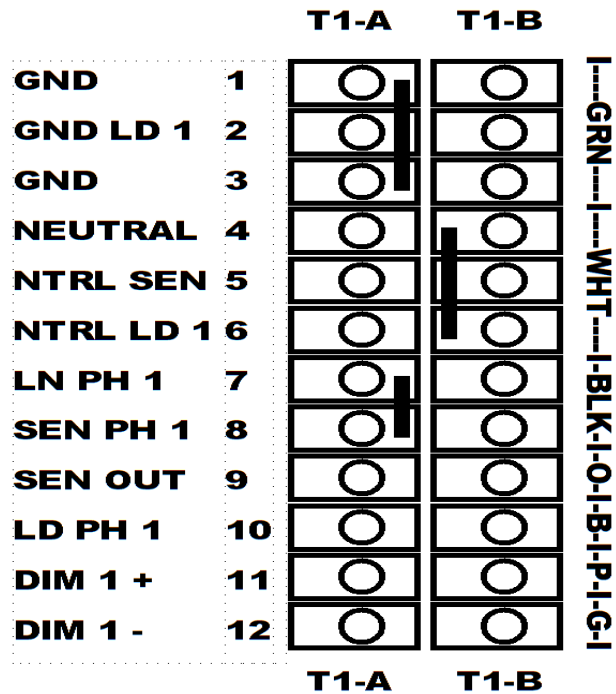
Visit our website at: www.lsi-industries.com

11/20/15

© 2015
LSI INDUSTRIES INC.

GOLD ZONE CONTROLLER (GZC)

WIRING DIAGRAM



Project Name _____ Catalog # _____

1-844-444-4476 Visit our website at: www.lsi-industries.com

11/20/15
© 2015
LSI INDUSTRIES INC.