

GOLD OVERRIDE SWITCH (GOV)



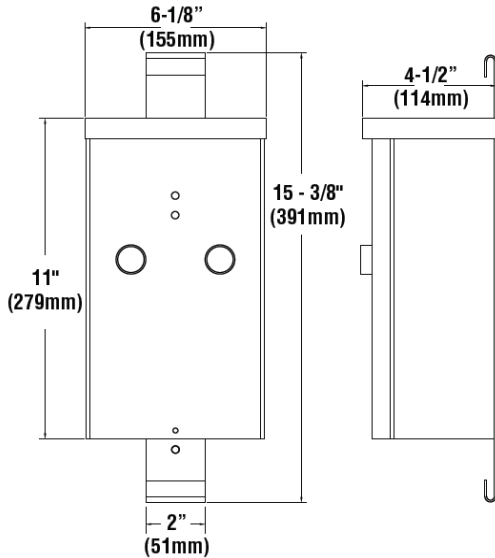
PRODUCT DESCRIPTION

LSI Controls' Gold Override Switch (GOV) is one of the components of a Gold Wireless Lighting Control System. The Gold Override Switch provides an easy way to shut off all zones manually at any time. Press the second amber button to immediately resume all schedules. Mount indoors in an area accessible to building maintenance personnel, but away from the general public.

The Gold Wireless Lighting Control System is comprised of one Gold Site Manager PC software and Radio Module (GSM), one Gold Override Switch (GOV), one Gold Control Modules (GCM) for each lighting fixture, one or more optional Gold Motion Sensor Overrides (GMO), one or more optional Gold Photo Sensors (GPH), one or more optional Gold Zone Controller (GZC) and one or more optional Gold Circuit Controllers (GCC).

The Gold Wireless Lighting Control System communicates using a patented 915 MHz mesh radio network employing the standard 802.15.4 protocol. Each unit is a repeater of radio packets. Typical range between wireless devices: 300 ft. (approx. 100m) outdoors with line-of-sight.

DIMENSIONS



HOUSING – Die-formed steel housing contains factory prewired controller. A terminal block is provided for easy field wiring.

FINISH - Housings have a powder coat finish with “John Deere Green” color.

MOUNTING - Mounting bracket is factory installed and can be used with cable straps or mounting holes.

ELECTRICAL- 120V – 277 VAC, 50/60 Hz

OPERATING TEMPERATURE - -20°C to +70°C (-4°F to +160°F).

10-95% non-condensing, 7000' altitude or less.

WARRANTY - LSI Controls components carry a limited 5-year warranty

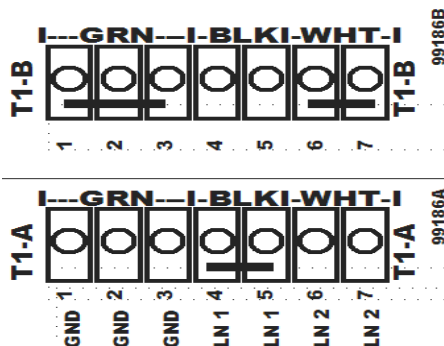
SHIPPING WEIGHT (IN CARTON) – 11 lbs. / 5 kg

CERTIFICATIONS – Listed to US and Canadian safety standards. RoHS Compliant.

This product, or selected versions of this product, meet the standards listed below. Please consult factory for your specific requirements.



TERMINAL BLOCK WIRING DIAGRAM



ORDERING INFORMATION

CAT NO.	DESCRIPTION
GOV	Gold override switch

NOTE: When ordering Gold, there must be a GOV (override) and a GSM PC (site manager) for each site.



Project Name _____ Catalog # _____

1-844-444-4476

Visit our website at: www.lsi-industries.com

11/20/15

© 2015
LSI INDUSTRIES INC.