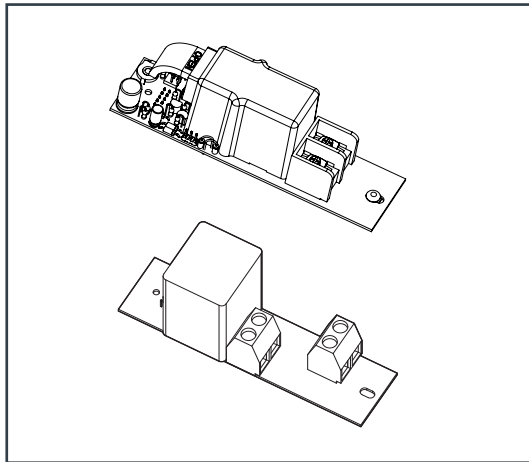


RELAY CONTROL PANEL RELAY CARDS (RCP RLY)



DESCRIPTION

Relay Controls Panels use individual Relay Cards for each circuit allowing for the most flexibility in matching the relay type to your specific load requirements. The benefit of a single relay card for a single circuit allows an infinite arrangement of relay types to position in your system and supports individual replacement should the need ever occur. For maximum equipment protection, the standard 30A relay card has a short circuit current rating (SCCR) of 20,000A to allow it to withstand higher current inrushes caused by short circuit conditions.

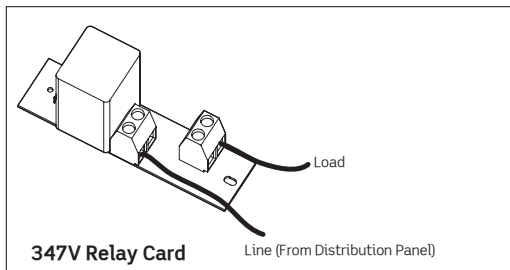
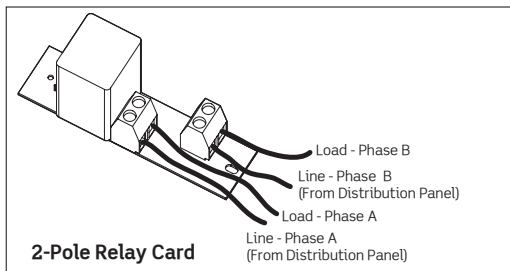
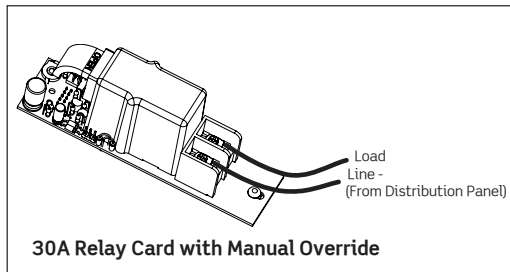
FEATURES

- Relay cards individually replaceable
- Mechanical attachment to panel of each relay card is with a single screw
- Listed for use with ballasted loads
- From the panel, each relay card can be controlled as follows:
 - Override On
 - Override Off
 - Locked Override On
 - Locked Override Off
 - Timed On
 - Timed Override Off
 - 10 year warranty on relay cards

ENVIRONMENTAL

- Operating Temperature Range: 32-104°F (0-40°C)
- Relative Humidity: less than 90% non-condensing

WIRING DIAGRAMS



SPECIFICATIONS

RELAY TYPE	WIRE SIZE	WIRE TYPE	TORQUE	MAX VOLTAGE	TUNGSTEN RATING (120V)	BALLAST RATING	MOTOR RATING (120V/277V)	INDUCTIVE BALLAST TRANSFORMER, HID RATING
1-Pole N/O or N/C Relay Card with Manual Override (20,000 SCCR) (RCP RLY 1P30)	#14-#8 AWG	Solid or Stranded	16 in-lbs	277V	20A	30A	1/2 HP/1 HP	30A
				347V		20A		
2-Pole, N/O Relay Card (RCP RLY 2P20)	#14-#6 AWG	Solid or Stranded	20.5 in-lbs	277V Per Pole (480V)	-	20A	2 HP @ 240V & 480V	20A
347V N/O Relay Card (RCP RLY 2P20 347)	#14-#6 AWG	Solid or Stranded	20.5 in-lbs	347V	-	20A	-	20A

ORDERING INFORMATION

TYPICAL ORDER EXAMPLE: **RCP RLY 1P30**

CAT NO.	DESCRIPTION
RCP RLY 1P30	1-Pole N/O or N/C Relay Card with Manual Override, 30A, 120-277V, 347V, 20A Ballast
RCP RLY 2P20	2-Pole, N/O Relay Card, 20A, 208-480V
RCP RLY 2P20 347	347V N/O Relay Card, 20A, 347V

