

RELAY CONTROL PANEL PHOTOCELLS (RCP PC)



DESCRIPTION

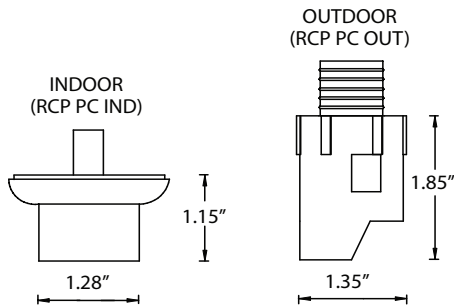
Photocell sensors precisely monitor either task or ambient light levels. As part of a lighting and energy solution, photocells work with other components in the system to automatically adjust light levels to a user-defined level. Photocells are most suitable for installation in rooms with windows and open spaces receiving substantial ambient light.

Photocells must be hardwired to a compatible lighting control system. The photocell measures ambient light in a specific area and sends this data to a dimmer or relay that, in turn, adjusts fixtures to a constant lighting level as measured in that specific area. Daylight harvesting is achieved as lights in a room (with windows or significant, artificial ambient light) automatically brighten or dim depending on how much light the photocell detects.

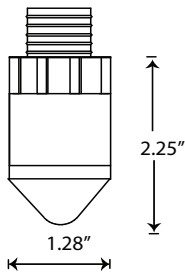
BENEFITS

- Constant lighting at the optimal level for greater visual comfort and acuity, which contributes to improved productivity
- Provides convenient, automatic hands-free daylight harvesting when integrated with lighting control products
- Lowers electric bills by reducing usage of lighting where ambient natural light is also present
- Lumen maintenance opportunity compatible

DIMENSIONS



ATRIUM/SKYLIGHT
(RCP PC ATR/RCP PC SKY)

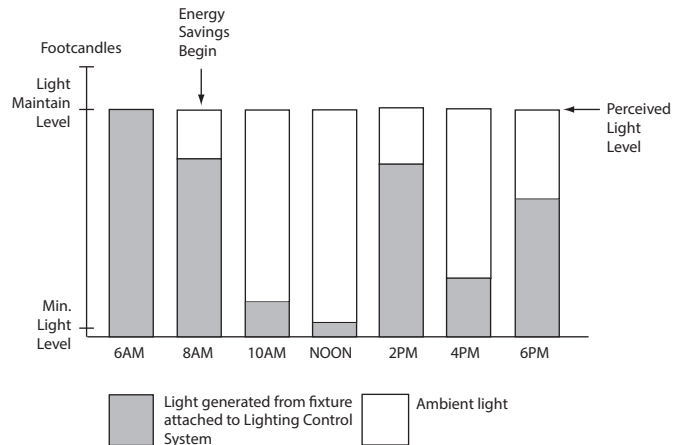


DAYLIGHT HARVESTING

With daylight harvesting, ambient (often natural) light supplements in-room, artificial light in order to keep a constant lighting level while simultaneously saving energy. This ensures unnecessary overhead lighting remains dimmed or OFF. This constant level is programmed into a compatible control device. Once hardwired to the photocell, the dimmer or relay receives the photocell's real-time light measurement and maintains a steady level within the photocell's area of detection.

RULES OF OPERATION

Measured light level = Light Maintain Level Action: Output to lights remains constant
 Measured light level < Light Maintain Level Action: Lights are brightened
 Measured light level > Light Maintain Level Action: Lights are dimmed



ORDERING INFORMATION

TYPICAL ORDER EXAMPLE: **RCP PC IND**

CAT NO.	DESCRIPTION
RCP PC IND	Indoor Photocell
RCP PC OUT	Outdoor Photocell
RCP PC ATR	Atrium Photocell
RCP PC SKY	Skylight Photocell



RELAY CONTROL PANEL PHOTOCELLS (RCP PC)

FEATURES

- Indoor photocells designed with a flat Fresnel lens looks downward in a 60° cone of reference to measure actual light on the work surface and reduce the influence of stray light striking the photocell from nearby windows or incidental side lighting
- Outdoor photocells are IP54 rated to guarantee ultimate protection from dirt, dust, oil and other non-corrosive material
- Measures light from any source in the visible spectrum within a 60° cone or 180° angle of response depending on the model
- RCP PC indoor photocell** with 60° clear Fresnel lens is default setting = 75-800FC sensing range; can be field adjusted to 800FC max sensing range. Indoor Photocells should be mounted to the ceiling, facing down
- RCP PC outdoor photocell** is enclosed in a weatherproof housing with a visor for shading and lens protection. Default setting = 50-750FC sensing range
- RCP PC atrium photocell** with opaque dome lens filters 33% of light level in upper atrium. Default setting = 215-2,690FC sensing range; can be field adjusted to 2,690FC max sensing range
- RCP PC skylight photocell** with dark dome lens filters 90% of light level in skylight. Default setting = 1,076-8,072FC sensing range; can be field adjusted to 8,072FC max sensing range

SPECIFICATIONS

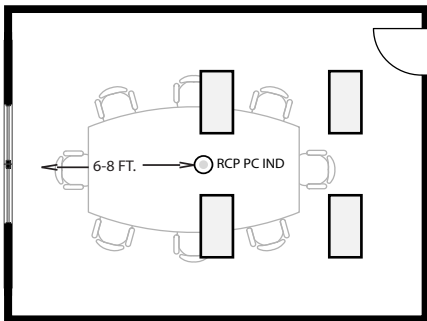
	RCP PC IND	RCP PC OUT	RPC PC ATR	RCP PC SKY
Input Voltage	24VDC			
Input Current	10mA			
IP Rating	20	54	65	
Default Range	50-750 FC (753-8072 LUX)	0-30 FC (0-322 LUX)	200-2500 FC (2152-26909 LUX)	1000-7500 FC (10763-80729 LUX)
Output Voltage	10VDC full output	0-10VDC	10VDC full output	
Operating Temperature Range	12°F to 140°F (-11°C to 60°C)	-40°F to 122°F (-40°C to 50°C)	12°F to 140°F (-11°C to 60°C)	
Storage Temperature Range	14°F to 185°F (-10°C to 85°C)			
Warranty	Limited 2-Year Warranty			

SELECTION

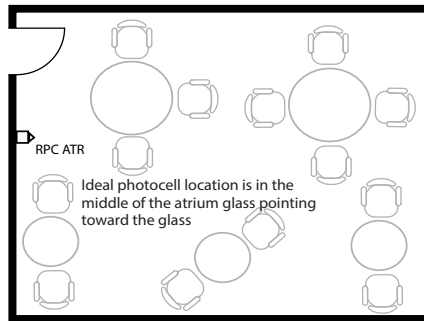
PHOTOCELL	LENS	MOUNTING	ORIENTATION	HEIGHT	DIAMETER
RCP PC IND	Fresnel	Ceiling	Down	2.00" (50.8mm)	1.00" (25.4mm)
RCP PC OUT	Clear Hood	1/2" IPT	Horizontal	1.85" (46.99mm)	1.28" (32.51mm)
RCP PC ATR	Dome/Frost	1/2" IPT	Horizontal	2.25" (57.15mm)	1.28" (32.51mm)
RCP PC SKY			Up		

PLACEMENT

RCP PC IND INDOOR PHOTOCELL MOUNTING LOCATION

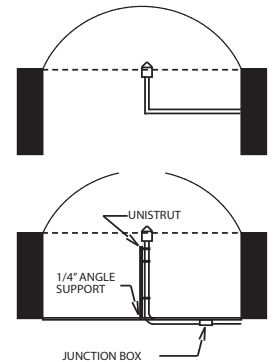


ATRIUM PHOTOCELL MOUNTING LOCATION



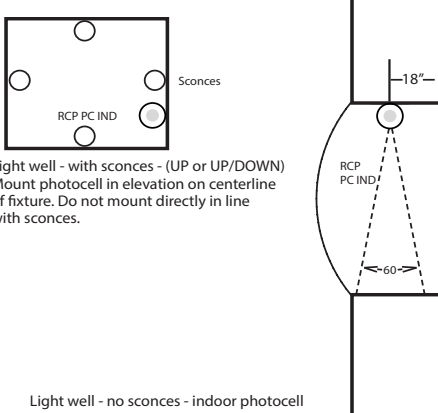
SKYLIGHT APPLICATION WITH SKYLIGHT PHOTOCELL

Top of photocell should be level with top of skylight curb
 Photocell in 1/2" conduit. Photocell must be at least 12" from side of skylight and facing up



NOTE:
 Support conduit from unistrut as required per NEC

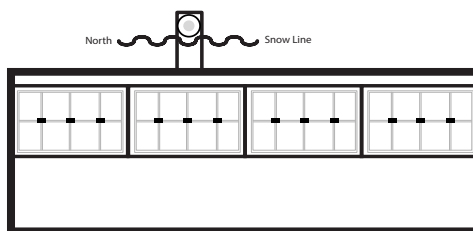
REFLECTING WALL USING INDOOR SENSOR



Light well - with sconces - (UP or UP/DOWN)
 Mount photocell in elevation on centerline of fixture. Do not mount directly in line with sconces.

Light well - no sconces - indoor photocell

OUTDOOR PHOTOCELL MOUNTED IN 1/2" CONDUIT



Outdoor photocell mounted horizontally on roof or equal, facing northern sky
 Hooded portion on top, pointed away from any nighttime light sources

