

LED ROADWAY LIGHT - MEDIUM (XRM)



U.S. and international patents pending

EXPECTED LIFE - Minimum 60,000 hours to 100,000 hours depending upon the ambient temperature of the installation location. See LSI web site for specific guidance.

LEDs - Select high-brightness LEDs. 5750°K color temperature (nominal).

DISTRIBUTION/PERFORMANCE - Types 2, 3, FT*, and 5. Exceptional uniformity with full cutoff creates bright environment at lower light levels. Improved backlight cutoff minimizes light trespass.

HOUSING - Die-formed aluminum. Weather-tight housing contains factory prewired driver and field connections. Wiring access door is located underneath and utilizes tool-less thumbscrew fastener.

OPTICAL UNIT - Clear, flat tempered glass lens sealed to aluminum optics housing creates an IP67 rated, sealed optical unit.

MOUNTING - Tapered rear design allows fixtures to be mounted to a range of mast arms from 1-1/4" (1.66" O.D.) to 2" (2.375" O.D.), using internal clamping bracket. If existing mast arm is larger than 2" (2.375" O.D.), tenon reducers are available. Consult factory. LSI mast arm can be ordered separately.

LSI MAST ARM: Mast arm is conically tapered from 3-1/2" O.D. x .125" wall 6063 alloy extruded aluminum tube to 2" (2.375" O.D.) pipe size at the luminaire end. Tapered tube is then formed to an elliptical shape with the long axis oriented vertically. Arm is joined to the slipfitter by a continuous circumferential weld. Each arm is heat treated after welding to produce a T6 temper. All arms have a 32" rise. Available in 4', 6' and 8' nominal arm lengths with single (S) and double arms at 180° (D180) mounting configurations. The arms can be oriented on the tenon pole in any direction at time of installation. The slipfitter is a 2-1/2" schedule 40 x 10" long aluminum hub (6061 - T6 alloy). A 1" I.D. rubber grommet is included in the hub. Hub mounts to 2" (2.375" O.D.) pipe size x 4-3/4" tall tenon. Stainless steel 1/2"-13 set screws are in two rows for ease of leveling. For use with LSI's Steel Straight Round, Steel Straight Square or Steel Round Tapered Tenon Mount poles (See separate data sheets).

ELECTRICAL - Universal voltage power supply 120-277 VAC, (50/60 Hz) input. Also available in 347 volt and 480 volt. Supply voltage must be specified for use with optional button-type photocells. PCI is available in 120, 208, 240, 277 or 347 volt. Optional twistlock photocell receptacle is also available. Photocell must be ordered separately.

DRIVER - State-of-the-art driver technology designed specifically for LSI LED light sources provides unsurpassed system efficiency. Components are fully encased in potting material for moisture resistance. Driver complies with IEC and FCC standards.

OPERATING TEMPERATURE - -40°C to +50°C (-40°F to +122°F).

FINISH - LSI's DuraGrip® polyester powder coat finishing process withstands extreme weather changes without cracking or peeling. Guaranteed for five full years.

WARRANTY - Limited 5-year warranty.

PHOTOMETRICS - Contact LSI Applications Group at lighting.apps@lsi-industries.com for layout assistance.

SHIPPING WEIGHT - 28.0 lbs/12.2 kg (fixture only). Add mast arm weight for total shipping weight.

LISTING - Listed to U.S. and International safety standards. Suitable for wet locations.

* FT distribution is classified as semi-cutoff.

Crossover® LED Lighting

lighting facts^{CM}

A Program of the U.S. DOE

Light Output (Lumens)	9411
Watts	136.2
Lumens per Watt (Efficacy)	69

Color Accuracy Color Rendering Index (CRI)	70
--	-----------

Light Color
Correlated Color Temperature (CCT)

5750 (Daylight)

2700K 3000K 4500K 6500K

All results are according to IESNA LM-79-2008: Approved Method for the Electrical and Photometric Testing of Solid-State Lighting. The U.S. Department of Energy (DOE) verifies product test data and results. Products qualified under the DOE ENERGY STAR® program have the ENERGY STAR mark on this label.

Visit www.lightingfacts.com for the Label Reference Guide.

Registration Number: KGGN-2ZSBTL
Model Number: XRM-3-LED-119-CW-UE
Type: Outdoor pole/arm-mounted area and roadway fixtures

This "Lighting Facts Label" represents LSI's commitment, through participation in the Department of Energy's SSL Quality Advocates program, to accurately report performance criteria of our LED fixtures. **This label represents a single test of a single fixture. Input power below represents rated values for the family.** Color temperature and lumen output for each variation of this Crossover® fixture can be found in the ordering information below as well as at www.lightingfacts.com.

LIGHT OUTPUT		
Fixture	Distribution	Lumens (Nominal)
XRM	Type 2	9900
	Type 3	9400
	Type FT	10,200
	Type 5	9000
Input Power of 137 watts		

IP67



RoHS
COMPLIANT



Intertek
Suitable for wet locations



LED ROADWAY LIGHT - MEDIUM (XRM)

LUMINAIRE ORDERING INFORMATION

TYPICAL ORDER EXAMPLE: **XRM 2 LED 119 CW UE WHT PCI120**

Prefix	Distribution	Light Source	# of LEDs	LED Color Temperature	Line Voltage	Luminaire Finish	Options
XRM - LED Roadway Medium	2 - Type 2 3 - Type 3 FT - Forward Throw 5 - Type 5	LED	119	CW - Cool White (5750°K nom.)	UE - Universal Voltage (120-277) 347 480	BLK - Black BRZ - Bronze BUF - Buff GPT - Graphite MSV - Metallic Silver PLP - Platinum Plus SVG - Satin Verde Green WHT - White	Button Type Photocells PCI 120 - 120v PCI 208 - 208v PCI 240 - 240v PCI 277 - 277v PCI 347 - 347v PCR - Twistlock Photoelectric Control Receptacle ¹ TB - Terminal Block

LUMINAIRE EPA CHART - XRM	
Single	1.3
D180	2.6

ACCESSORY ORDERING INFORMATION		(Accessories are field installed)	
Description	Order Number	Description	Order Number
DVS - Direct View Shield (rear mount only) ²	390687CLR	PC 347 - Photocell for use w/ PCR option (347V) ³	159516
PC 120 - Photocell for use w/ PCR option (120V) ³	122514	PC 480 - Photocell for use w/ PCR option (480V) ³	1225180
PC 208-277 - Photocell for use w/ PCR option (208V, 240V or 277V) ³	122515		

FOOTNOTES:

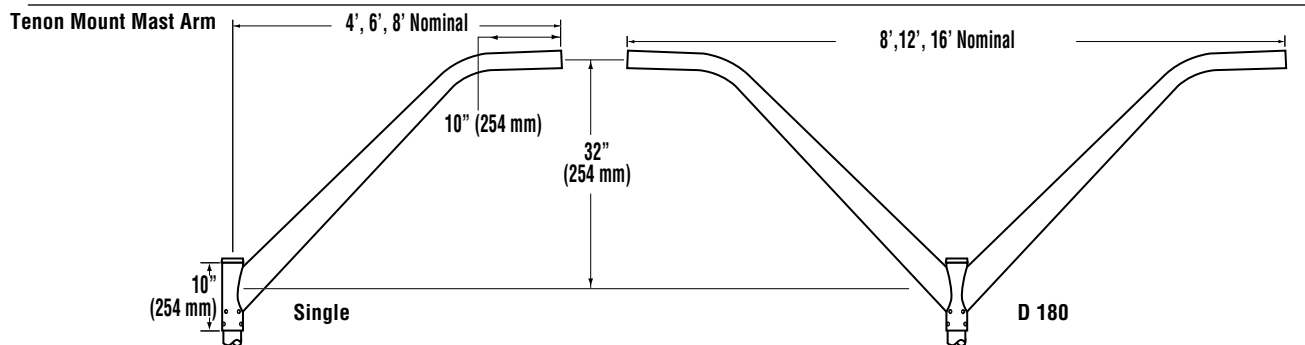
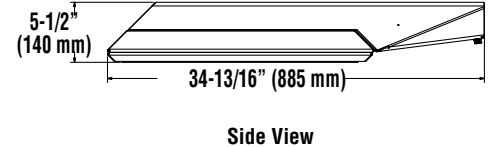
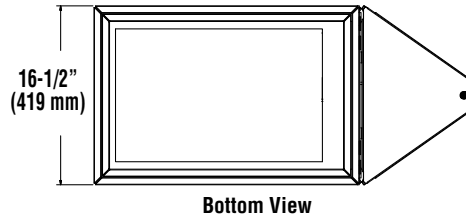
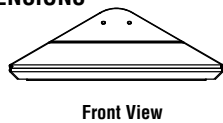
- 1- Photocell must be ordered separately. See Accessories.
- 2- Direct View Shield adds to fixture EPA. Consult factory.
- 3- Factory install PCR option required. See Options.

TENON MOUNT MAST ARM ORDERING INFORMATION

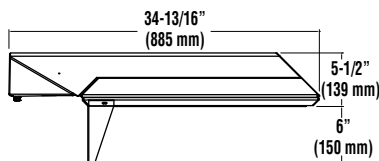
TYPICAL ORDER EXAMPLE: **BKA PTB MAST ARM 4 S BLK**

Bracket Designation	Bracket Type	Bracket Length	Bracket Configuration	Bracket Finish		EPAs and Shipping Weights		
				PLP - Platinum Plus	SVG - Satin Verde Green	Catalog Number	EPA Value	Shipping Wt (kg/lbs)
BKA	PTB MAST ARM	4 - 4 Foot 6 - 6 Foot 8 - 8 Foot	S - Single D180 - Double	BLK - Black BRZ - Bronze BUF - Buff GPT - Graphite MSV - Metallic Silver	WHT - White RAW - Raw Aluminum with Satin Finish	BKA PTB MAST ARM 4 S BKA PTB MAST ARM 4 D180 BKA PTB MAST ARM 6 S BKA PTB MAST ARM 6 D180 BKA PTB MAST ARM 8 S BKA PTB MAST ARM 8 D180	1.9 3.6 2.3 4.5 3.2 6.2	4.1/9 6.8/15 5.4/12 9.5/21 7.3/16 13.2/29

DIMENSIONS



DVS - Direct View Shield (390687CLR)



06/07/10

Project Name _____ Fixture Type _____

Catalog # _____