

TWO LAMP STRIP (T8/T12)

S2

PRODUCT HIGHLIGHTS

- Premium housing crimped along sides for extra rigidity and straight alignment
- Accepts optional plug-in wiring feature for continuous row installation
- Alignment couplers furnished for continuous row installation
- Channel cover equipped with quarter-turn, captive fasteners for easy access to ballast compartment

CONSTRUCTION - Fixture housing, lampholder brackets, end sections and channel cover constructed of code-gauge, die-formed steel.

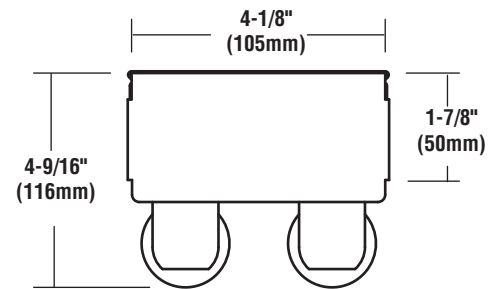
ELECTRICAL - All devices UL/CUL listed. Suitable for damp locations. Damp location emergency pack must be specified separately. Ballasts are energy-saving solid-state electronic or electromagnetic. Ballasts and lampholders replaceable without removing from ceiling. Discrete voltage must be specified for emergency pack options when wired with flex.

FINISH - All metal parts painted after fabrication following treatment with phosphate rust inhibitor. Finish coating of housing reflecting surfaces is with white, high reflectance (minimum 92%) polyester powder.

PHOTOMETRICS - Please visit our web site at www.lsi-industries.com for detailed photometric data.



DIMENSIONS



ORDERING INFORMATION

TYPICAL ORDER EXAMPLE: **S 2 32 SS010 EM UE**

Prefix	Lamps	Lamp Type	Ballasts	Options	Voltage
S	2	T8 17 - 17W 24" 25 - 25W 36" 32 - 32W 48" <hr/> T12 20 - 20W 24" 30 - 30W 36" 34 - 34W 48" Note: For tandem configurations suffix number above with "-2"	SS0D - T8 Dimming (specify type) SS0L - T8 Low Watt SS0HL - T8 High Ballast Factor SS0HLR - T8 Program Start High Ballast Factor SS0R - T8 Rapid Start SS010 - T8 <10% THD Instant Start SS12 - T12 Electronic	F - Fusing EM - Emergency Pack EMDL - Emergency Pack - Damp Location PM - Prewired Plug-in Assembly (specify circuitry. See Options/Accessories Section) NYC - 20 GA. Housing	120 - 120V 277 - 277V 347 - 347V UE - Universal Electronic (120-277V)

ACCESSORY ORDERING INFORMATION (Accessories are field installed)			
Description	Order Number	Description	Order Number
Wire Guard - 4 foot	WG240	Symmetrical Reflector (specify unit)	SR
Clamp Hanger	CH-12	Asymmetrical Reflector (specify unit)	AR
Chain Hanger Set (36" length)	CHS		

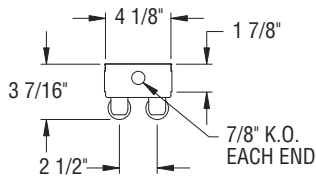
04/16/10

Project Name _____ Fixture Type _____

Catalog # _____

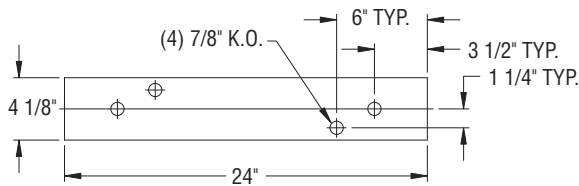
S2

DIMENSIONS

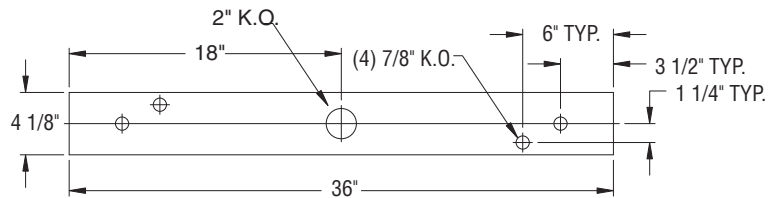


2 LAMP
2 LAMP TANDEM

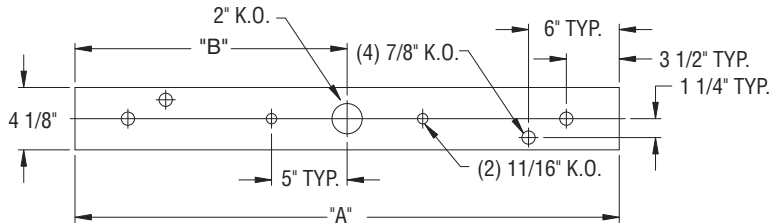
MOUNTING



S-217 AND S-220

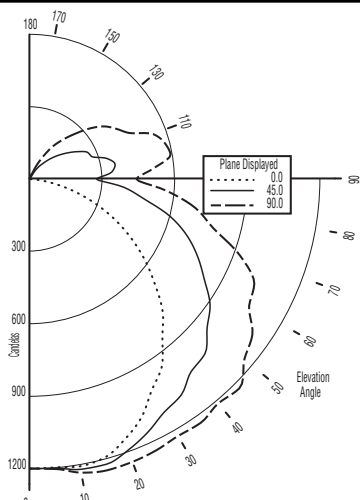


S-225 AND S-230



CATALOG	"A" DIM.	"B" DIM.
S-232 S-234	48"	24"
S-225-2 S-230-2	72"	36"
S-232-2 S-234-2	96"	48"

PHOTOMETRICS



Vertical Degree	Horizontal Angle		
	0	45	90
0	1099	1099	1099
10	1107	1119	1132
20	1052	1094	1142
30	925	1021	1126
40	782	953	1112
50	619	878	1063
60	440	765	961
70	256	637	849
80	87	443	640
90	3	253	405
100	0	328	542
110	0	250	499
120	0	209	381
130	0	141	301
140	0	80	197
150	0	31	99
160	0	0	21
170	0	0	0
180	0	0	0

Efficiency 95.30%

LER FS-86

Zone	Lumens	%Lamp	%Fixt
0-30	912.11	15.5	16.2
0-40	1535.58	26	27.3
0-60	2963.46	50.2	52.7
0-90	4522.56	76.7	80.4
90-120	809.85	13.7	14.4
90-130	963.03	16.3	17.1
90-150	1090.2	18.5	19.4
90-180	1100.49	18.7	19.6
0-180	5623.05	95.3	100

Coefficients Of Utilization - Zonal Cavity Method Effective Floor Cavity Reflectance 0.20

RC	80			70			50				
	70	50	30	10	70	50	30	10	50	30	10
0	109	109	109	109	104	104	104	104	96	96	96
1	97	91	86	82	92	87	83	79	80	76	73
2	87	78	70	64	82	74	68	62	68	62	58
3	78	67	59	52	74	64	57	50	59	52	47
4	71	59	50	43	68	57	48	42	52	45	39
5	65	52	43	37	62	50	42	36	46	39	33
6	60	47	38	31	57	45	37	31	41	34	29
7	55	42	33	27	53	40	32	27	37	30	25
8	51	38	30	24	49	37	29	24	34	27	22
9	48	35	27	21	46	34	26	21	31	24	20
10	45	32	24	19	43	31	24	19	29	22	18

04/19/10

Project Name _____ Fixture Type _____

Catalog # _____