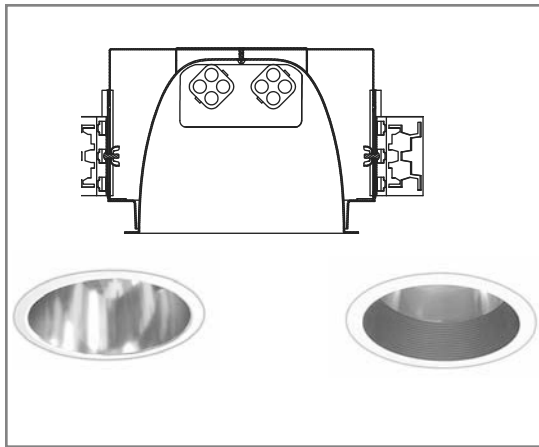
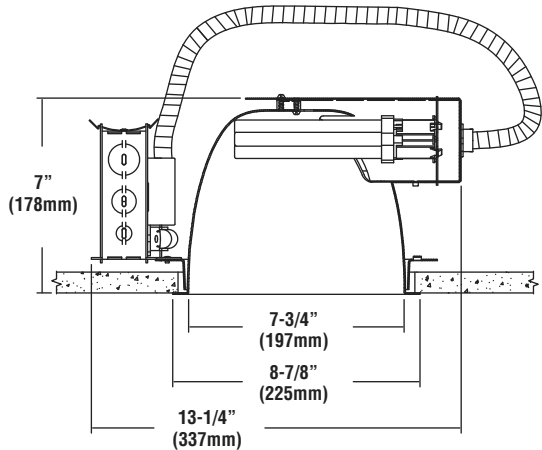


208HCFL



Alzak® is a registered trademark of the Aluminum Company of America.

DIMENSIONS ROUGH IN: 8-1/2" (216mm)

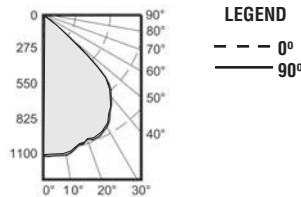


PRODUCT HIGHLIGHTS

- Premium quality open reflector with a variety of baffle options & decorative accessories.
- .050" spun aluminum reflector available in low-iridescent Alzak® or painted finishes. White self-trim flange.
- Horizontal orientation provides medium beam spread for even illumination and optimum cutoff.
- Computer-aided design optimizes visual comfort, efficiency and distribution.

CONSTRUCTION - Frame-in housing constructed of galvanized heavy gauge steel with adjustable yoke to retain reflector. Socket housing made of die formed galvanized steel.

CANDLEPOWER DISTRIBUTION



LSI File No.: 208HCFL-226W QUAD.ies
 Fixture: 208CFLH-226W CFL Quad-UNIV
 Lamps: (2) 26W CFL Quad each rated 1800 lumens
 Efficiency: 55.7%

LUMINANCE DATA (cd/sq.m)

Angle In Degrees	Average 0-Deg	Average 45-Deg	Average 90-Deg
45	11923	13565	15399
55	645	516	430
65	67	67	67
75	0	24	24
85	0	0	27

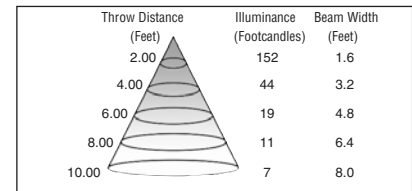
ELECTRICAL - Ballasts are Class P, solid state electronic, universal voltage (120V thru 277V) with end-of-life shutdown protection.

MOUNTING - Minimized overall housing dimensions simplify installation and access to junction box. Butterfly brackets accept 27" or 52" C-Channels, nailer bars or EMT conduit. Accommodates ceilings up to 2" thick.

PHOTOMETRICS - Please visit our web site at www.lsi-industries.com for detailed photometric data.

LISTING - UL listed to U.S. and Canadian safety standards. Non-IC rated. Suitable for damp locations. Listed for use with thru wiring. IBEW Union made in the U.S.A.

CONE OF LIGHT Beam Spread 44° Max. CP 1,145



CO-EFFICIENT OF UTILIZATION

Effective Floor Cavity Reflectance 0.20

RC	80	70	50	30	10	0												
RW	70	50	30	10	50	30	10	50	30	10	0							
0	66	66	66	65	65	65	62	62	59	59	57	57	57	56				
1	63	61	59	58	61	60	58	57	57	56	55	54	54	53	53	52	51	
2	59	56	53	51	58	55	52	50	53	51	49	51	50	48	50	48	47	46
3	55	51	48	45	54	50	47	45	49	46	44	47	45	43	46	44	43	42
4	52	47	43	40	51	46	43	40	45	42	39	44	41	39	42	40	38	38
5	48	43	39	36	47	42	39	36	41	38	35	40	37	35	39	37	35	34
6	45	39	35	32	44	39	35	32	38	35	32	37	34	32	36	34	32	31
7	42	36	32	29	41	36	32	29	35	32	29	34	31	29	34	31	29	28
8	40	33	29	27	39	33	29	27	32	29	27	32	29	26	31	28	26	25
9	37	31	27	24	37	31	27	24	30	27	24	29	26	24	29	26	24	23
10	35	29	25	22	34	28	25	22	28	25	22	27	24	22	27	24	22	21

LUMINAIRE ORDERING INFORMATION

TYPICAL ORDER EXAMPLE: **208H CFL 2 32T UNIV EB C27**

Luminaire Prefix	Light Source	Lamp Quantity	Rated Wattage	Line Voltage	Options	Field Installed Accessories
208H	CFL- Compact Fluorescent	1 or 2	13 Q 18 Q 26 Q 18 T 26 T 32 T 42 T	UNIV - Universal	DB - Dimming Ballast* EB - Emergency Battery Pack EBHL - Emergency Battery Pack High Lumen FUS - Fuse 347 - 347 Volt Operation	C27 - 27" Channel Bars (pair) C52 - 52" Channel Bars (pair) NB - Nailer Bar Kit (set of 4) SCIK - Suspended Ceiling Installation Kit (set of 4 bars and 4 grid clips)

* See Price Guide for available dimming ballasts

TYPICAL ORDER EXAMPLE: **208H CL WW E**

Reflector	Finish	Baffle	Emergency	
208H	CL - Clear Semi Specular CM - Clear Matte GD - Champagne Gold Semi Specular WH - White	PR - Pewter Semi Specular WT - Wheat Semi Specular BZ - Bronze Semi Specular	BBF - Black WBF - White (baffle option available with clear semi-specular only)	E - Emergency indicator / Test Switch Mounting Hole (Use only with EB option)

03/30/10

© 2010 LSI INDUSTRIES INC.

Project Name _____ Fixture Type _____
 Catalog # _____

