

6" VERTICAL FLUORESCENT - OPEN & BAFFLED

206VCFL

PRODUCT HIGHLIGHTS

- Premium quality open reflector with a variety of baffle options & decorative accessories.
- .050" spun aluminum reflector available in low-iridescent Alzak® or painted finishes. White self-trim flange.
- Vertical orientation provides medium beam spread for even illumination at higher ceiling heights or added punch at lower heights.
- Computer-aided design optimizes visual comfort, efficiency and distribution.
- Socket adjustable from below ceiling without tools.

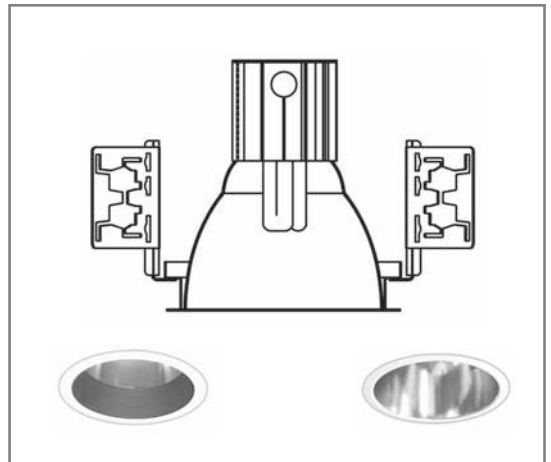
CONSTRUCTION - Frame-in housing constructed of galvanized heavy gauge steel. Socket housing made of extruded aluminum.

ELECTRICAL - Ballasts are Class P, solid state electronic, universal voltage (120V thru 277V) with end-of-life shutdown protection.

MOUNTING - Minimized overall housing dimensions simplify installation and access to junction box. Butterfly brackets accept 27" or 52" C-Channels, nailer bars or EMT conduit. Accommodates ceilings up to 1" thick.

PHOTOMETRICS - Please visit our web site at www.lsi-industries.com for detailed photometric data.

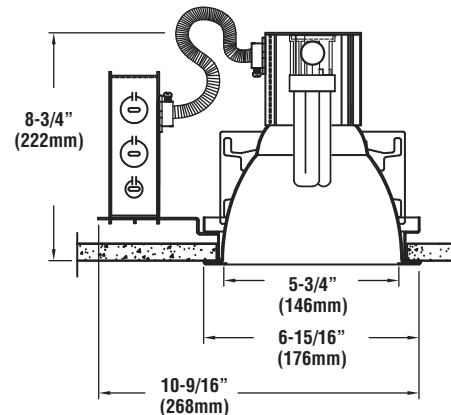
LISTING - UL listed to U.S. and Canadian safety standards. Non-IC rated. Suitable for damp locations. Listed for use with thru wiring. IBEW Union made in the U.S.A.



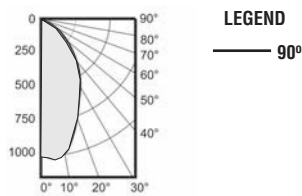
Alzak® is a registered trademark of the Aluminum Company of America.



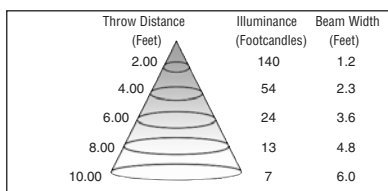
DIMENSIONS **ROUGH IN: 6-3/8" (162mm)**



CANDLEPOWER DISTRIBUTION



CONE OF LIGHT



LSI File No.: 206VCFL-142.ies
 Fixture: 206VCFL-142W Triple-UNIV
 Lamps: (1) 42W CFL Triple rated 2400 lumens
 Efficiency: 44.6%

LUMINANCE DATA (cd/sq.m)

Angle In Degrees	Average 0-Deg	Average 45-Deg	Average 90-Deg
45	24786	24243	24786
55	17474	17283	17474
65	4017	4536	4017
75	1481	2539	1481
85	3770	6912	3770

CO-EFFICIENT OF UTILIZATION

Effective Floor Cavity Reflectance 0.20

RC	80	70	50	30	10	0
RW	70 50 30 10	0 50 30 10	50 30 10	50 30 10	50 30 10	0
0	53 53 53 53	52 52 52 52	50 50 50	47 47 47	46 46 46	45
1	50 48 47 46	49 47 46 45	46 44 44	44 43 42	42 42 41	40
2	47 44 41 40	45 43 41 39	41 40 38	40 39 37	39 38 37	36
3	43 40 37 35	42 39 36 34	38 36 34	37 35 33	36 34 33	32
4	40 36 33 31	40 36 33 30	35 32 30	34 31 30	33 31 29	28
5	38 33 30 27	37 33 29 27	32 29 27	31 29 27	30 28 26	26
6	35 30 27 25	35 30 27 25	29 26 24	28 26 24	28 26 24	23
7	33 28 25 22	32 28 24 22	27 24 22	26 24 22	26 24 22	21
8	31 26 23 20	30 26 22 20	25 22 20	25 22 20	24 22 20	19
9	29 24 21 19	29 24 21 19	23 21 19	23 20 18	22 20 18	18
10	28 22 19 17	27 22 19 17	22 19 17	21 19 17	21 19 17	16

LUMINAIRE ORDERING INFORMATION

TYPICAL ORDER EXAMPLE: **206V CFL 1 32T UNIV EB C27**

Luminaire Prefix	Light Source	Lamp Quantity	Rated Wattage	Line Voltage	Options	Field Installed Accessories
206V	CFL- Compact Fluorescent	1 1 1 1 1	13 T 18 T 26 T 32 T 42 T	UNIV - Universal	DB - Dimming Ballast*	C27 - 27" Channel Bars (pair)

* See Price Guide for available dimming ballasts

TYPICAL ORDER EXAMPLE: **206V CL BBF E**

Reflector	Finish	Baffle	Emergency
206V	CL - Clear Semi Specular CM - Clear Matte GD - Champagne Gold Semi Specular WH - White	PR - Pewter Semi Specular WT - Wheat Semi Specular BZ - Bronze Semi Specular	BBF - Black WBF - White (baffle available with clear semi-specular only)
			E - Emergency indicator / Test Switch Mounting Hole (Use only with EB option)

03/30/10

Project Name _____ Fixture Type _____

Catalog # _____